

Enhancing life safety
at every fire door



FRONTIER

Entrance door hardware collection



rutlanduk.co.uk

OUR MISSION IS TO

Enhance life safety at every fire door

Welcome to the Frontier Collection of dual tested and colour suited entrance door hardware from Rutland.

Rutland develops, produces and supplies first-rate fire door hardware which has been used for over 20 years in apartment entrance doorsets from social housing apartments, to high-end residential projects.

It's especially critical in apartments to get fire, security and smoke door control right. This is particularly important where people are known to be sleeping, vulnerable or less able.

We also advise and inform on best practice and take part in conversations in the industry on how to make buildings safer, because life is important for all of us. Specific advice around common problems with front entrance door control is provided at the end of this brochure.

If you can't find what you're looking for, do get in touch, we would be happy to hear from you.



It's a fine line between
safety and tragedy



**It's worth
getting it right**





Locks

Page 6



Letterplates

Page 9



Lever Handle

Page 10



Door Viewer

Page 11



Door Knockers

Page 12



Door Chain

Page 14



Door Numerals & Letters

Page 15



Fire & Security Hinges

Pages 16-17



Door Closers

Pages 18-27

Scan the code to view our complete door closer range



Entrance door hardware advice, regulations & Guidance

Pages 28-35

FRONTIER | ENTRANCE DOOR
HARDWARE COLLECTION

Multipoint Lock



Adjustable Keeps.

RMP3 Multipoint Lock



Rutland RMP3 Multipoint Lock provides solutions for doorset manufacturers from it's non-handed lock and keeps, to all 3 keeps being adjustable for ease of installation and self-closing, through to auto locking for ease of use by residents. Supported by Police SBD, the RMP3 multipoint lock is successfully tested for fire, smoke, PAS 24 security, BS6375 weather, repeated opening and closing and strength tests.



Guarantee



FD30 / FD60



PAS24

Finishes



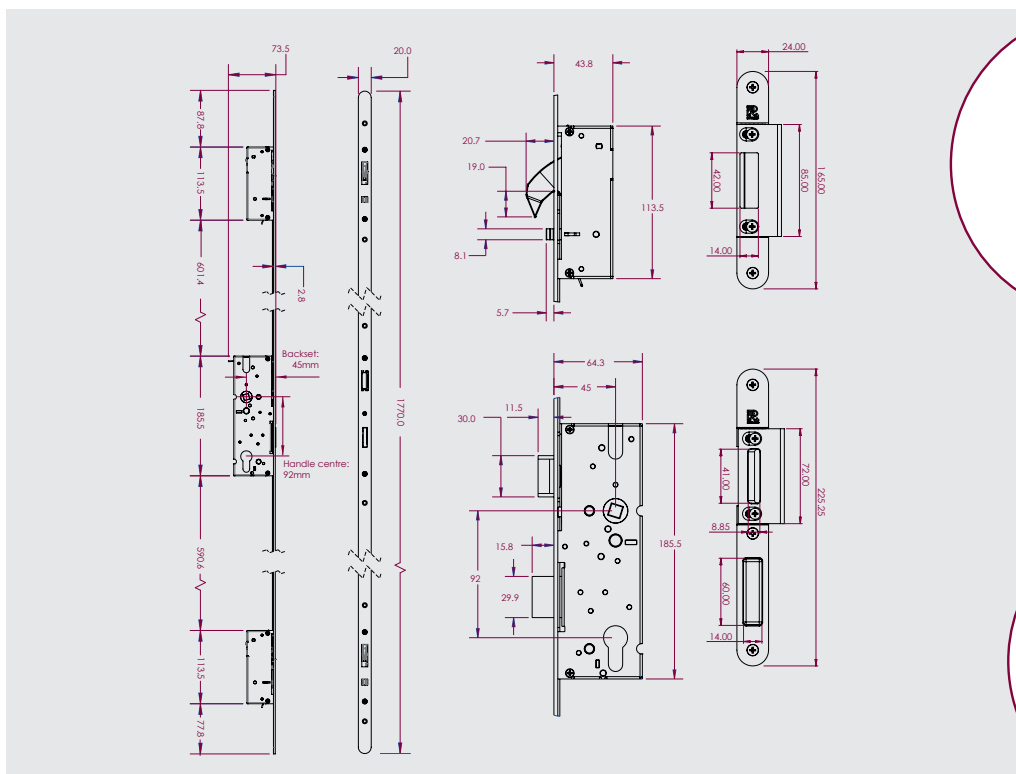
SNP
Satin Nickel



Product Features

3 locking points	✓
45mm Backset	✓
Automatic locking (no need to lift handle)*	✓
Universal non-handed	✓
Adjustable centre keep	✓
Adjustable top and bottom keeps	✓
Compliance - Certification & Testing	
Fire tested BS EN 1634-1 30 mins**	✓
Smoke tested BS EN 1634-3**	✓
Security tested PAS 24**	✓
Weather tested BS 6375-1**	✓
Repeated opening & closing BS 6375-2**	✓
Strength tested BS 6375-3**	✓
Durability tested 200,000 cycles	✓
Corrosion tested 240 hours Grade 5 BS EN 1670	✓
Police Secured by Design (SBD) Preferred Specification	✓

*Achieve full locking with thumbturn or key
 ** Tested as a safety critical component within both timber
 ***When used on fire doors must use IP.RMP3 intumescent kit



Description	Re-order Code	Product Code	Box Qty
Multipoint Lock Universal 1720/45 SSS	10800	RMP3.1720.4.S	10
Centre Keep for RMP3 Lock Universal Radius Ends Silver	10801	RMP.3.KCR.PNP	10
Top/Bottom Keep for RMP3 Lock Universal Radius ends Silver	10799	RMP3.KTBR.SS	10
Intumescent Kit for RMP3 Multipoint Lock***	10802	IP.RMP3	10

FRONTIER | ENTRANCE DOOR
HARDWARE COLLECTION

TS008 Letterplate



TS008 Letterplate

Rutland's RLP Letterplate is a top-end, slim profile fire & security letterplate and as part of the Frontier Collection is colour suited to Rutland's Door Closers and other entrance door hardware finishes. Simple one-tool, one-cut CNC routing pattern saves machining and fitting time.



Guarantee



FD30



TS008:2022



PAS24

Product Features

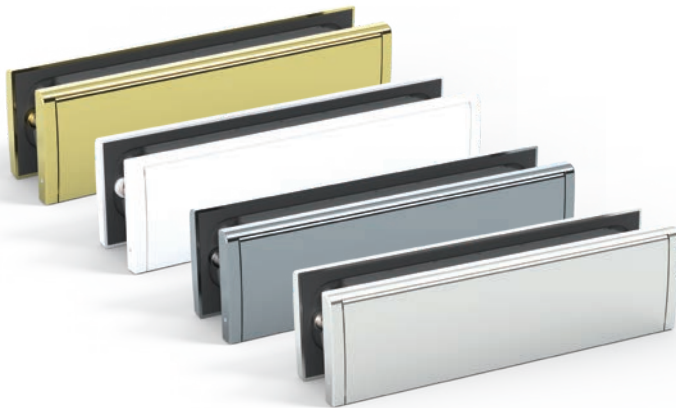
Slim profile design	✓
One tool CNC aperture cut	✓
Adjustable for 44mm to 54mm thick door	✓
Internal fixings for security	✓
Internal plate projection 14mm	✓
External plate projection 15mm	✓
Registered design	✓

Compliance - Certification & Testing

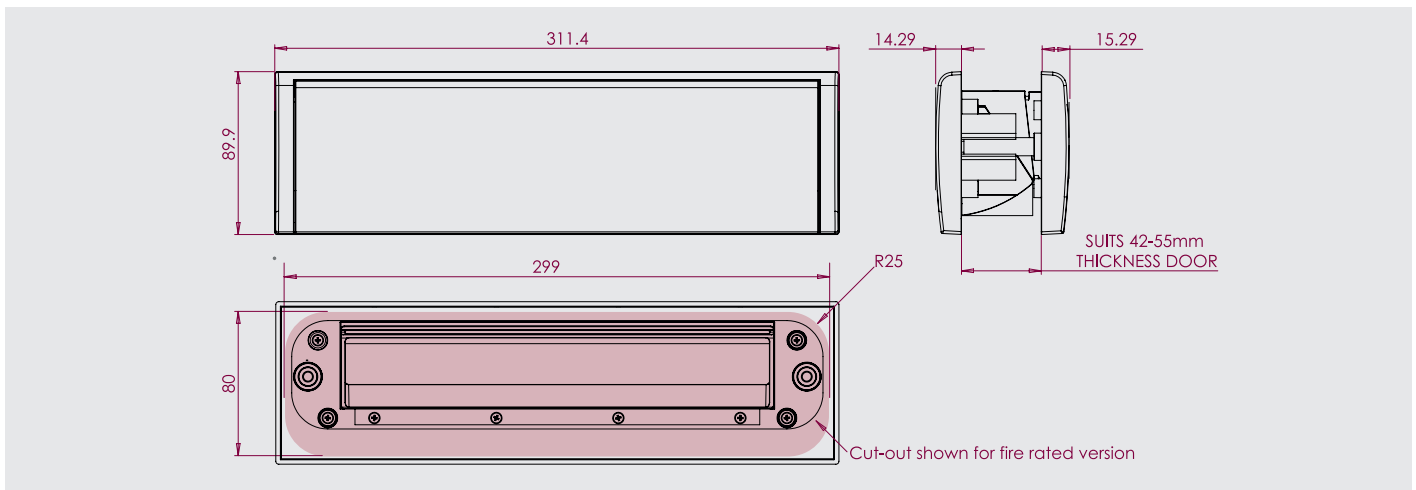
TS008:2022 Enhanced security tested	✓
TS008:2022 Cycle tested to 20,000 cycles	✓
TS008:2022 Kitemark third-party certificated	✓
PAS 24 tested (assists compliance with ADQ)*	✓
TS008:2022 Corrosion tested 240 hours grade 4, and 480 hours grade 5 (powder coated) to BS EN 1670	✓
Police Secured by Design (SBD) Preferred Specification	✓

* Tested as a safety critical component within timber doorset & composite doorset

** For fire doors must use RLP.IP intumescent kit



Finishes



Description	Finish	Re-order Code	Product Code	Box Qty
TS008 Letterplate	Polished Nickel	10836	RLP.PNPPNP	10
	Polished Nickel External / White Internal	10837	RLP.PNPWH	10
	Satin Nickel	10841	RLP.SNPSNP	10
	Polished Brass	10838	RLP.PBPB	10
	White	10840	RLP.WHWH	10
Intumescent Kit**		10854	RLP.IP	10

Lever Handle

Part of the Frontier Collection, the Rutland RH.RLB door handle is external grade and designed to assist BS8300 (formerly DDA).



5
YEARS

Guarantee

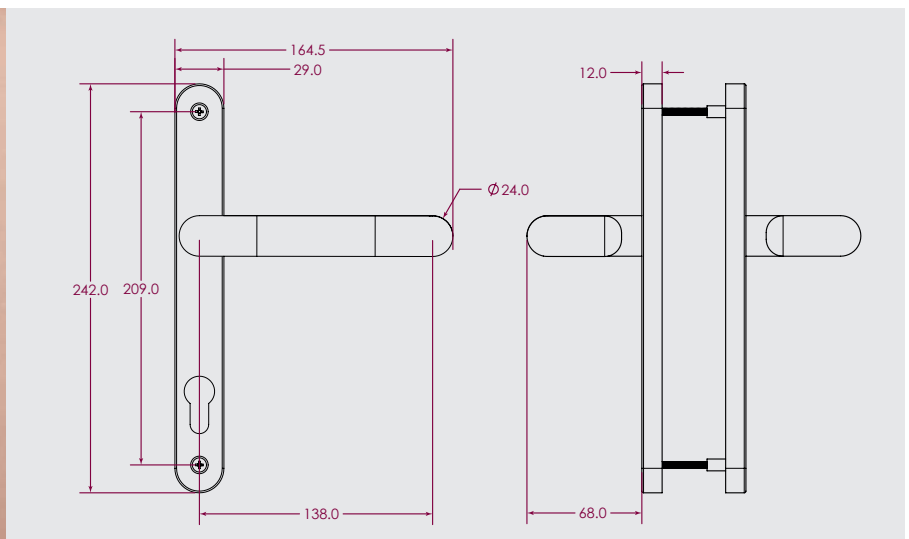
Product Features

Assists BS8300 (formerly DDA)	✓
Comfort grip	✓
242mm backplate	✓
Guarantee 5 years (coating)	✓
Compliance - Certification & Testing	
Fire tested to BS EN 1634-1	✓
BS EN 1906:2012 Corrosion tested to BS EN 1670	✓
Security*	-
*Tested on doorset to PAS 24 with 3-star security cylinder	

EN1906 : 2012 Classification

Category of use	3
Durability	7
Door Mass	N/A
Fire Resistance	B
Safety	0
Corrosion Resistance	3
Security	0
Type of operation	A

Finishes



Description	Finish	Re-order Code	Product Code	Box Qty
Lever Handles	Polished Nickel	10830	RH.RLB.PNP	10
	Satin Nickel	10834	RH.RLB.SNP	10
	Polished Brass	10832	RH.RLB.PB	10
	White	10833	RH.RLB.WH	10

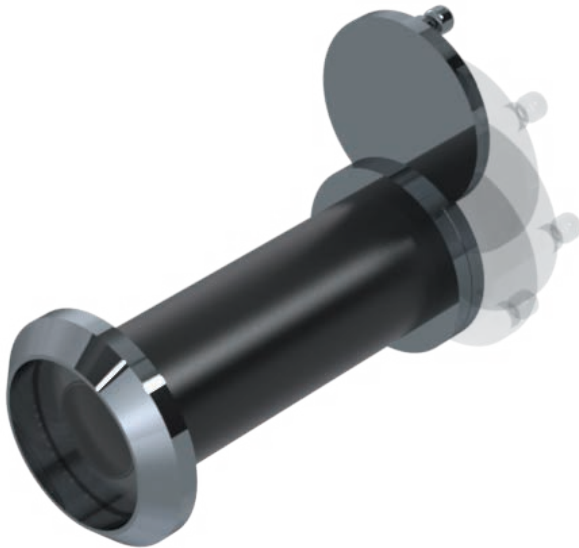
Door Viewer



Rutland fire and security tested Door viewers are safety critical morticed components of the front entrance fire door. From a security aspect, the wide-angle viewer is used to check who is the other side of an apartment door before opening. From a fire safety perspective they are fire and smoke tested to the requirements of TS002:2009.



Guarantee



Product Features

Adjustable for Door thickness 41 to 74mm	✓
Wide angle vision 140°	✓
Supplied with pre-applied intumescent as standard	✓
Privacy cover	✓
Core diameter 14mm dia	✓
Patented design for fire integrity	✓
Mortice cut 18mm dia	✓

Compliance - Certification & Testing

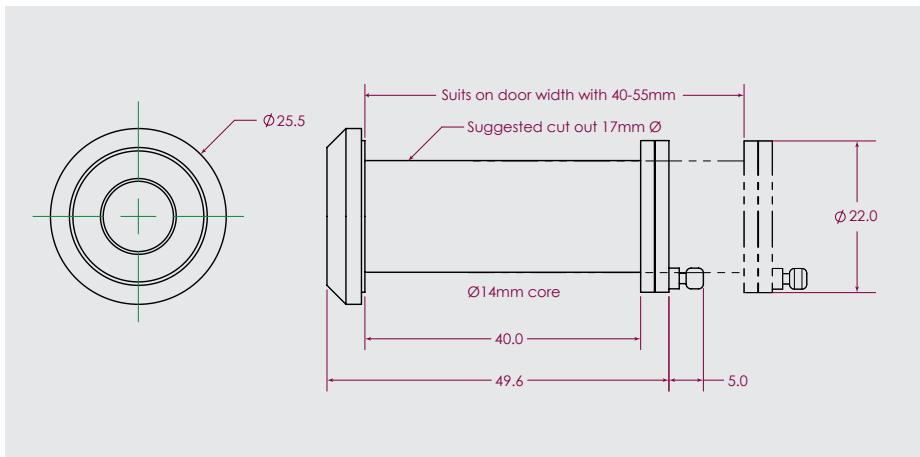
Tested to DHF TS002:2009	✓
Fire tested BS EN 1634-1*	✓
Smoke tested BS EN 1634-3*	✓
Corrosion resistance BS EN 1670	Grade 5
Police Secured by Design (SBD) Preferred Specification	✓

*Tested as named component in Timber Doorset
**Door viewer to be ordered separately

TS 002 : 2009 Classification

Category of use	N/A
Durability	N/A
Door Mass	N/A
Fire Resistance	B
Safety	N/A
Corrosion Resistance	5
Security	1
Type of operation	41/74

Finishes



Description	Finish	Re-order Code	Product Code	Box Qty
Door Viewer	Polished Nickel	10827	RH.DV.PNP	150
	Satin Nickel	10828	RH.DV.SNP	150
	Polished Brass	10829	RH.DV.PB	150

Door Knocker With Viewer

Rutland Door Knocker with Viewer hole has been through dual testing from fire through to repeated opening and closing using Rutland TS002 RH.DV Door Viewer*. Comes with matching colour fixing screws providing more durable hold than self-adhesive door knockers.



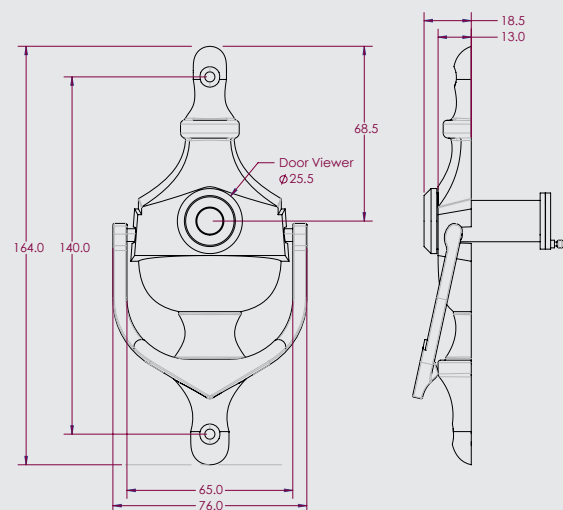
10
YEARS

Guarantee

Product Features

Victorian urn design	✓
Colour matched fixings	✓
10 year guarantee	✓
Compliance - Certification & Testing	
TS 002:2009	✓
Fire tested to BS EN 1634-1*	✓
Smoke tested BS EN 1634-3*	✓
Weather tested to BS 6375-1*	✓
Repeated opening & Closing BS6375-2*	✓
Corrosion tested to BS EN 1670	Grade 5
*Tested as named component in Timber Doorset	

Finishes



Description	Finish	Re-order Code	Product Code	Box Qty
Door Knocker with Viewer	Polished Nickel	10826	RH.DKDV.PNP	60
	Satin Nickel	12694	RH.DKDV.SNP	60
	Polished Brass	12695	RH.DKDV.PB	60

Door Knocker

Rutland is a classic urn Door Knocker has been through dual testing from fire through to repeated opening and closing. Comes with matching colour fixing screws providing more durable hold than self-adhesive door knockers.


10
YEARS

Guarantee

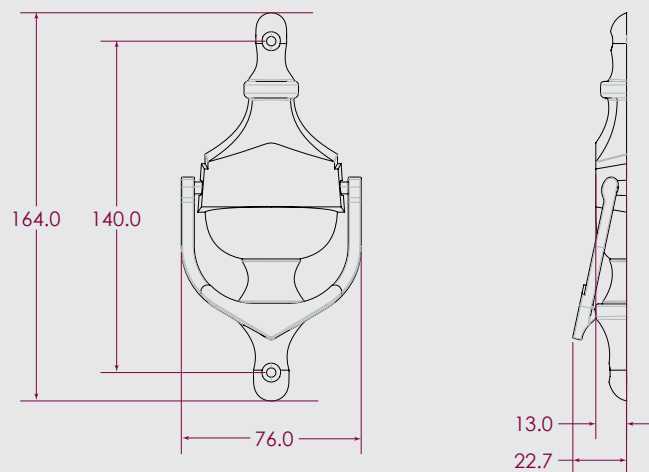
Product Features

Victorian urn design	✓
Colour matched fixings	✓
10 year guarantee	✓

Compliance - Certification & Testing

Fire tested to BS EN 1634-1*	✓
Smoke tested BS EN 1634-3*	✓
Weather tested to BS 6375-1*	✓
Corrosion tested to BS EN 1670	Grade 5

*Tested as named component in Timber Doorset

Finishes


Description	Finish	Re-order Code	Product Code	Box Qty
Door Knocker	Polished Nickel	10803	RH.DK.PNP	100
	Satin Nickel	10823	RH.DK.SNP	100
	Polished Brass	10824	RH.DK.PB	100
	White	10825	RH.DK.WH	100

Heavy Duty Door Chain



Rutland heavy duty TS003 door chain is made form steel and enables you to identify a visitor before the door is fully released. Pull strength exceeds 200kg (2kN) force.



Guarantee



FD30 Pending



TS003:2012



PAS24



Product Features

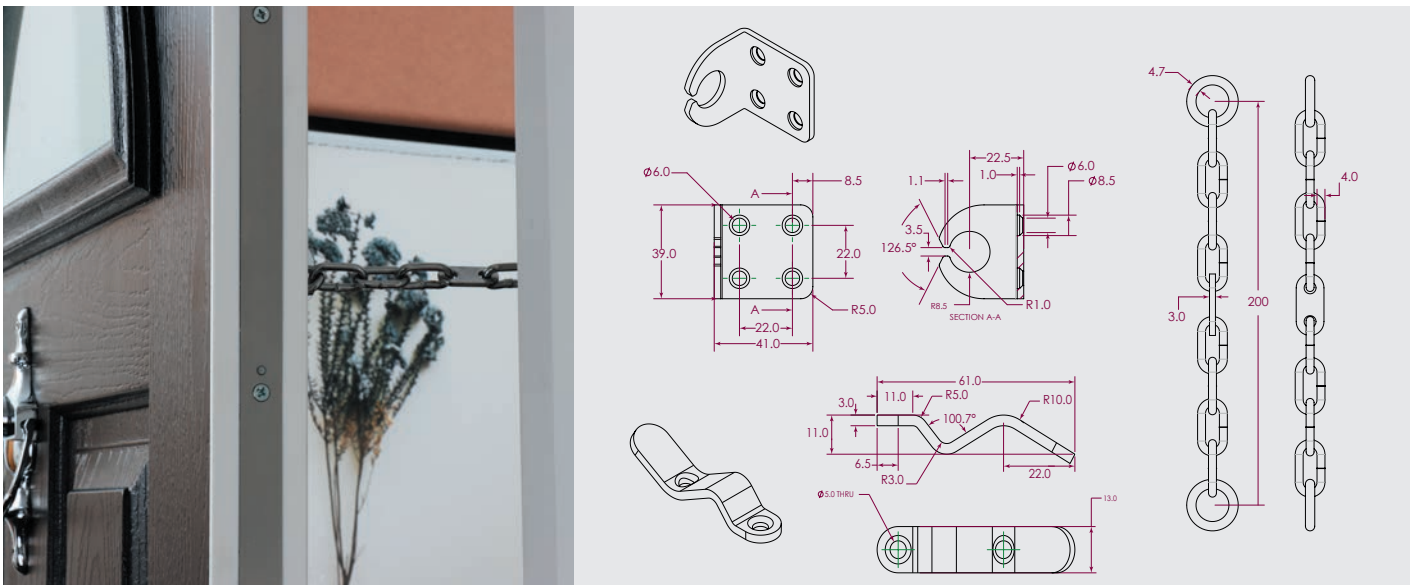
Easy to install	✓
Easy to use	✓
Material	Steel
Suitable for timber doorsets	✓
Restraint against forced attack	✓
Pull strength	200kg (2kN)

Compliance - Certification & Testing

BS EN 1634-1 fire tested*	✓
BS EN 1634-3 smoke tested*	✓
TS 003:2012 (tested in accordance with)	✓
SBD (Secured by Design)	✓

*Tested as named component on timber doorset

Finishes



Description	Finish	Re-order Code	Product Code	Box Qty
Heavy Duty Door Chain	Polished Nickel	10821	RH.SC.PNP	10
	Satin Nickel	10847	RH.SC.SNP	10
	Polish Brass	10848	RH.SC.PB	10

Door Numerals & Letters

Rutland 75mm Door numerals and letters can be an important way to identify properties both for visitors, emergency services, but also for traceability in identification records, fire door installation, maintenance and repair.



Guarantee



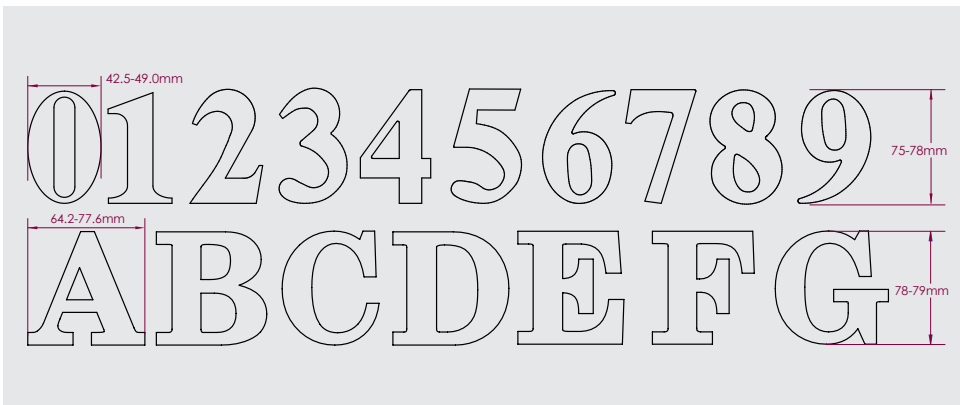
Product Features

Stainless steel	✓
Height	75mm
Thickness	0.6mm
Self-adhesive for easy application	✓
Font	Times Roman
A-G	✓
0-9	✓
10 year guarantee on finishes	✓
Compliance - Certification & Testing	
Corrosion resistance BS EN 1670	480 Hours, Grade 5

Finishes



PNP
Polished Nickel



Number	Re-order Code	Product Code	Box Qty
0	10804	RH.DNSA.0.PNP	10
1	10805	RH.DNSA.1.PNP	10
2	10806	RH.DNSA.2.PNP	10
3	10807	RH.DNSA.3.PNP	10
4	10808	RH.DNSA.4.PNP	10
5	10809	RH.DNSA.5.PNP	10
6	10810	RH.DNSA.6.PNP	10
7	10811	RH.DNSA.7.PNP	10
8	10812	RH.DNSA.8.PNP	10
9	10813	RH.DNSA.9.PNP	10

Letter	Re-order Code	Product Code	Box Qty
A	10814	RH.DLSA.A.PNP	10
B	10815	RH.DLSA.B.PNP	10
C	10816	RH.DLSA.C.PNP	10
D	10817	RH.DLSA.D.PNP	10
E	10818	RH.DLSA.E.PNP	10
F	10819	RH.DLSA.F.PNP	10
G	10820	RH.DLSA.G.PNP	10

Fire & Security Hinges



Guarantee



Max Door Weight



Product Features

Suitable for use with back check door closers	✓
Welded button tip	✓
Height	102mm
Thickness	3mm
Material - Stainless Steel	Grade 201

Compliance - Certification & Testing

BS EN 1935 : 2002	✓
EN 1935	✓
EN 1634	✓
BS 476	✓
CE marked	✓

Fire Doors

Intumescent MUST be used on fire doors – please enquire for latest testing details.

Finishes



SS
Satin Stainless

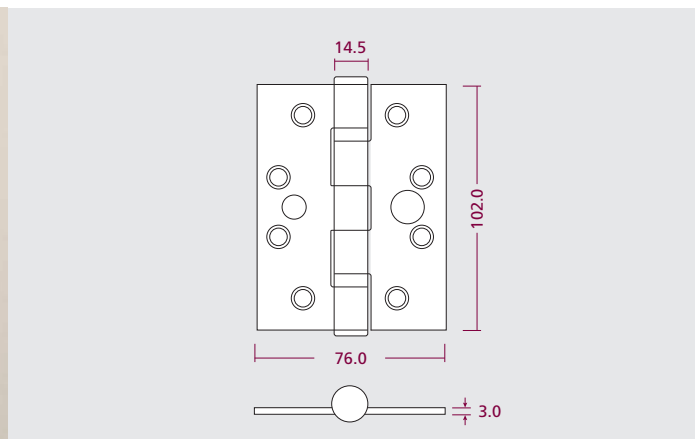
Styles



Square (SQ)



Radius (R)



Description	Finish	Re-order Code	Product Code	Box Qty
Dog Bolt Security Hinge	Stainless Steel - Square	50339	RH.DBSH.34.SSS	40
	Stainless Steel - Radius	50340	RH.DBSH.34.SSR	40
Hinge Pad Intumescent Kit for 102x76mm Square or Radius (Singles)		12682	IP.HP43	500

Fire & Security Hinges

SPÅRKA Grade 13 ball bearing hinges are suitable for all heavy and wide doors - including high traffic fire doors. For door weights up to 120kg. All SPÅRKA hinges are packed with screws for ease of purchase and to get doors hung faster. Ideal for hanging doors prior to other ironmongery and final door decorations.

10 YEARS

Guarantee



SPÅRKA

Finishes



Product Features

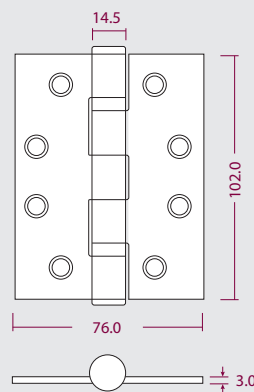
Suitable for use with back check door closers	✓
Welded button tip	✓
Height	102mm
Thickness	3mm
Material - Stainless Steel	Grade 201

Compliance - Certification & Testing

BS EN 1935 : 2002	✓
EN 1935	✓
EN 1634	✓
BS 476	✓
CE marked	✓
Certifire	✓

Fire Doors

Intumescent **MUST** be used on fire doors – please enquire for latest testing details.



Size	Intumescent	Finish	Package Type	Product Code	Box Qty
102x76x3mm	No	Satin Stainless Steel	Retail Box	HG1012.SSS	12
102x76x3mm	Yes	Satin Stainless Steel	Retail Box	HG1025.SSS	12
102x76x3mm	No	Satin Stainless Steel	Retail Bag	HG1013.SSS	3
102x76x3mm	Yes	Satin Stainless Steel	Retail Bag	HG1026.SSS	3
102x76x3mm	No	Polished Stainless Steel	Retail Bag	HG1013.PSS	3
102x76x3mm	No	Satin Stainless Steel	Trade Packed	HG1010.SSS	Single
102x76x3mm	No	Polished Stainless Steel	Trade Packed	HG1010.PSS	Single

Door Closers



SCISSOR ARM DOOR CLOSERS

TS.5204



Townlands Hospital – Henley on Thames

SCISSOR ARM DOOR CLOSERS

TS.5204

The TS.5204 is an easily adjustable and economical door closer that is power adjustable by spring, with back check as standard, and optional delayed action.

- Assists BS8300 meaning easy use for the less able.
- Available in Silver, Satin Nickel, Polished Nickel, Polished Brass Antique Brass and Black for next day delivery
- Universal application meaning it can be fitted in Standard, Parallel arm or Transom fitting position



3rd Party Certification



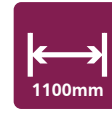
Opening Angle 180°



Two-Stage Speed Regulation



Guarantee



Max Door Width



Max Door Weight

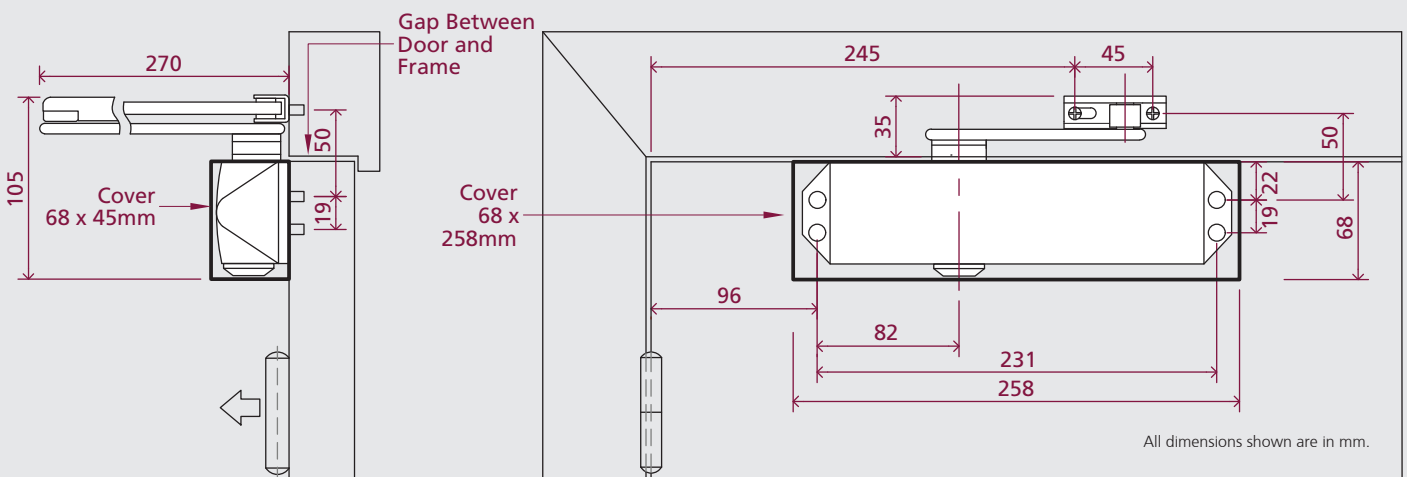


Finishes



Approved Product CF 6018

Product Features	TS.5204
Delayed Action	TS.5204DABC
Back Check	TS.5204BC
Opening Angle	180°
Fig.1 Pull Side Door Width	360-1100mm
Fig.66 Push Side Door Width	485-985mm
Fig. 1 BS8300 Door Width	920mm
Fig.66 BS8300 Door Width	887mm
Max Door Weight	<80kg
Power Adjustment	By Spring
Hold Open (not for fire doors)	o
Dimensions (including cover)	W258 x H68 x D45mm
Certification Compliance	
Certifire	✓
UKCA	✓
CE	✓
BS EN 1154	✓
BS EN 1634	✓
UL10C	✓
UL228	✓
ANSI BHMA	-
IFCC	✓
EPD 3.09E+01 kg CO ₂ eq	✓
Key: ✓ Yes - No o Option	



For fitting instructions see website

SCISSOR ARM DOOR CLOSERS

TS.9205



SCISSOR ARM DOOR CLOSERS

TS.9205

Designed to last, the TS.9205 is a popular and highly efficient door closer with both optional back check and delayed action, and assisting BS8300.

- Power Adjustable EN2-5.
- 15 Finishes available for next day delivery, including an anti-corrosion Marine316.
- Slimline body & cover with only 40mm projection.
- EN2-5 parallel arm an optional using short parallel arm basket (Product Code: PAB.1)



3rd Party Certification



Opening Angle 180°



Two-Stage Speed Regulation



Guarantee



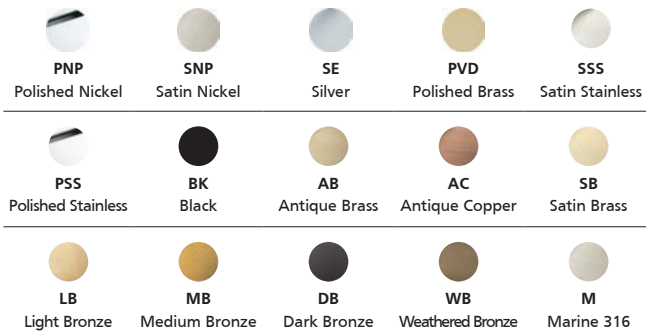
Max Door Width



Max Door Weight

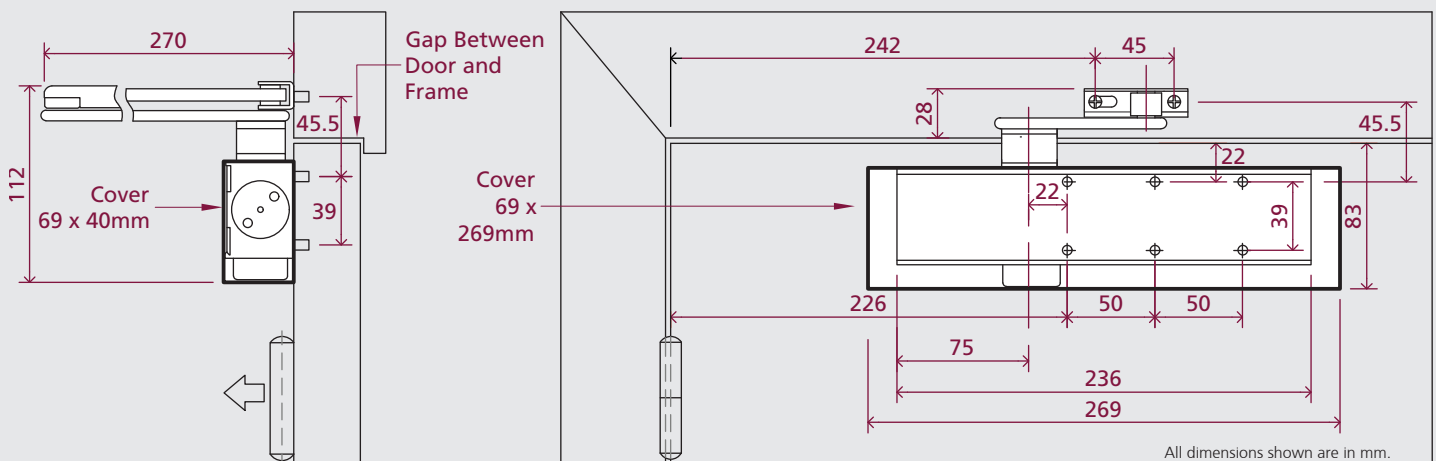


Finishes



Product Features	TS.9205
Delayed Action	✓
Back Check	✓
Opening Angle	180° (Fig 1)
Fig.1 Pull Side Door Width	390-1250mm
Fig.66 Push Side Door Width	390-1100mm
Fig.1 BS8300 Min Door Width	835mm
Fig.66 BS8300 Min Door Width	728mm
Max Door Weight	<110kg
Power Adjustment	By Spring
Hold Open (not for fire doors)	◦
Dimensions (including cover)	W269 x H69 x D40mm
Certification Compliance	
Certifire	✓
UKCA	✓
CE	✓
BS EN 1154	✓
BS EN 1634	✓
UL10C	✓
UL228	✓
ANSI BHMA	-
IFCC	✓
EPD 3.09E+01 kg CO ₂ eq	✓

Key: ✓ Yes - No ◦ Option



For fitting instructions see website

Door Closers



SLIDE ARM DOOR CLOSERS

TS.11204



SLIDE ARM DOOR CLOSERS

TS.11204

Being renowned for its high efficiency and ease of opening with a cam action mechanism, the TS.11204 is a Certifire approved door closer for both push and pull side applications. This surface fixed slide arm door closer has a slimline projection of only 39mm, and is power adjustable by spring, power size 2-4.

- Universal fitting – can be fitted in pull-side, push-side or transom fitting position
- Option of Square (Satin Nickel only) or Semi-Radius cover
- Available in Silver, Satin Nickel, Polished Nickel, Polished Brass, Black & Antique Brass for next day delivery



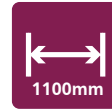
3rd Party Certification



Opening Angle 110°



Two-Stage Speed Regulation



Max Door Width 1100mm



Max Door Weight 80Kg



Guarantee



Assists BS8300



Square Cover (SQ)

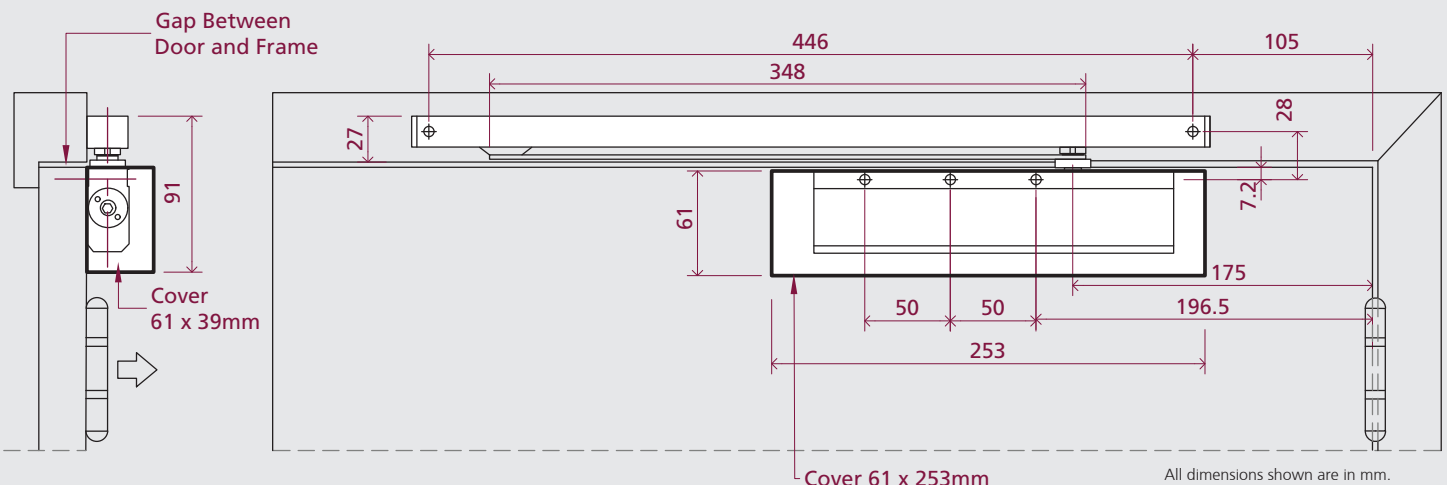


Semi Radius Cover (SR)

Finishes



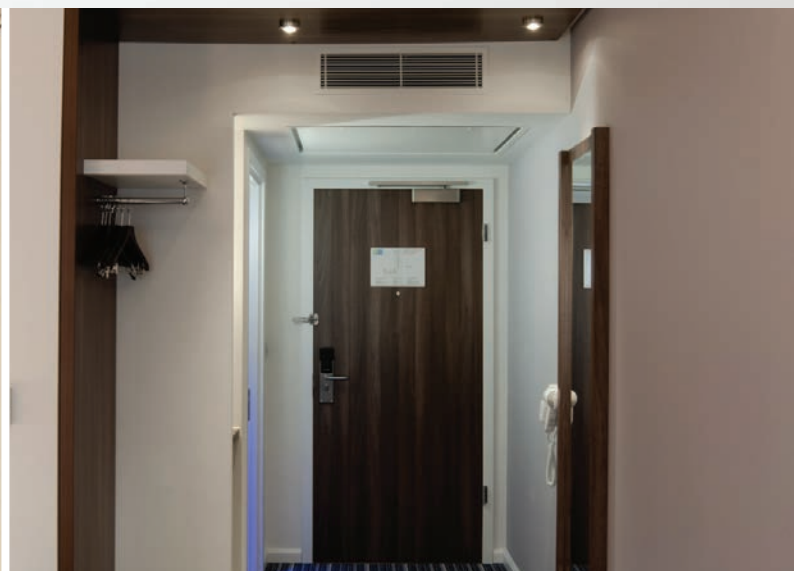
Product Features	TS.11204
Delayed Action	-
Back Check (Cushion stop available)	-
Opening Angle	110°
Fig.1 Pull Side Door Width	575-1100mm
Fig.66 Push Side Door Width	575-1100mm
Fig.1 BS8300 Min Door Width	857mm
Max Door Weight	<80kg
Power Adjustment	By Spring
Hold Open (not for fire doors)	-
Dimensions (including cover)	W253 x H61 x D39mm
Certification Compliance	
Certifire	✓
UKCA	✓
CE	✓
BS EN 1154	✓
BS EN 1634	✓
UL10C	-
UL228	✓
ANSI BHMA	-
IFCC	✓
EPD 3.09E+01 kg CO ₂ eq	✓
Key: ✓ Yes - No ◦ Option	



For fitting instructions see website

SLIDE ARM DOOR CLOSERS

TS.11205



SLIDE ARM DOOR CLOSERS

TS.11205

The Rutland Certifire approved TS.11205 Cam Action door closer gets the perfect balance between ease of opening for the less able whilst having enough power to close doors up to 1250mm wide and 110kg, making it ideal for contracts where requirements include meeting Doc M and BS8300 (or formerly DDA).

- Available with optional back check and delayed action
- Power Adjustable by spring, size 2-5
- Available in Silver, Satin Nickel, Polished Nickel, Polished Brass & Black for next day delivery



3rd Party Certification



Opening Angle 120°



Two-Stage Speed Regulation



Max Door Width



Max Door Weight



Guarantee



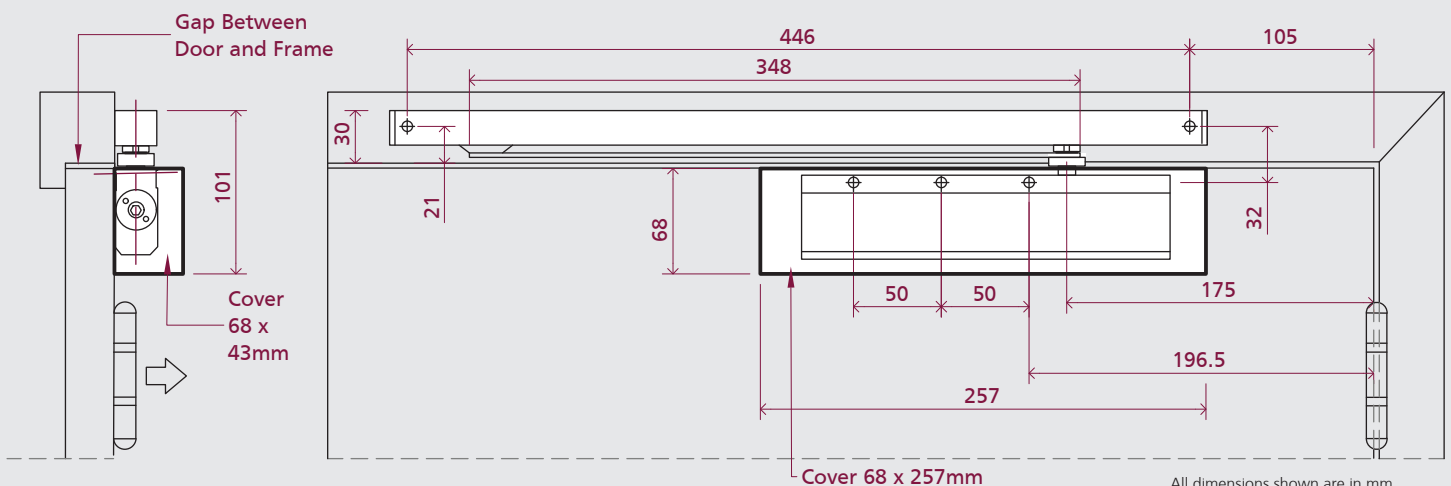
Assists BS8300



Finishes



Product Features	TS.11205
Opening Angle	120°
Fig.1 Pull Side Door Width	575-1250mm
Fig.66 Push Side Door Width	575-1250mm
Fig.1 BS8300 Min Door Width	EN3-757mm, EN4-743mm
Max Door Weight	<110kg
Power Adjustment	By Spring
Hold Open (not for fire doors)	o
Dimensions (including cover)	W257 x H68 x D43mm
Certification Compliance	
Certifire	✓
UKCA	✓
CE	✓
BS EN 1154	✓
BS EN 1634	✓
UL10C	-
UL228	✓
ANSI BHMA	-
IFCC	✓
EPD 3.09E+01 kg CO ₂ eq	✓
Key: ✓ Yes - No o Option	



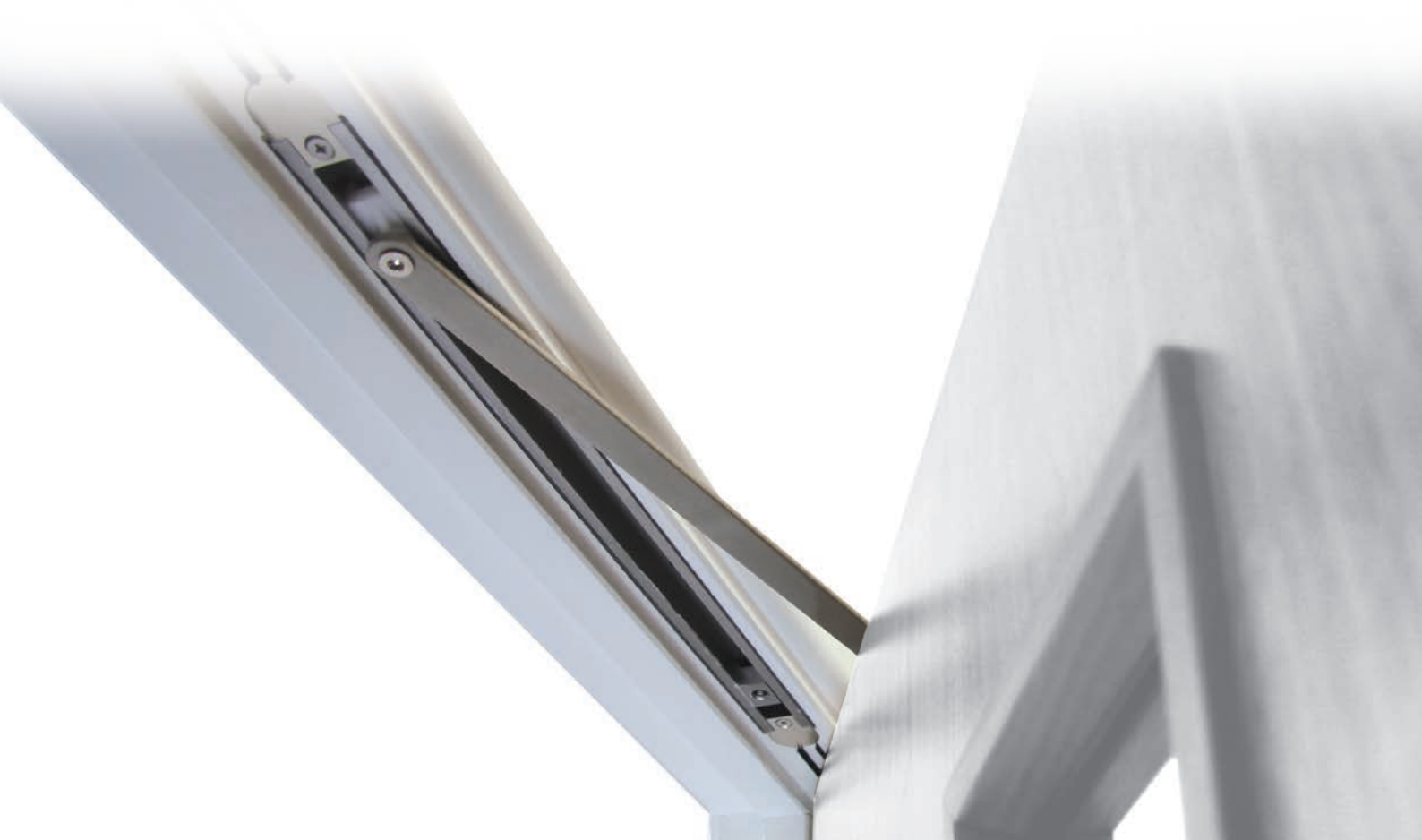
For fitting instructions see website

Door Closers



CONCEALED SLIDE ARM DOOR CLOSERS

ITS.11204



CONCEALED SLIDE ARM DOOR CLOSERS

ITS.11204

Renowned for its slimline mechanism (32mm body) and suitability for assisting BS8300 requirements, the Rutland ITS.11204 Cam Action door closer has been successfully fire tested numerous times in 44mm fire doors, making it a perfect door closer for situations where minimal aesthetics are required.

- Certifire Approved
- Power Adjustable by spring, size 2-4
- Suitable for both 44 and 54mm thick doors
- Available in Silver, Satin Nickel, Polished Nickel, Polished Brass & Antique Brass for next day delivery



3rd Party Certification



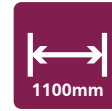
Opening Angle 110°



Two-Stage Speed Regulation



Guarantee



Max Door Width 1100mm



Max Door Weight 130Kg

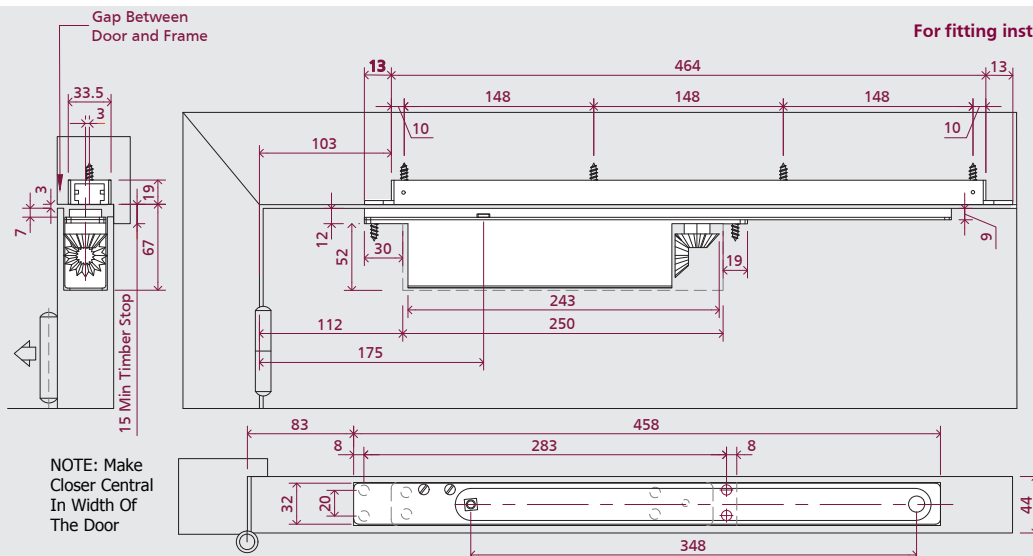


Intumescent kit (IP.114)

Finishes



Product Features	ITS.11204
Delayed Action	-
Back Check	-
Opening Angle	110°
Fig.1 Pull Side Door Width	595-1100mm
Fig.66 Push Side Door Width	595-1100mm
Fig.1 BS8300 Min Door Width	835mm
Max Door Weight	<130kg
Power Adjustment	By Spring
Hold Open (not for fire doors)	o
Dimensions	W243 x H52 x D32mm
Certification Compliance	
Certifire	✓
UKCA	✓
CE	✓
BS EN 1154	✓
BS EN 1634	✓
UL10C	-
UL228	✓
ANSI BHMA	-
IFCC	✓
EPD 3.09E+01 kg CO ₂ eq	✓
Key:	✓ Yes - No o Option



Apartment entrance doors - what's required?

Front entrance doors of apartments are critical in keeping residents safe and secure. Legislation prescribes the criteria that they must meet but it's important that this translates into practical action.

We've summarised the key factors from a hardware perspective that should be considered when it comes to specifying and installing apartment entrance doors.

How do we ensure that an entrance door reliably closes?

It sounds obvious, but doors must be kept closed if they are to prevent fire and smoke spreading from one area to another, and if intruders are to be barred from gaining access.

While door closers are fitted as standard, if it's not the right closer and accompanying hardware, or if the door and its hardware haven't been installed correctly, doors may still remain slightly open.



Assess whether air pressures are present that create resistance to the door closing.

Use quality locks and latches with adjustment to guarantee smooth closing and latching.

See page 6

Avoid excessive or poorly positioned door seals that may obstruct closing and increase air pressure issues.

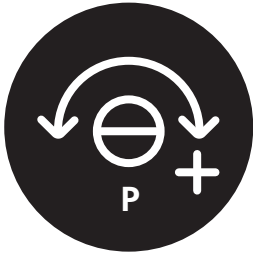
Choose the correct closer and adjust to achieve ease of opening and consistent closing.

See pages 18-27

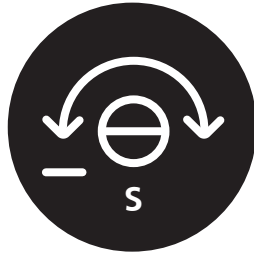
Ensure that suitable grade 13 hinges are used and fitted such that no binding occurs.

See pages 16-17

The doorset must be fitted fully plumb and level to ensure that the door swings freely.



+ Turn up the power



- Slow down the speed

Selecting the best closer for the job.

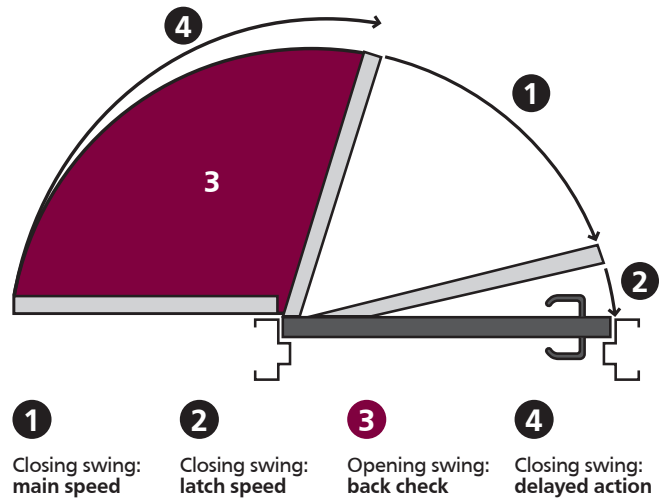
For apartment entrance doors, we always recommend a power-adjustable closer, as they are often subject to air pressures. Adjustment of power and speed is necessary to help overcome this. Cam-action closers provide the best overall user experience as they make door opening easy and smooth.

For power adjustable door closers see pages 18-27

Using back check to avoid damage.

When an entrance door opens to a wall, a back check valve should be used to slow down the opening cycle from 70 degrees. It shouldn't take the place of a door stop, but it can helpfully slow down doors that may be opened at speed, including external doors that may be thrown open by wind.

For back-check door closers see pages 18-21



Understanding the standards that apply.

Various legislation applies to apartment entrance doors. Some of the key ones worth being aware of, are: BS EN 1634 and the original BS 476, covering fire and smoke; BS EN 1154 on door closer performance; BS 8300 to ensure accessibility; and BS 6375 covering performance of doors.

For further UK Building Regulations & Guidance see pages 30-34

Ensuring compliance can seem a laborious undertaking, but it's critical to ensuring adequate protection of people and property.

It's a fine line between safety and tragedy: it's worth getting it right.

Apartment Entrance doorsets

What is a Pre-hung Doorset?



BS EN 12519 defines a doorset as “supplied complete with all essential parts from a single source and for which the main intended use is the access of pedestrians.”

A doorset is a whole system, including but not limited to: door leaf, door frame, intumescents, smoke seals (as applicable), hinges, hardware, signage, glazing, glazing system, door closer and any fanlights and sidelights — all designed and tested to perform as one unit by the doorset manufacturer and certified as such. It is recommended that a fire doorset is factory prepared. This means it is machined for components (tolerances included), prior to arriving on site, and all components come from one source of supply, i.e. the manufacturer.

Rutland strongly support the Pre-hung Doorset industry and have done for many years. This support includes sharing knowledge with best practice on dual testing programs from design through to certification.

This support has involved well over a million pounds investment, resulting in probably one of the most tested door closers on the UK market.

Experts often say they see Rutland Door Closers included in most tests, which means you have the advantage of a product compliant and listed in most top door core Field of Application and Dual Summary reports for Enhanced Security.

For further information on suitable door cores and door systems compatible with Rutland hardware call us on 01246 261491



Apartment Entrance doorsets UK Building Regulations & Guidance



- Part B Building Regulations - Fire Safety
- Part M Building Regulations - Accessibility
- Part Q Building Regulations (England) - Security
- Part Q Building Regulations (Wales) - Security
- Section 4:13 Technical Domestic Standards - Scotland - Security
- Planning advice note PAN 77 (Scotland) – Anti social & criminal behaviour
- Department for Communities (NI) – Social Housing Design Guide Standards
- Modern Crime Prevention Strategy – UK Home Office



Latest MHCLG documentation Building a Safer Future - An Implementation Plan⁶ references MHCLG Advice Note 16 in Annex B : The story to date. The Advice Note highlights the importance of certified fire doorsets, which are complete end product provided by the doorset manufacturer.

The document clearly states the importance of:

- Third-party certification of doorsets
- Professional competence of those people installing and maintaining doorsets
- The need to avoid performance specifications being compromised by cost pressures
- The need for record keeping, safety product labelling and traceability

For further information on UK Building Regulations affecting front entrance doorsets, call Rutland on 01246 261491

Apartment Entrance doorsets Dual Testing & Certification



What is dual testing & Certification?

To acquire SBD approval, a doorset manufacturer must carry third-party certification for security. Where a flat entrance doorset also requires fire resistance, SBD has campaigned for the doorset design specification of a flat entrance doorset to be the same for security, fire resistance, and more recently smoke control performance. This has become known as 'dual, triple or multiple certification'.

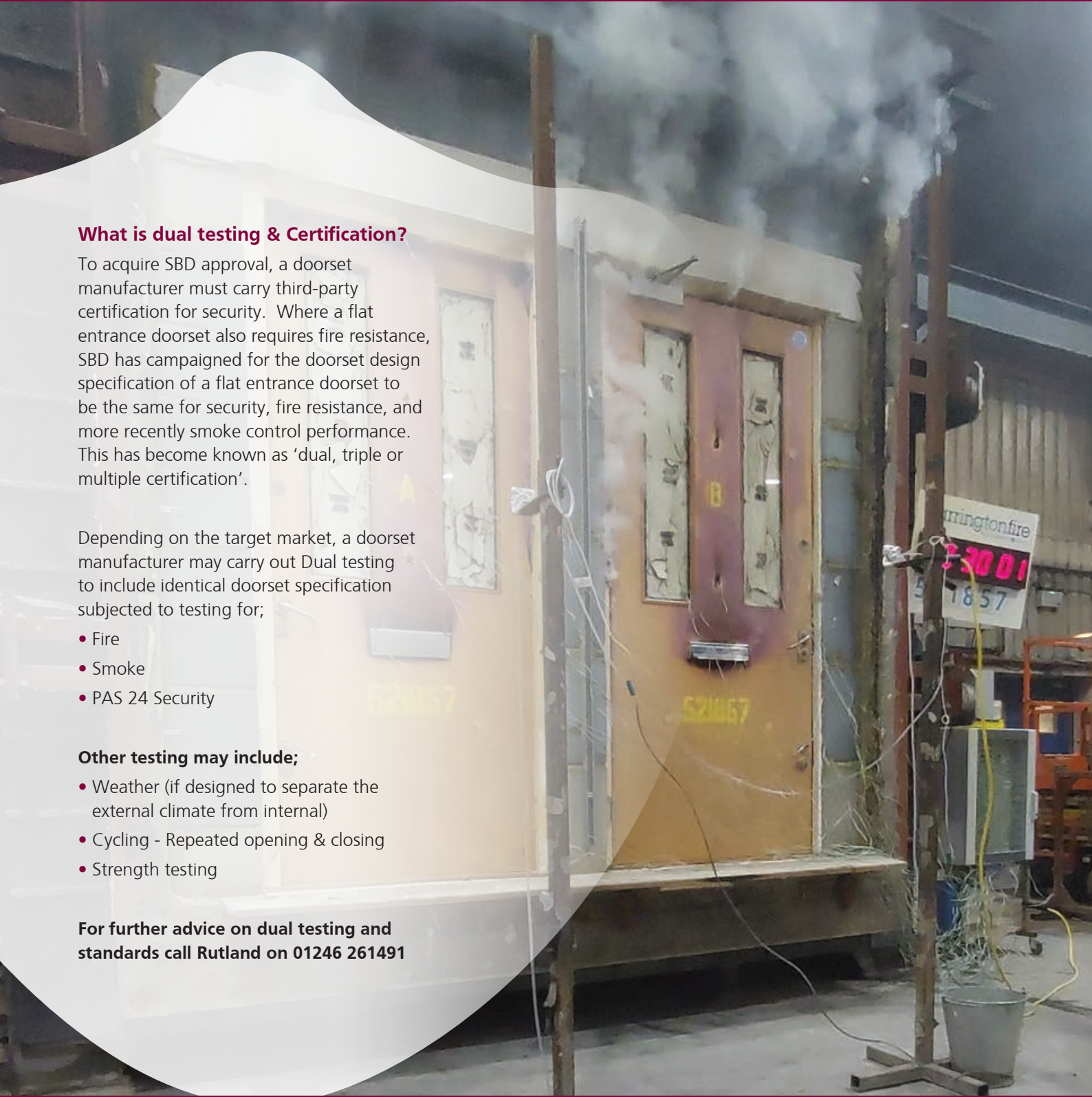
Depending on the target market, a doorset manufacturer may carry out Dual testing to include identical doorset specification subjected to testing for;

- Fire
- Smoke
- PAS 24 Security

Other testing may include;

- Weather (if designed to separate the external climate from internal)
- Cycling - Repeated opening & closing
- Strength testing

For further advice on dual testing and standards call Rutland on 01246 261491



Apartment Entrance doorsets Secured by Design Guidance



Secured by Design is a police initiative to guide and encourage those engaged within the specification, design and build of new homes, and those undertaking major or minor property refurbishment, to adopt crime prevention measures.

Secured by Design Homes Guide 2024 section 20.6 states: Should additional door furniture be fitted to an SBD approved doorset such as door chains, bolts, etc. specifiers must ensure that this does not compromise the original security or fire certification compliance.

Rutland promote the design of safe and accessible apartment entrance doorsets providing tested Front Entrance Door Hardware to assist measures recommended by SBD and housing occupational therapists (Royal College of Occupational Therapists: Specialist Section in Housing) including consideration of; -

- Locking systems that are easy to understand, use, and can be operated with one hand.
- Doors which comply with the opening pressure requirements of the relevant categories of Approved Document M(4): Volume 1: Access to and use of dwellings.

See advice on Opening Forces and assisting BS8300 – see page 34.



Training & Technical Support

It's a frightening reality, but badly installed fire & security doorsets may provide far less protection from smoke, fire and burglar attack. This can present a major risk to life safety.

Components used should be properly tested, certified and suitable for the doorset. They should also be fitted to the manufacturers instructions and any alterations should be approved by the doorset manufacturer.

At Rutland, we provide detailed instructions with all our products. We also offer experienced technical support to give advice including on-site training for installation teams if required.

For training and technical support please call Rutland on 01246 261491



SUPPORTED BY



Raising Standards
Safety Assured

certifire

Secured by Design



Official Police Security Initiative

Enhancing life safety at every fire door

Through our expert advice and support, we provide the peace of mind that full compliance is achieved and that life safety is assured.



Head Office:

Rutland Trading Co Ltd.
Unit 4, Holmewood Business Park
Chesterfield Road, Holmewood
Chesterfield, S42 5US

Contact us:

+44 (0)1246 261491
sales@rutlanduk.co.uk
rutlanduk.co.uk