

SCISSOR ARM DOOR CLOSERS

TS.4204



SCISSOR ARM DOOR CLOSERS

TS.4204

Certifire approved EN2-4 Rack and Pinion contract door close, adjustable by spring, and delayed action and back check as standard.

- Easy to read instructions, saving over 12 minutes of fitting time
- Corrosion Grade 3 – Recommended for internal use



FD30 to FD120
Timber Doors



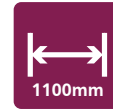
Opening Angle
180°



Two-Stage
Speed Regulation



Guarantee



Max Door
Width



Max Door
Weight



Product Features	TS.4204
Delayed Action*	o
Back Check	✓
Opening Angle	180°
Fig.1 Pull Side Door Width	340-1100mm
Fig.66 Push Side Door Width	485-1100mm
Max Door Weight	<80kg
Power Adjustment	By Spring
Hold Open (not for fire doors)	o
Dimensions (including cover)	W250 x H65 x D53mm
Certification Compliance	
Certifire	✓
UKCA	✓
CE	✓
BS EN 1154	✓
BS EN 1634	✓
UL10C	-
UL228	-
ANSI BHMA	-
IFCC	✓
EPD 3.09E+01 kg CO ₂ eq	✓
Key: ✓ Yes - No o Option	
*Not covered by Certifire	

Finishes

See page 96 for more detail



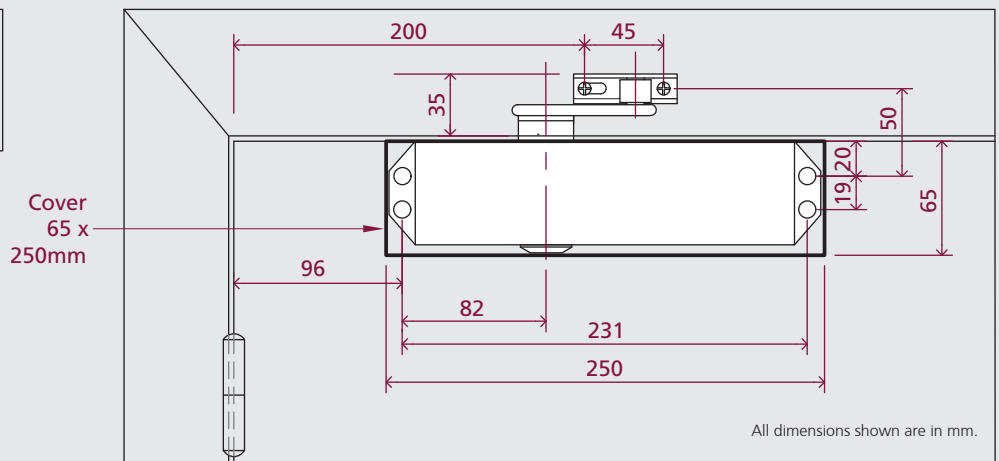
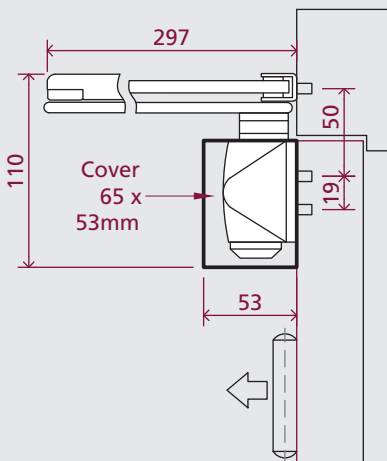
SE
Silver



SNP
Satin Nickel



PNP
Polished Nickel



All dimensions shown are in mm.

For fitting instructions see website