

ELECTROMAGNETIC DOOR CLOSERS

Responder 24

Power Supply Unit
Please see page 55
for more detail.



ELECTROMAGNETIC DOOR CLOSERS

Responder 24

Offering Hold-Open & Swing-free modes, and being fully universal fitting with left, right, push & pull available from one box, the Responder 24 is a highly adaptable closer, suitable for use in varying applications, from care-home scenarios where swing-free is in demand, to airports and schools, where high-traffic passes through a door.

- Electromagnetic technology ensuring safe closure in a fire alarm activation
- 5 Finishes available for next day delivery
- Fire tested to EN1634-1 standard



3rd Party Certification



Opening Angle 150°



Two-Stage Speed Regulation



Guarantee



Max Door Width 1100mm



Max Door Weight 80Kg



Finishes

See page 96 for more detail



SE Silver



SNP Satin Nickel



PNP Polished Nickel



PVD Polished Brass



AB Antique Brass

Rutland PSU is recommended and suitable for 4 E-mag devices.

We recommend the fitter consults with the cable voltage drop table due to the fact that cable sizing and length from PSU to Responder 24 can affect voltage drop.

It is the responsibility of the fitter to ensure the correct cable thickness is used for the situation in hand.

Voltage Output : 24v DC

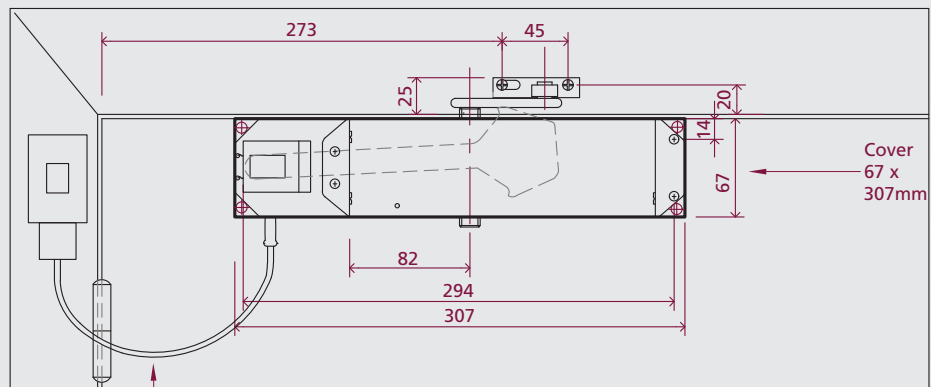
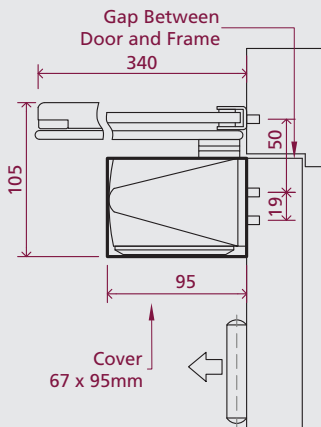
It is recommended that for each FireTrak Door Close that a 1A Power Supply Unit is specified, however if fitting to double doors then a 2A Power Supply Unit can be used to operate the two FireTrak Closers.



Product Features	Responder 24
Delayed Action	-
Back Check	-
Opening Angle	150°
Fig.1 Pull Side Door Width	385-1100mm
Fig.66 Push Side Door Width	502-1100mm
Fig 61 Transom Mount	385-1100mm
Max Door Weight	<80kg
Power Adjustment	-
Hold Open	o
Dimensions (including cover)	W307 x H67 x D95mm

Certification Compliance	Responder 24
Certifire	-
UKCA	✓
CE	✓
BS EN 1154	✓
BS EN 1155	✓
BS EN 1634	✓
UL10C	-
UL228	-
ANSI BHMA	-
IFCC	✓
EPD 3.09E+01 kg CO ₂ eq	✓

Key: ✓ Yes - No o Option



Wire Length 300mm

All dimensions shown are in mm.

For fitting instructions see website