

FLOOR SPRING DOOR CLOSERS

# TS.7003 + TS.7004



FLOOR SPRING DOOR CLOSERS

# TS.7003 + TS.7004

The Rutland TS.7003 + TS.7004 Floor Spring range is made up of two different power sizes - EN3 and EN4. These closers are ideal for locations such as hospitals and care homes where easy opening is essential. They are enhanced with powerful, user friendly cam and roller action mechanisms.

- Varying spindle options from 3mm-48mm (8mm supplied as standard)
- Available in Satin Stainless finish, special finishes available on request
- Hollow mount cradle available for hollow floor mounting



3rd Party Certification



Opening Angle 130°



Two-Stage Speed Regulation



Guarantee



Max Door Width



Max Door Weight



**Finishes**

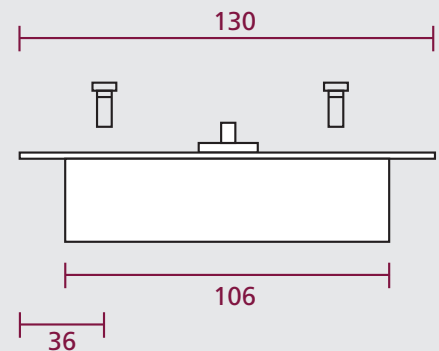
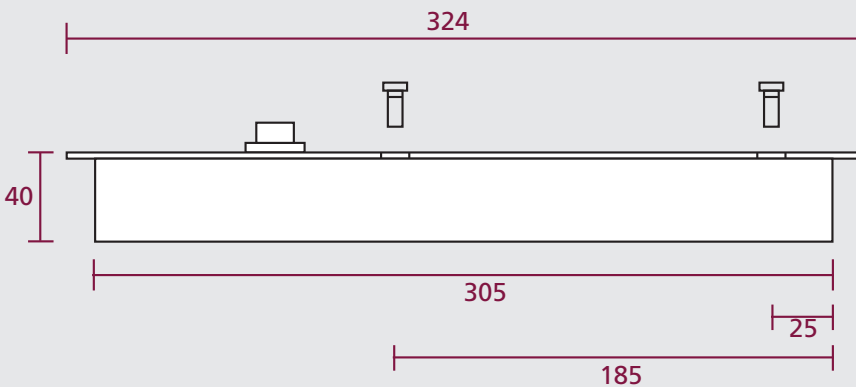
See page 98 for more detail



Special finishes available upon request



Product Features	TS.7003 + TS.7004
Delayed Action	-
Back Check (optional not covered by CE/UKCA)	o
Opening Angle	130°
Max Door Width EN3	950mm
Max Door Width EN4	1150mm
Max Door Weight EN3	<105kg
Max Door Weight EN4	<150kg
Power Adjustment	-
Hold Open (not for fire doors)	o
Dimensions (including cover)	W305 x H40 x D106mm
Certification Compliance	
Certifire	-
UKCA	✓
CE	-
BS EN 1154	✓
BS EN 1634	✓
UL10C	✓
UL228	✓
ANSI BHMA	-
IFCC	✓
<b>Key:</b> ✓ Yes    - No    o Option	



All dimensions shown are in mm.

For fitting instructions see website