



# TS.7000 Series Door Spring

## PS.190 Double Action & PS.170 Single Action Kits

TEL: +44 (0) 1246 261 491 | www.rutlanduk.co.uk



Operations and Maintenance Manual



10 YEARS WARRANTY



1150mm Max door width



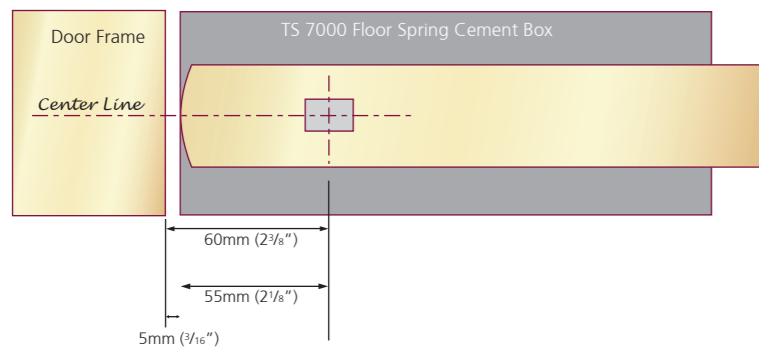
150Kg Max door weight



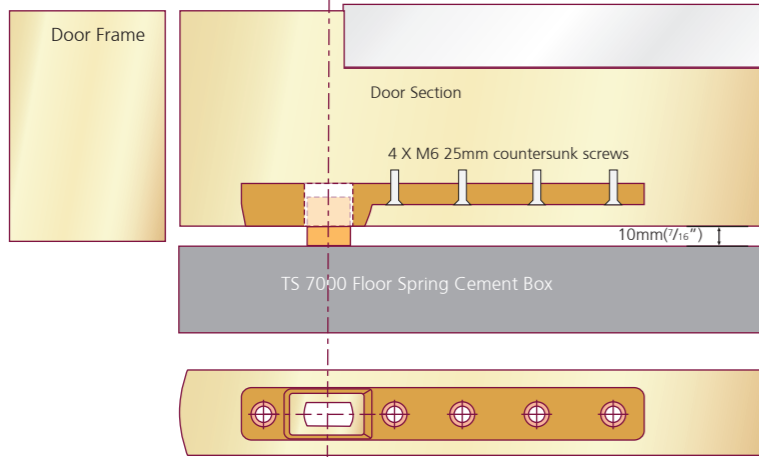
BS EN 1154  
3 8 3/4 1 1 3

### PS.190 Double Action Door Kit

#### 1 Fit Cement Box (Plan View)

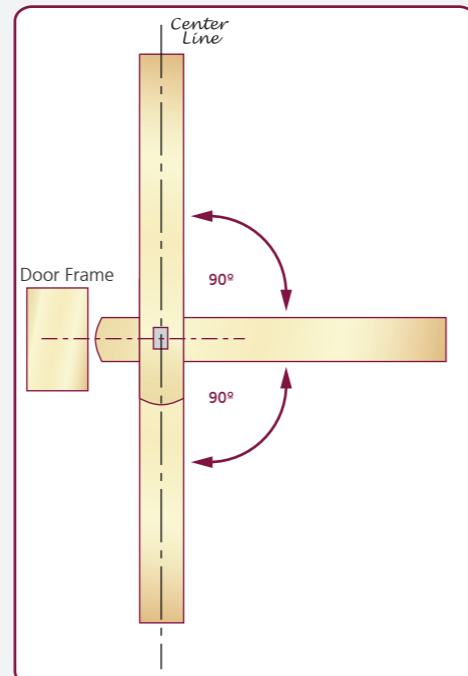
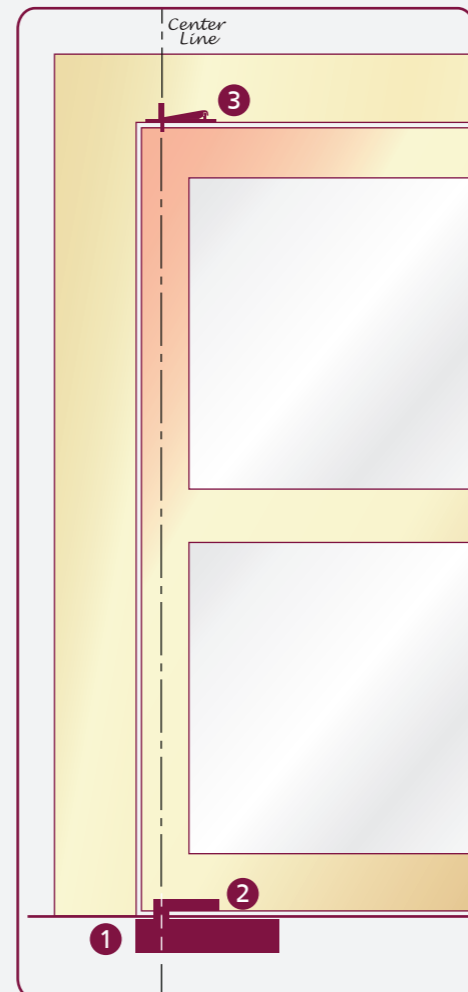
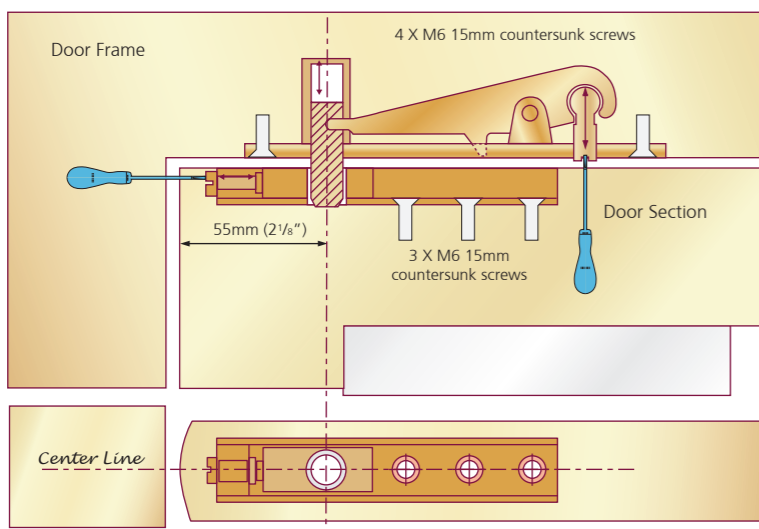


#### 2 Bottom Door Fitting (Side View)



Bottom Door Fitting (Bottom View)

#### 3 Top Door Fitting (Side View)



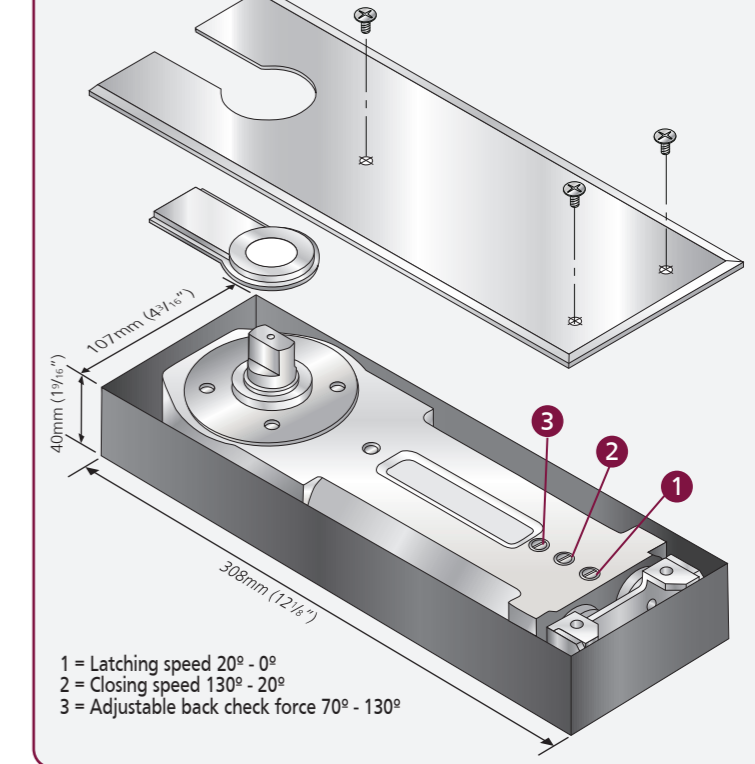
### 3-4 Power Size

Model/Unit	EN Size	Max. weight kg	Max. door width	Max. opening angle
TS 7002	2	40	850mm	130°
TS 7003	3	60	950mm	130°
TS 7004	4	80	1100mm	130°

**IMPORTANT NOTES:**  
 DELAYED ACTION & BACK CHECK (DABC) VALVES ARE NOT STANDARD, THESE ARE OPTIONAL.  
 FOR UNINSULATED STEEL DOORS IP-95M MUST BE USED.  
 THE PINION BOLT MUST BE TIGHTENED TO 12Nm.  
 A MECHANICAL DOOR CLOSER IS NOT DESIGNED TO OVERCOME POOR FITTING, EXCESSIVE AIR PRESSURES OR BINDING SMOKE AND WEATHER SEALS. EXCESSIVE AIR PRESSURES CAN BE CREATED BY THROUGH DRAFT, BY AIR CONDITIONING, BY SMALL ROOMS WITHOUT VENTILATION, OR WHERE NO AIR TRANSFER GRILLS ARE FITTED. MECHANICAL DOOR CLOSERS ARE DESIGNED TO CLOSE THE STATED AND TESTED SPECIFICATION OF DOOR WEIGHT AND DOORSETS/DOOR ASSEMBLIES WHEN DOORS ARE FITTED WITH CORRECT GAPS AND NOT BINDING ON SEALS. IF YOU ENCOUNTER PROBLEMS WITH DOORS NOT CLOSING PLEASE WATCH OUR "6 WAYS TO TROUBLESHOOT A DOOR CLOSER" VIDEO ONLINE. WHERE DOORS ARE NOT CLOSING DUE TO AIR PRESSURES THEN PROFESSIONAL ADVICE FROM AN AUTHORISED INSTALLER IS RECOMMENDED TO FIT TESTED AND THIRD PARTY CERTIFIED AIR TRANSFER GRILLS AND/OR AUTOMATIC DOOR OPERATORS. NOTE: BC VALVES ARE DESIGNED TO ASSIST BACK-CHECK AND DO NOT REPLACE THE REQUIREMENT FOR CORRECTLY FITTED DOORSTOPS OR SAFETY BARRIERS.

FURTHER WARRANTY INFORMATION: <https://www.rutlanduk.co.uk/rutland-warranty>

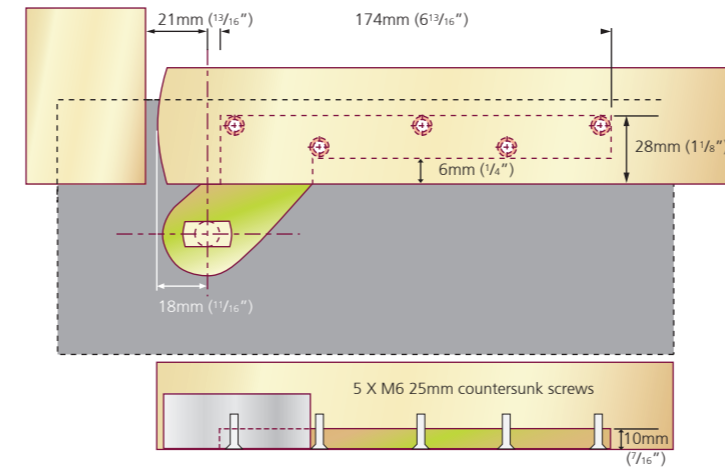
### TS 7000 Door Spring



- 1 = Latching speed 20° - 0°
- 2 = Closing speed 130° - 20°
- 3 = Adjustable back check force 70° - 130°

### PS.170 Single Action Door Kit

#### 1 Fit Cement Box and bottom hinge (Plan View)



#### 2 Fit top hinges to door and door frame

