



TS 7104 Floor Spring

PS190 Double Action & PS170 Single Action Kits

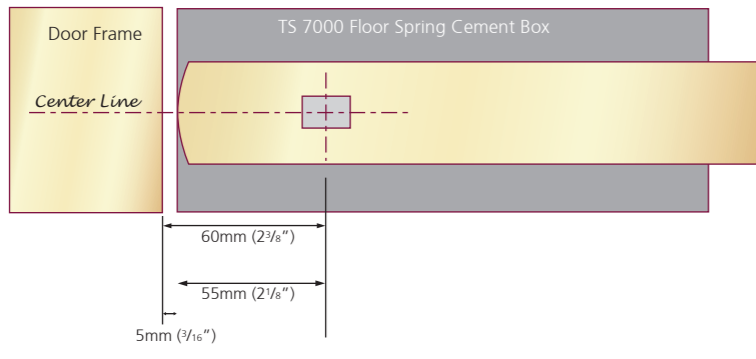
For Single action fire doors use Intumescent kit IP.170 - Green
For Double action fire doors use Intumescent kit IP.190 = Blue

www.rutlanduk.co.uk

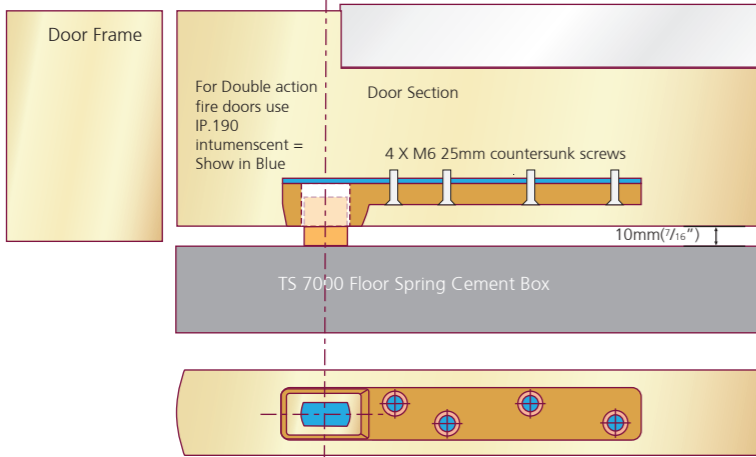
714.1

PS 190 Double Action Door Kit

1 Fit Cement Box (Plan View)

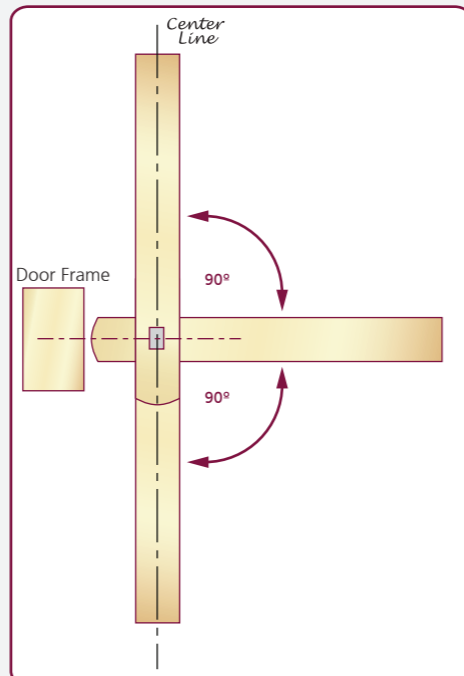
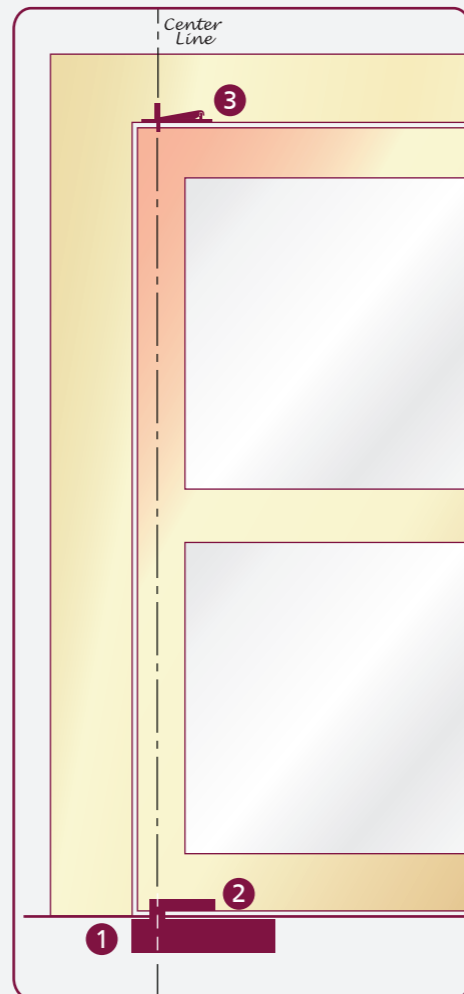
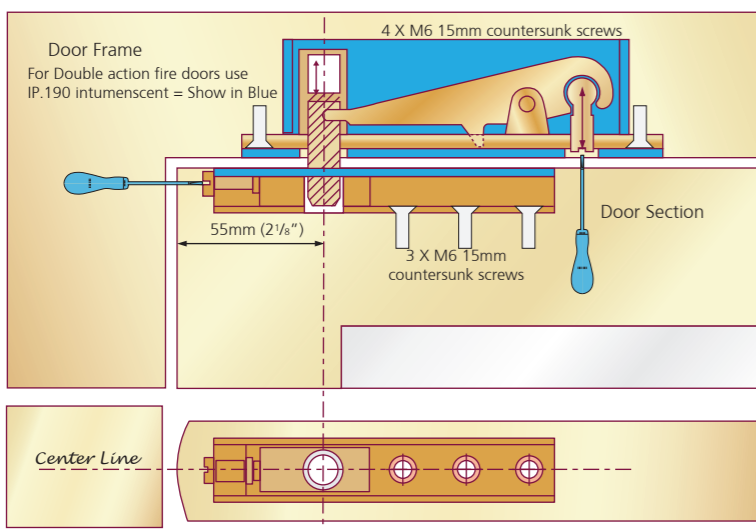


2 Bottom Door Fitting (Side View)



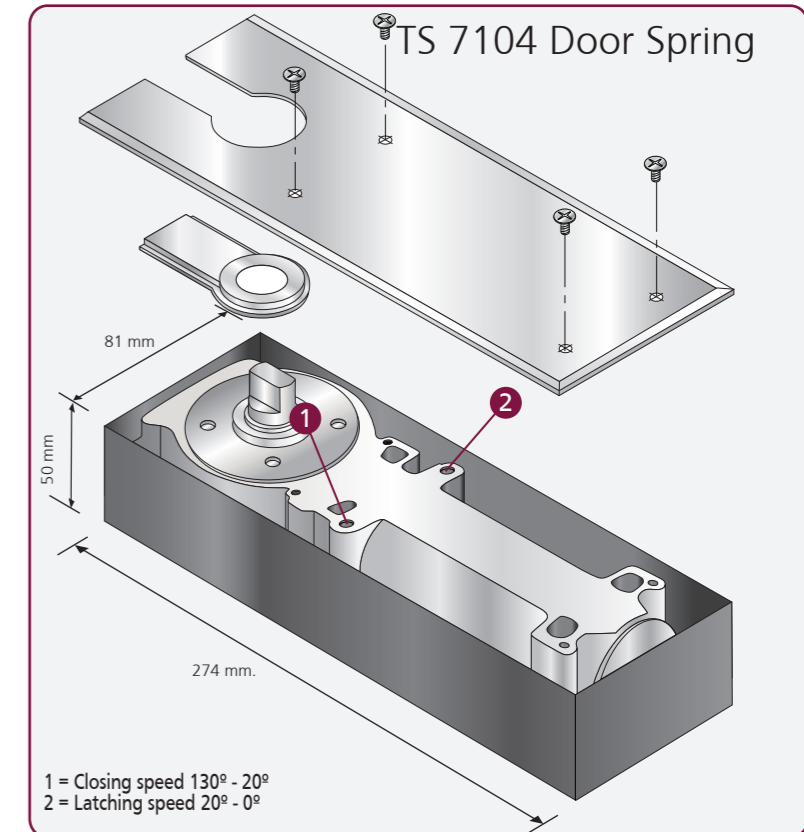
Bottom Door Fitting (Bottom View)

3 Top Door Fitting (Side View)



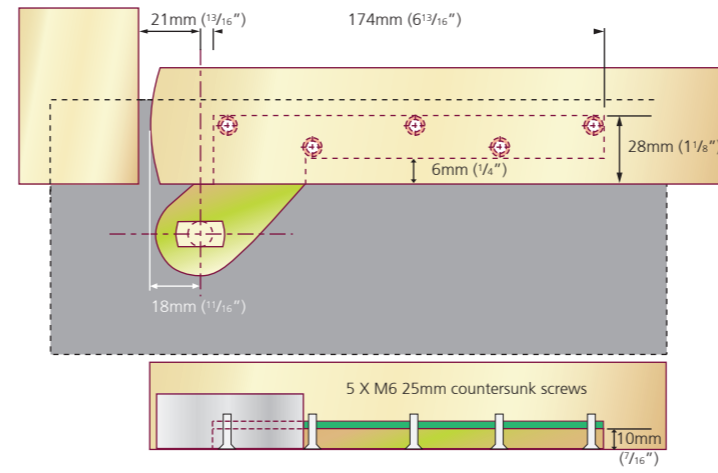
1-4 Power Adjustment

Model/Unit	EN Size	Max. weight kg	Max. door width	Max. opening angle
TS 7104	1	60	750mm	130°
TS 7104	4	150	1150mm	130°



PS 170 Single Action Door Kit

1 Fit Cement Box and bottom hinge (Plan View)



2 Fit top hinges to door and door frame

