

FLOOR SPRING DOOR CLOSERS

TS.7306

The Rutland TS.7306 Heavy Duty Floor Spring has a variable power size EN3-6 adjustable by spring. Available as double or single action units as well as hold open and non-hold open.

- Variable Power size EN3-6 – doors up to 300kg & 1450mm wide
- Power Adjustable by spring, size 3-6
- Varying spindle options from 3mm-48mm (8mm supplied as standard)



Opening Angle
150°



Two-Stage
Speed Regulation



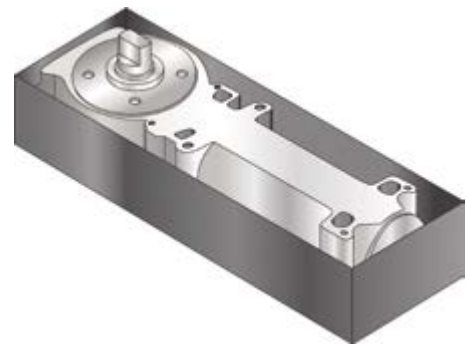
Guarantee



Max Door
Width



Max Door
Weight

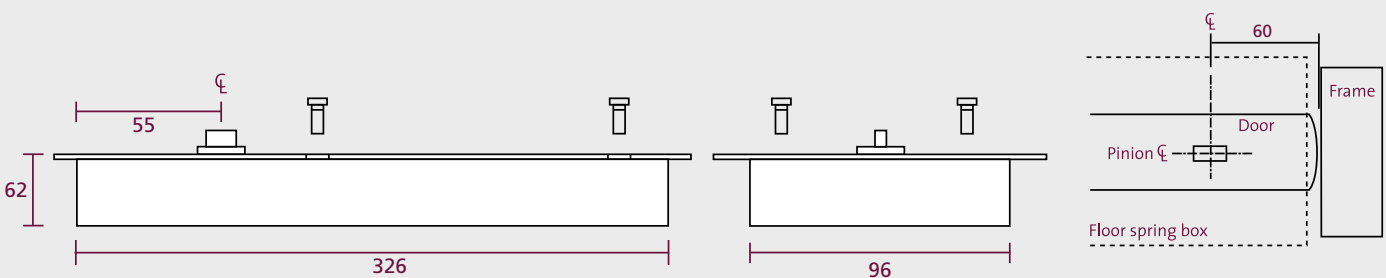


Finishes

See page 98 for more detail



Product Features	TS.7306
Delayed Action	-
Back Check	-
Opening Angle	150°
Max Door Width	1450mm
Max Door Weight	<300kg
Power Adjustment	By Spring
Hold Open	o
Dimensions (including cover)	W326 x H62 x D96mm
Key: ✓ Yes - No o Option	



For fitting instructions see website

All dimensions shown are in mm.