



TS 7306 Floor Spring

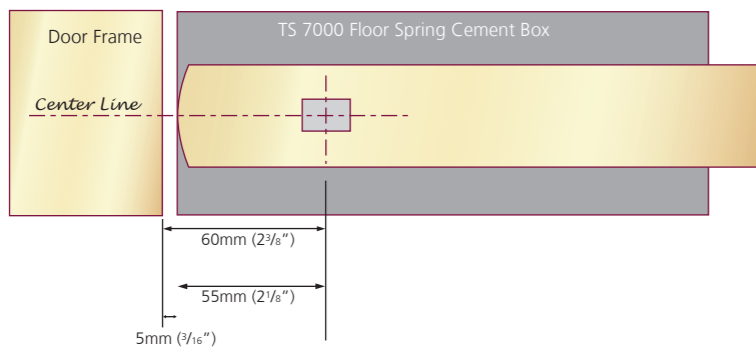
PS190 Double Action & PS170 Single Action Kits

736.1

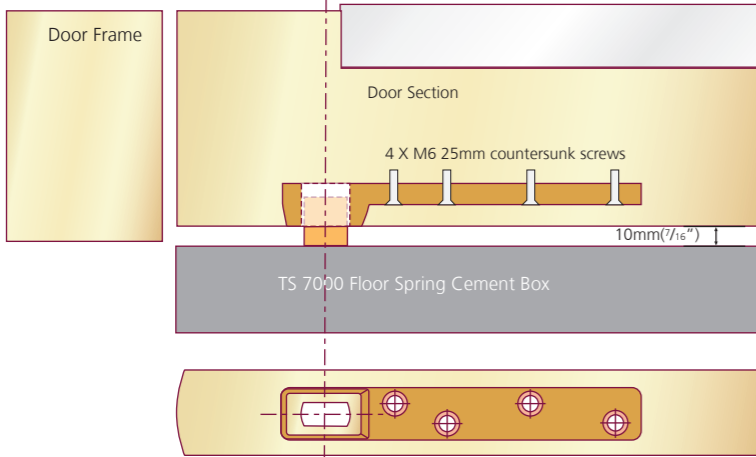
www.rutlanduk.co.uk

PS 190 Double Action Door Kit

1 Fit Cement Box (Plan View)

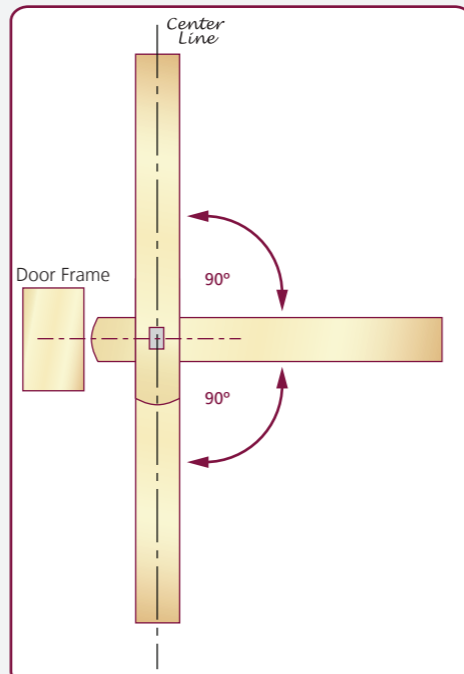
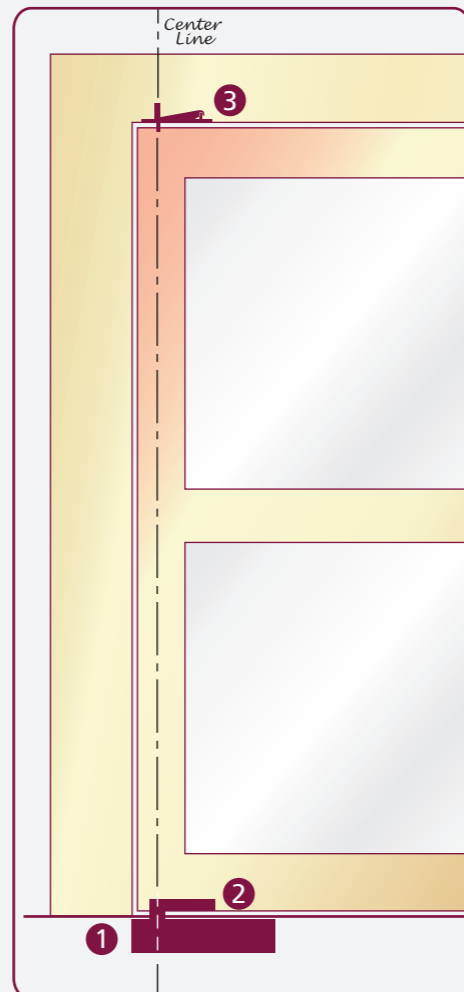
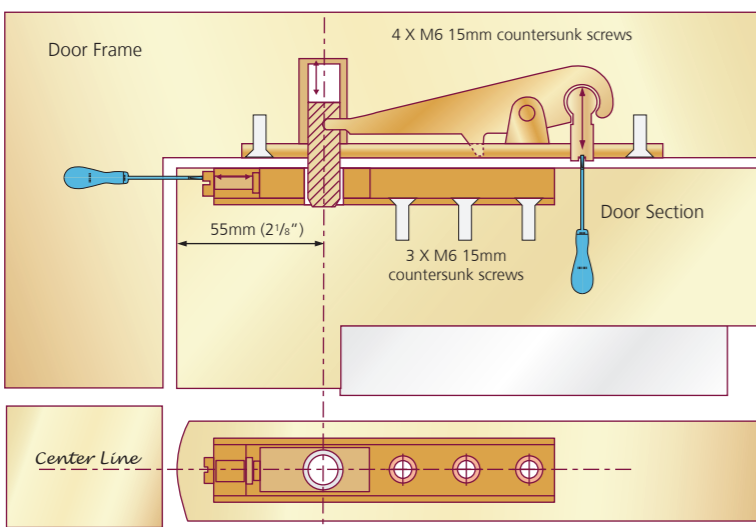


2 Bottom Door Fitting (Side View)



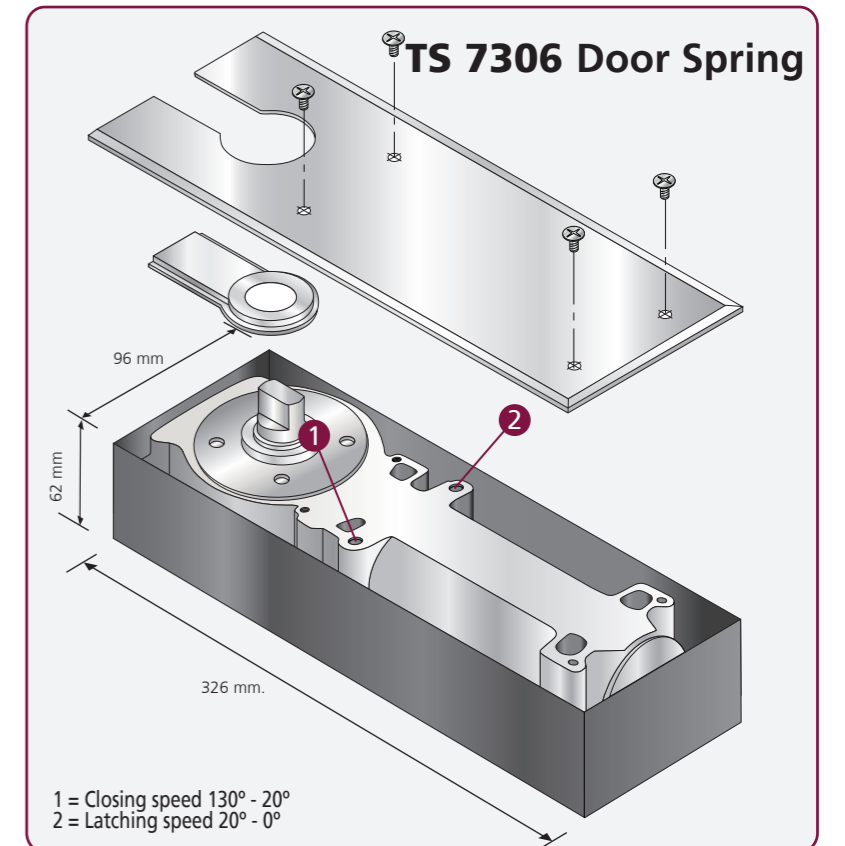
Bottom Door Fitting (Bottom View)

3 Top Door Fitting (Side View)



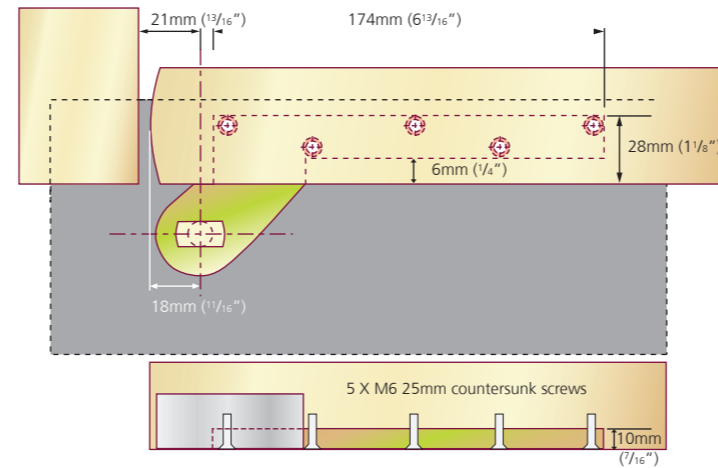
3-6 Power Adjustment

Model/Unit	EN Size	Max. weight kg	Max. door width	Max. opening angle
TS 7306	3	105	950mm	130°
TS 7306	6	300	1400mm	130°



PS 170 Single Action Door Kit

1 Fit Cement Box and bottom hinge (Plan View)



2 Fit top hinges to door and door frame

