

GLASS PATCH DOOR CLOSERS

GP.3

The Rutland GP.3 Hydraulic Glass Patch Closer is a size EN 3 closer and has been used in many varied applications globally, ideal for situations such as concrete floors where it's difficult to use the traditional Floor Spring closer due to underfloor heating and services. Glass thickness can vary from 8mm to 13mm due to the necessary fitting packs, spacers and supports. This is available in a non-hold open mechanism.



Opening Angle
130°



Two-Stage
Speed Regulation



Guarantee



Max Door
Width



Max Door
Weight

- Universal Application
- Available in Satin Stainless Steel or Black
- Hold-Open or Non-Hold-Open available



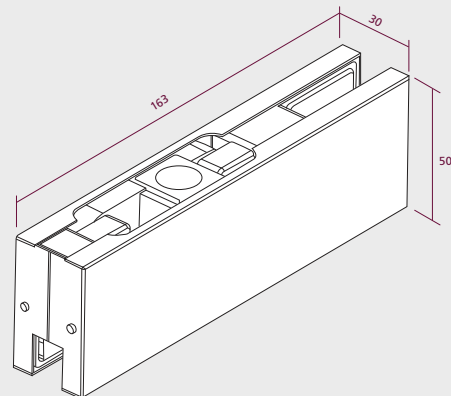
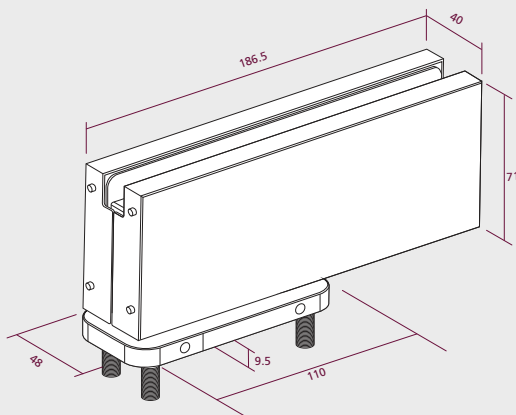
Finishes

See page 98 for more detail

- SSS Satin Stainless
- BK Black



Product Features	GP.3
Delayed Action	-
Back Check	-
Opening Angle	130°
Max Door Width	950mm
Max Door Weight	<80kg
Power Adjustment	-
Hold Open	o
Dimensions (including cover)	W186.5 x H71 x D40mm
Key: ✓ Yes - No o Option	



For fitting instructions see website

All dimensions shown are in mm.