

GP.35 Glass Closer

Power Adjustable
EN3-5 by
Spring



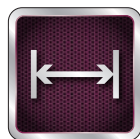
Product Overview

- ✓ Variable power size EN 3-5
- ✓ UL listed
- ✓ Ideal for concrete floors with underfloor services, pipes and mains
- ✓ Average saving of 1 hour fitting compared to traditional floor springs

Specification Overview



Max Door Weight
up to 100kg



Max Door Width
1250mm



Universal
Application



Guarantee

Technical Information

- Finishes available SSS Satin Stainless Steel
- Not CE Marked
- Best for glass doors in non-fire rated entrances, quiet rooms, display or lobby areas.
- Glass Thickness 10-15mm

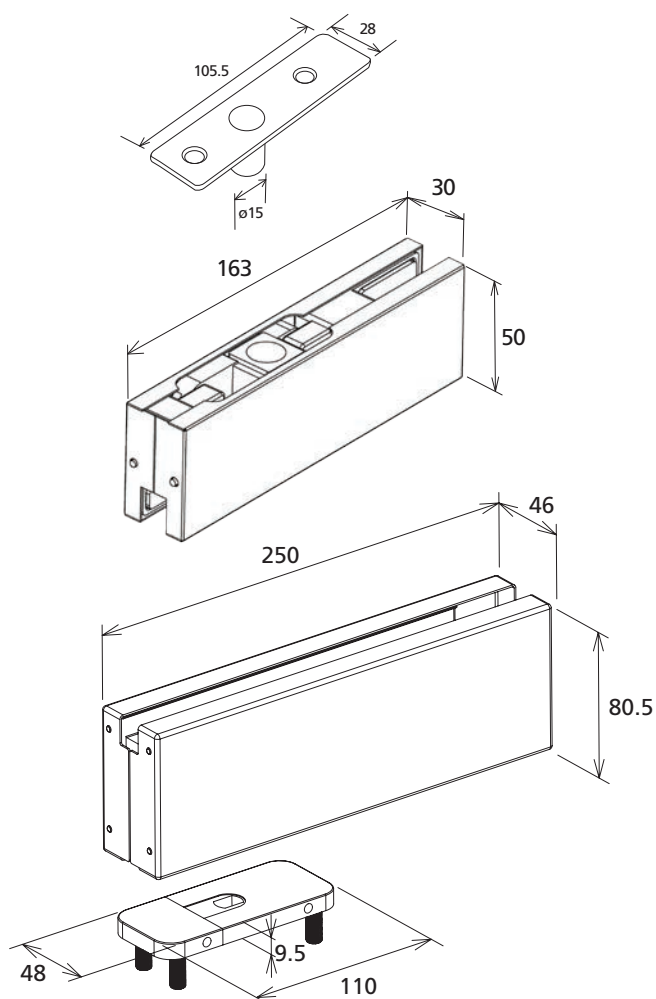
UL Listed

The GP.35 has been certified and labelled to the Underwriters' Laboratories (UL) testing, inspection, certification, auditing and validation.

Options

- Hold Open (GP.35HO.SSS)
- Non Hold Open (GP.35NHO.SSS)

All dimensions shown are in mm.



For fitting instructions see website - www.rutlanduk.co.uk

Description	EN Size	Finish	Re-order Code	Product Code	Box Qty
 Glass Patch Closer C/W Closer, Top Patch & Pivot Hold Open	3-5	Satin Stainless	12145	GP.35HO.KIT	6
 Glass Patch Closer	3-5	Satin Stainless	12082	GP.35HO.SSS	6
 Glass Patch Closer C/W Closer, Top Patch & Pivot Non Hold Open	3-5	Satin Stainless	12146	GP.35NHO.KIT	6
 Glass Patch Closer	3-5	Satin Stainless	12083	GP.35NHO.SSS	6
 Top Pivot	-	Satin Stainless	12088	TP.1.SSS	6
 Top Pivot Patch	-	Satin Stainless	12084	GP.2.SSS	6