



TS 7000 Door Spring

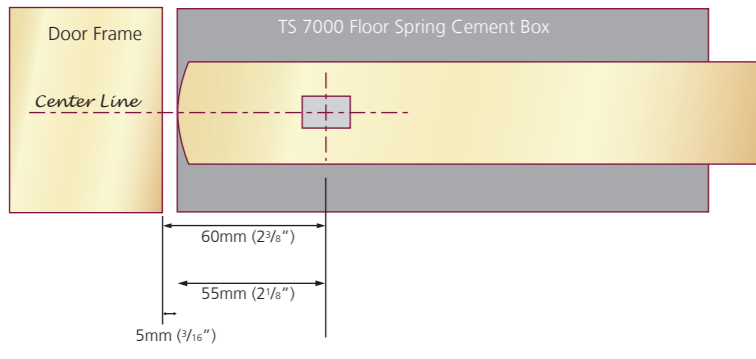
PS180 Double Action & PS170 Single Action Kits

CE 703.1
1121
BS EN 1154
4 8 3 1 1 3

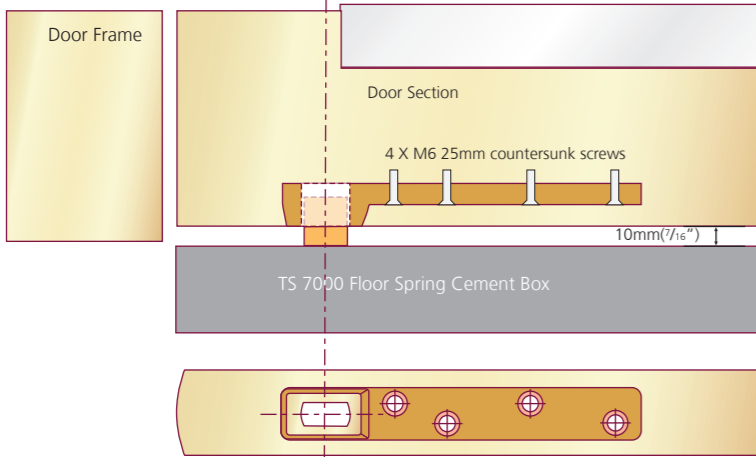
www.rutlanduk.co.uk

PS 180 Double Action Door Kit

1 Fit Cement Box (Plan View)

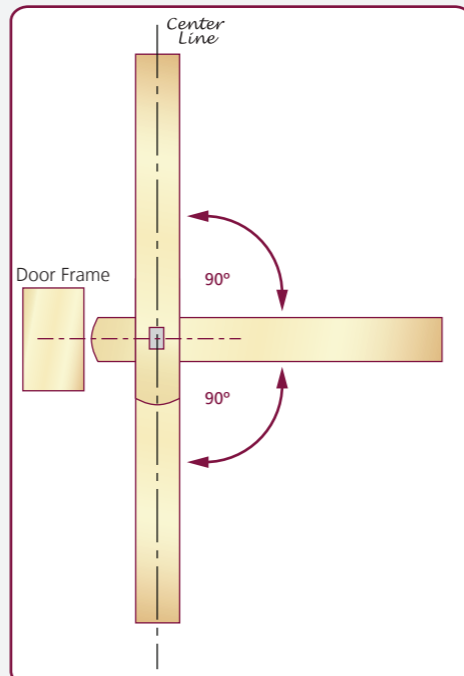
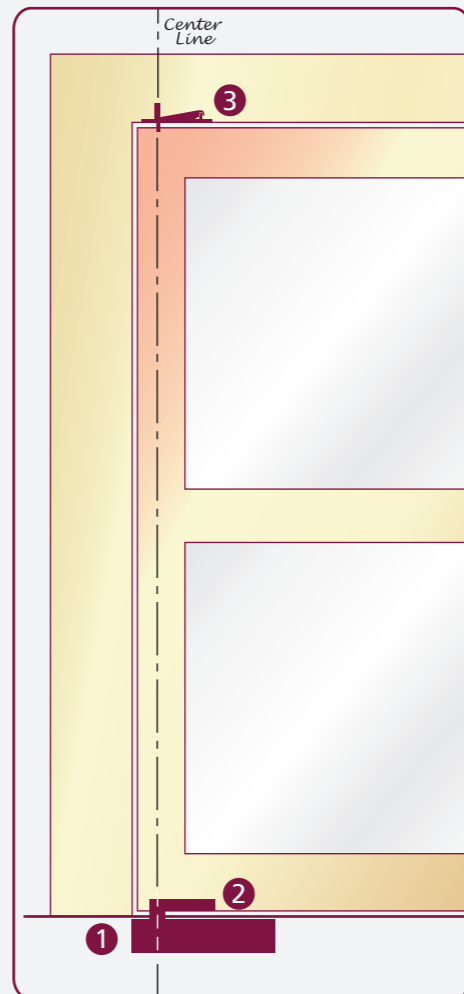
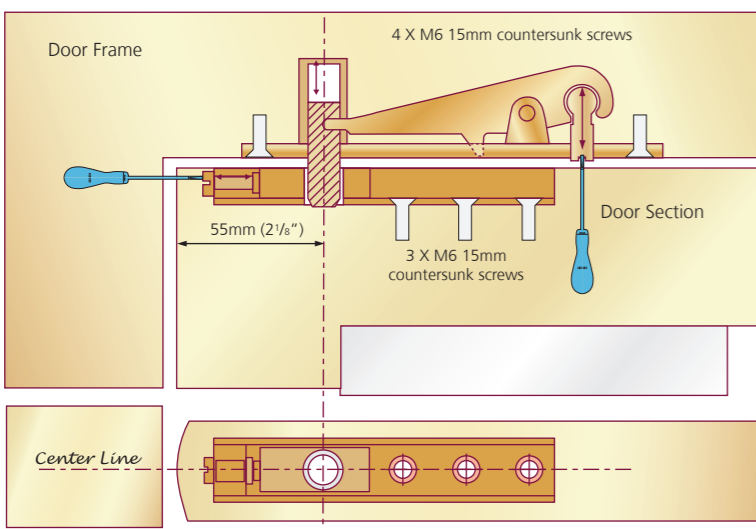


2 Bottom Door Fitting (Side View)



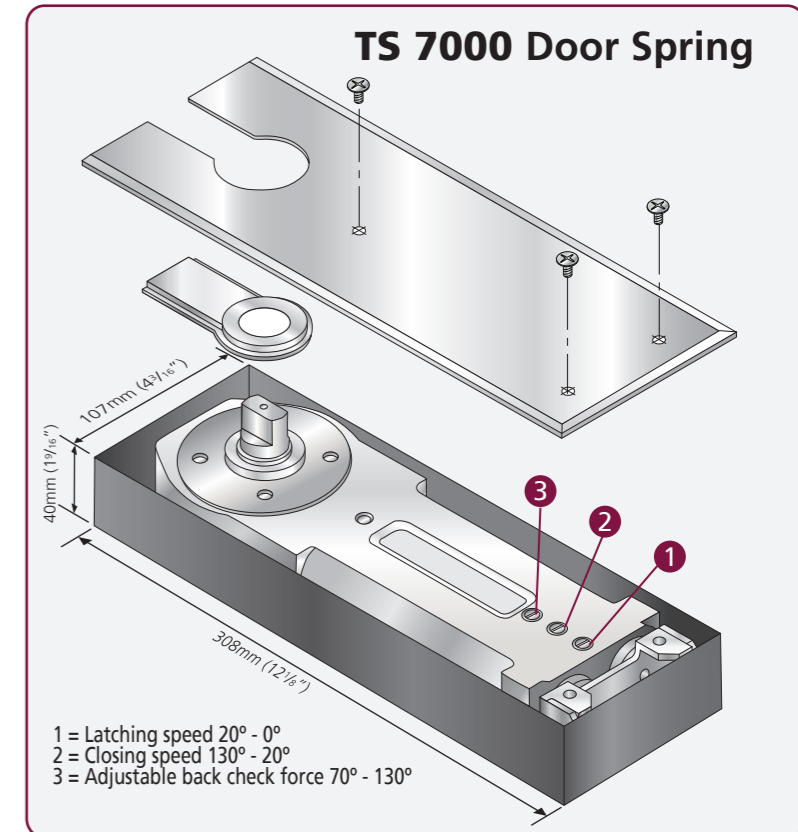
Bottom Door Fitting (Bottom View)

3 Top Door Fitting (Side View)



2-4 Power Adjustment CE in EN 3 only

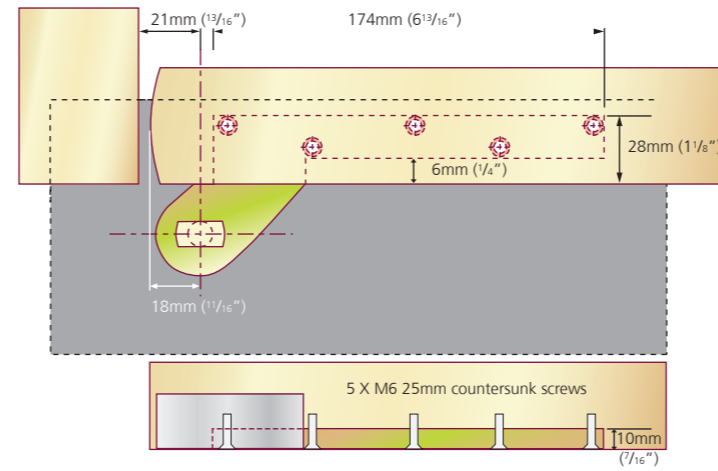
Model/Unit	EN Size	Max. weight kg	Max. door width	Max. opening angle
TS 7002	2	70	850mm	130°
TS 7003	3	105	950mm	130°
TS 7004	4	150	1150mm	130°



1 = Latching speed 20° - 0°
2 = Closing speed 130° - 20°
3 = Adjustable back check force 70° - 130°

PS 170 Single Action Door Kit

1 Fit Cement Box and bottom hinge (Plan View)



2 Fit top hinges to door and door frame

