

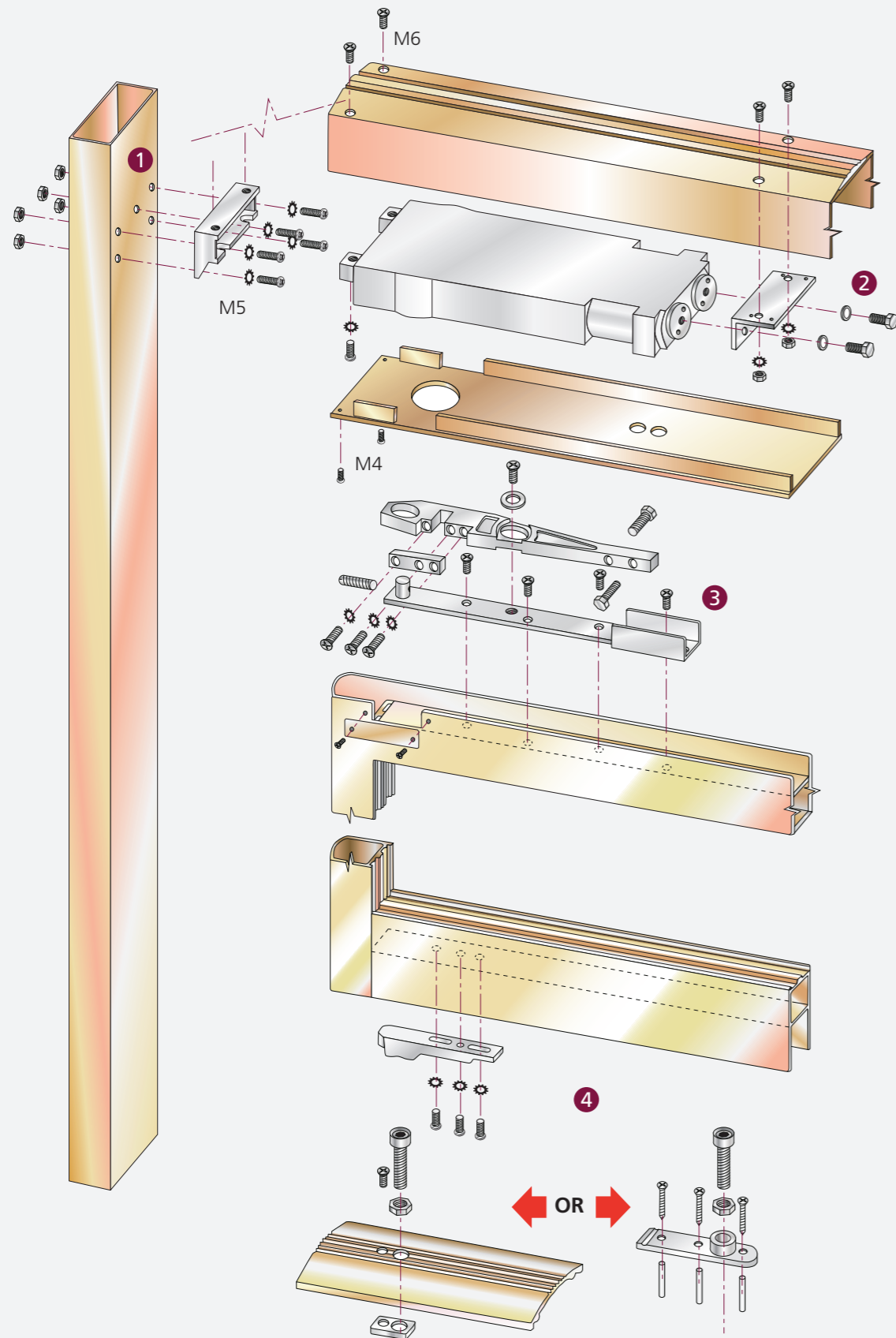


# TS 8000 Concealed overhead Door Closer

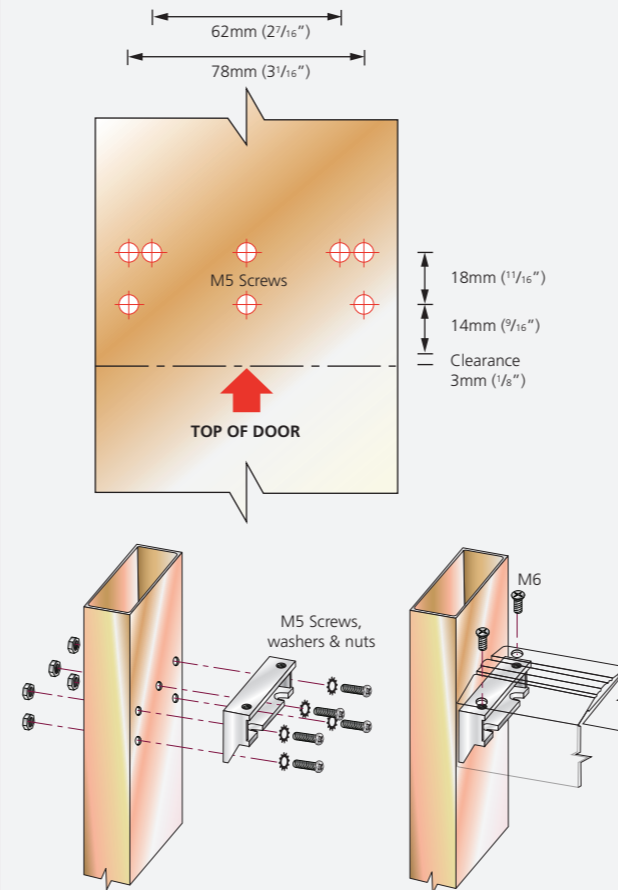
803.1

www.rutlanduk.co.uk

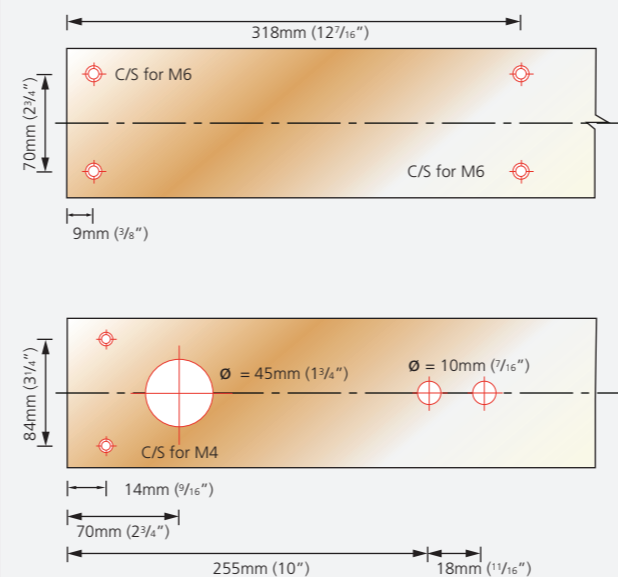
## Centre Pivoted - Double or Single Acting



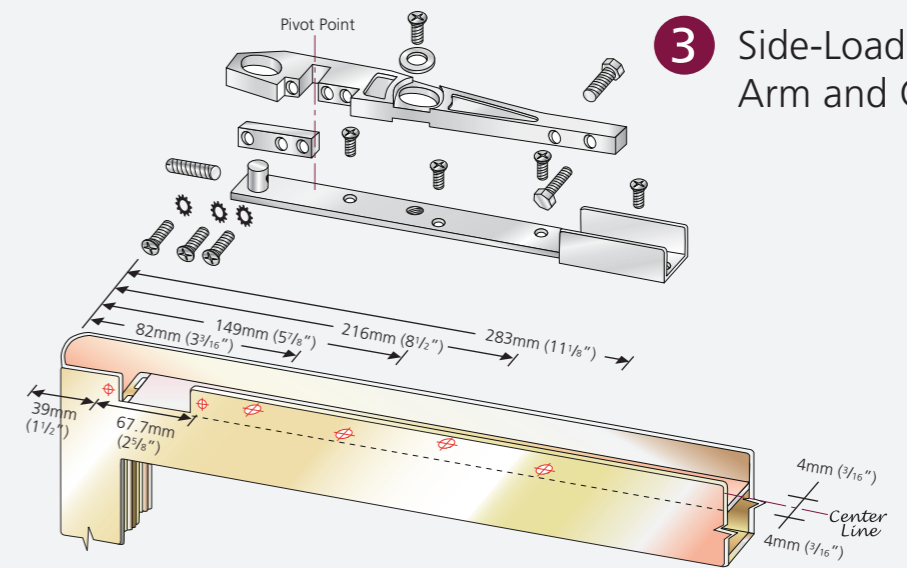
### 1 Hinge Jamb



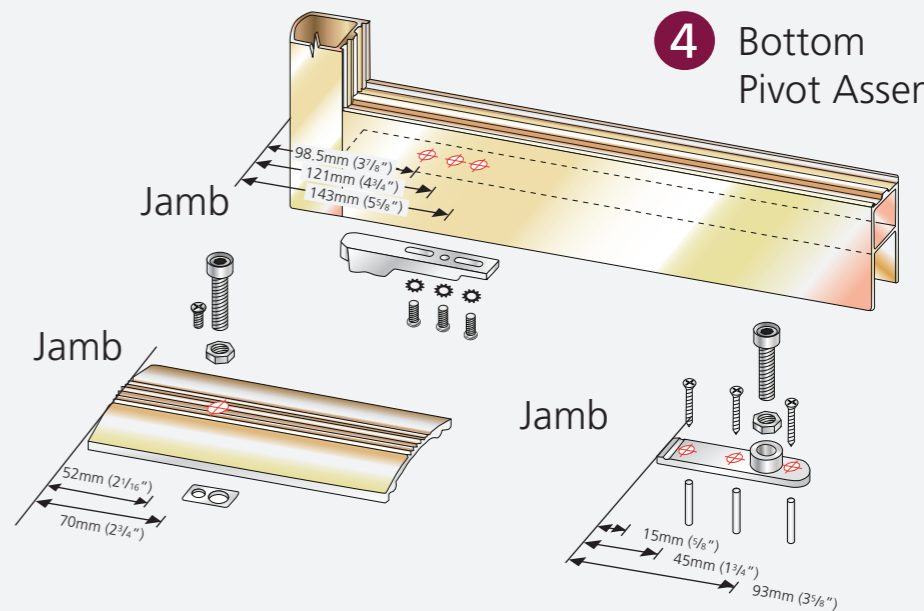
### 2 Transom/Header Bar 70mm Pivot Point



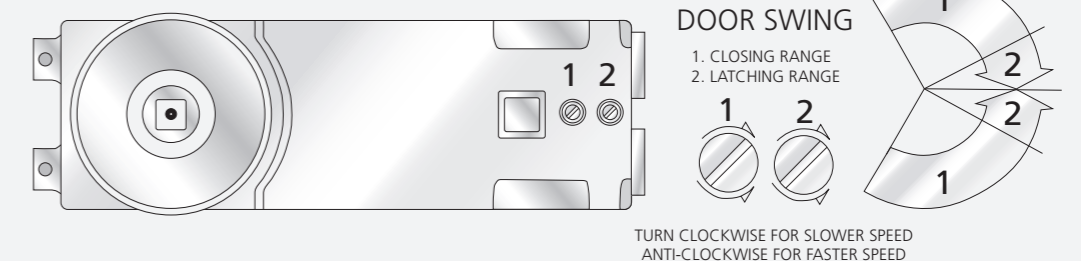
### 3 Side-Load Top Arm and Channel



### 4 Bottom Pivot Assembly



## Closing Speed Adjustment



## 2-4 Power Adjustment

Model/Unit	EN Size	Max. weight kg	Max. door width	Max. opening angle
TS 8002	2	70	850mm	130°
TS 8003	3	105	950mm	130°
TS 8004	4	150	1100mm	130°