



Enhancing life safety
at every fire door

Locks



APPROVED
EN 5851



CE 1121
EN 12209

DIN Locks - Deadlock



- BS EN 12209
- 55mm Backset
- Universal Fitting
- Double Throw Deadbolt
- Adjustable Keep
- Includes Plastic Back Box



3rd Party Certification



Guarantee



Max Door Weight



Technical Information

BS EN 12209 Classification

Rutland locks have been independently tested to EN 12209 performance standard. They are CE marked and classified.

Primary Fire Testing

Rutland locks have been tested to EN 1634 and BS 476. Test certificates are available on request.

Fire Doors

Intumescent MUST be used on fire doors – please enquire for latest testing details.

Finishes

See page 98 for more detail



SS
Satin Stainless

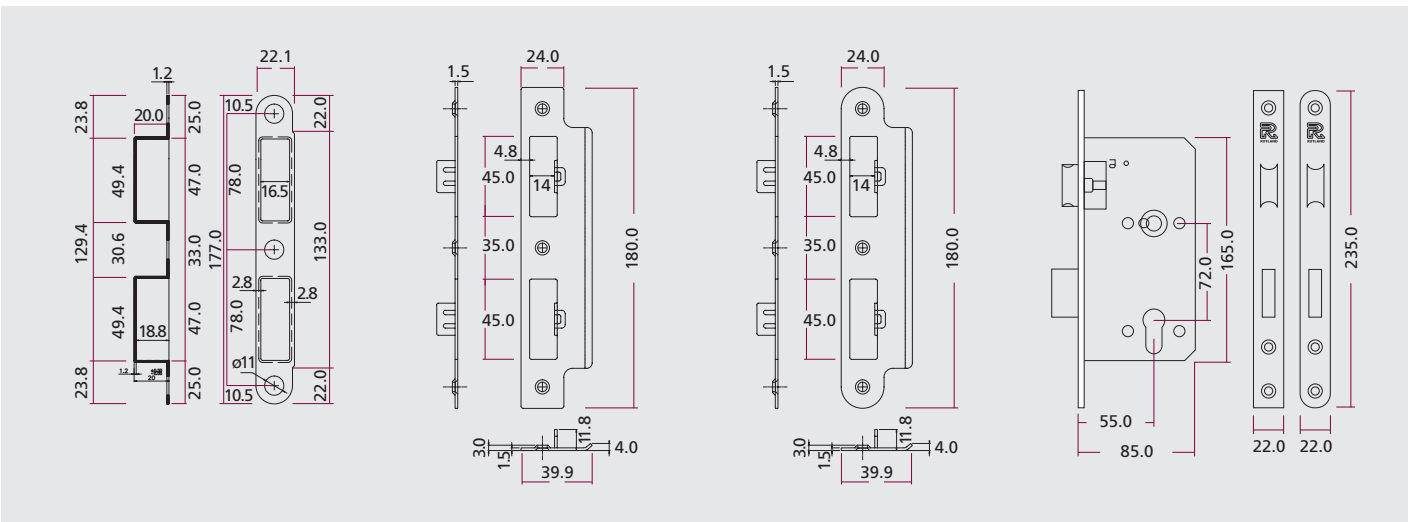
Styles



Square (SQ)



Radius (R)



Description	Finish	Re-order Code	Product Code	Box Qty
DIN Standard Dead Lock Backset size 55mm	Stainless Steel - Square	50339	RDL.DL.55.SSSQ	10
	Stainless Steel - Radius	50340	RDL.DL.55.SSR	10
Lock Intumescent Kit - suits 55/65mm backset sizes, both square and radius Din locks		12535	IP.DL	100

DIN Locks - Latch

- BS EN 12209
- 55mm Backset
- Universal Fitting
- Adjustable Keep
- Includes Plastic Back Box



3rd Party Certification



Guarantee



Max Door Weight



Technical Information

BS EN 12209 Classification

Rutland locks have been independently tested to EN 12209 performance standard. They are CE marked and classified.

Primary Fire Testing

Rutland locks have been tested to EN 1634 and BS 476. Test certificates are available on request.

Fire Doors

Intumescent **MUST** be used on fire doors – please enquire for latest testing details.

Finishes

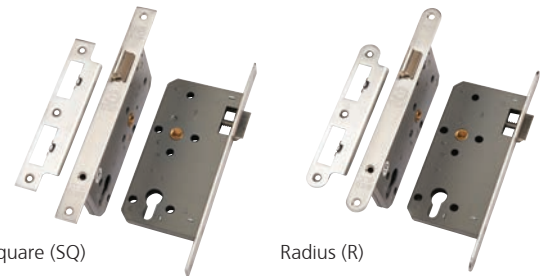
See page 98 for more detail



SS
Satin Stainless

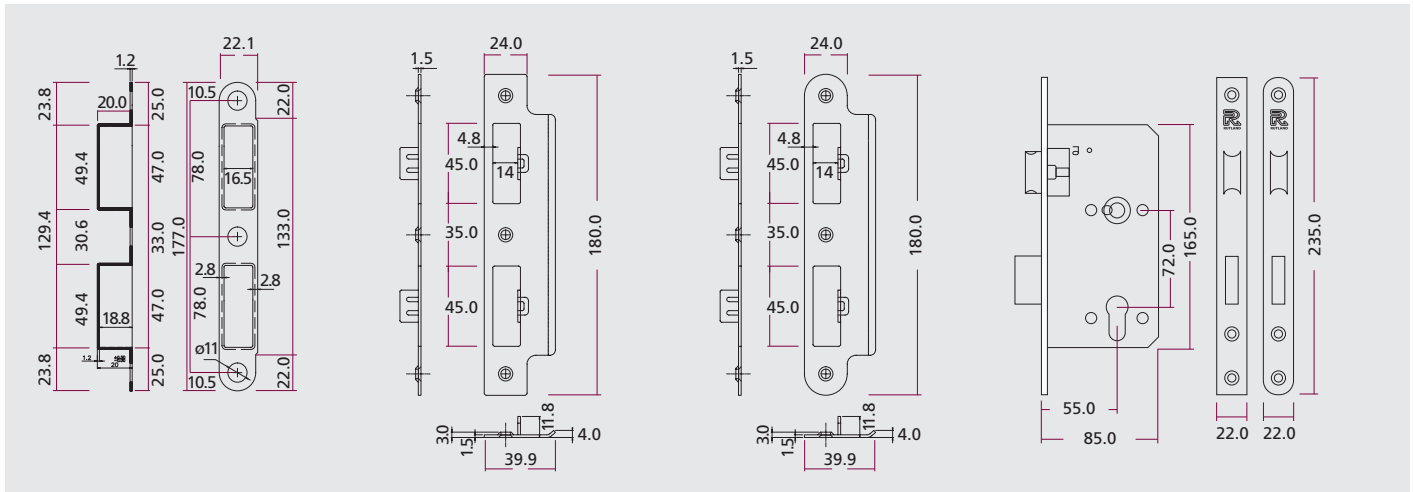


Styles



Square (SQ)

Radius (R)



Description	Finish	Re-order Code	Product Code	Box Qty
DIN Standard Latch Backset size 55mm	Stainless Steel - Square	50335	RDL.L.55.SSSQ	10
	Stainless Steel - Radius	50336	RDL.L.55.SSR	10
Lock Intumescent Kit - suits 55/65mm backset sizes, both square and radius Din locks		12535	IP.DL	100

DIN Locks - Euro Sash Lock



- BS EN 12209
- 55mm Backset
- Universal Fitting
- Double Throw Deadbolt
- Adjustable Keep
- Includes Plastic Back Box



3rd Party Certification



Guarantee



Max Door Weight



Technical Information

BS EN 12209 Classification

Rutland locks have been independently tested to EN 12209 performance standard. They are CE marked and classified.

Primary Fire Testing

Rutland locks have been tested to EN 1634 and BS 476. Test certificates are available on request.

Fire Doors

Intumescent MUST be used on fire doors – please enquire for latest testing details.

Finishes

See page 98 for more detail



SS
Satin Stainless



CF5851



2812

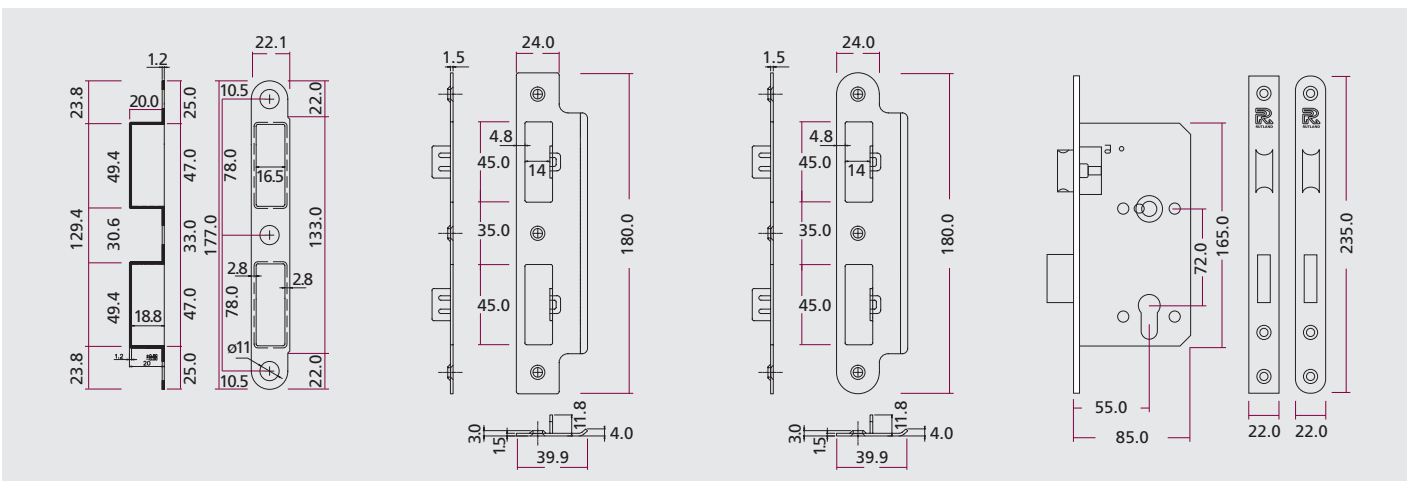
Styles



Square (SQ)



Radius (R)



Description	Finish	Re-order Code	Product Code	Box Qty
DIN Standard Euro Sash Lock Backset size 55mm	Stainless Steel - Square	50331	RDL.ESL.55.SSSQ	10
	Stainless Steel - Radius	50332	RDL.ESL.55.SSR	10
DIN Standard Euro Sash Lock Backset size 60mm	Stainless Steel - Square	-	RDL.ESL.60.SSSQ	10
	Stainless Steel - Radius	-	RDL.ESL.60.SSR	10
Lock Intumescent Kit - suits 55/65mm backset sizes, both square and radius Din locks		12535	IP.DL	100

DIN Locks - Bathroom Lock



- BS EN 12209
- 55mm Backset
- Universal Fitting
- Double Throw Deadbolt
- Adjustable Keep
- Includes Plastic Back Box



3rd Party Certification



Guarantee



Max Door Weight



Technical Information

BS EN 12209 Classification

Rutland locks have been independently tested to EN 12209 performance standard. They are CE marked and classified.

Primary Fire Testing

Rutland locks have been tested to EN 1634 and BS 476. Test certificates are available on request.

Fire Doors

Intumescent MUST be used on fire doors – please enquire for latest testing details.

Finishes

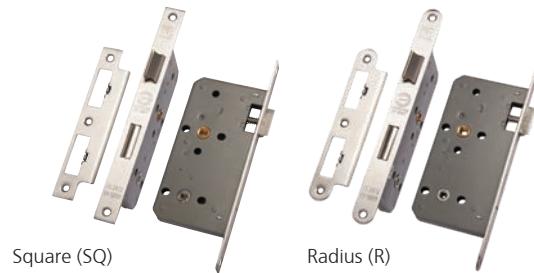
See page 98 for more detail



SS
Satin Stainless

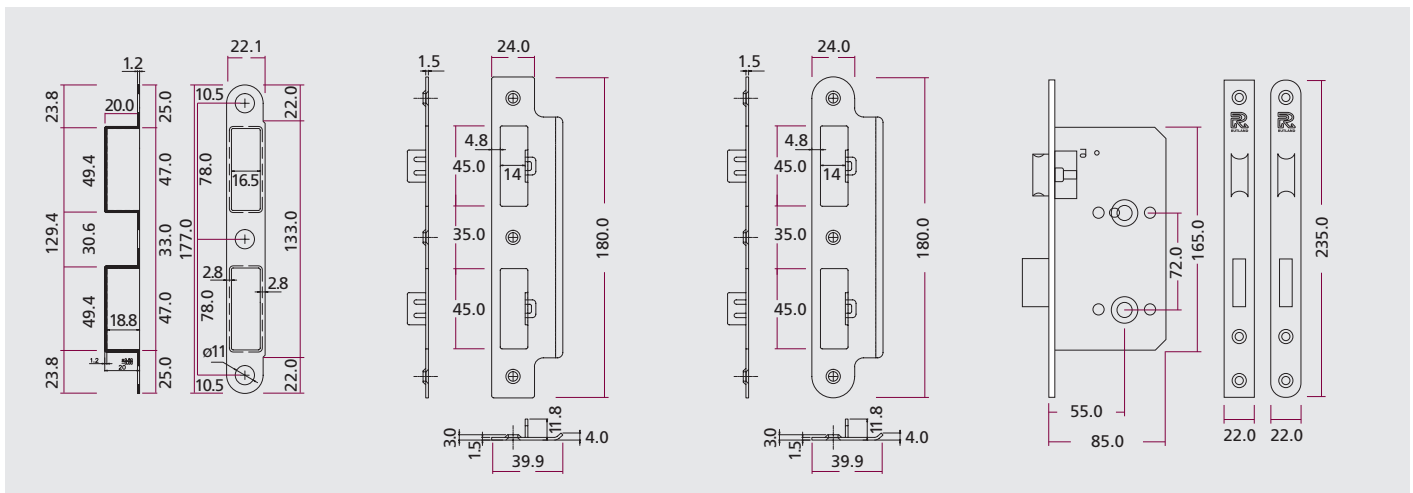


Styles



Square (SQ)

Radius (R)



Description	Finish	Re-order Code	Product Code	Box Qty
DIN Bathroom Lock Backset size 55mm	Stainless Steel - Square	50341	RDL.BL.55.SSSQ	10
	Stainless Steel - Radius	50342	RDL.BL.55.SSR	10
Lock Intumescent Kit - suits 55/65mm backset sizes, both square and radius Din locks		12535	IP.DL	100