

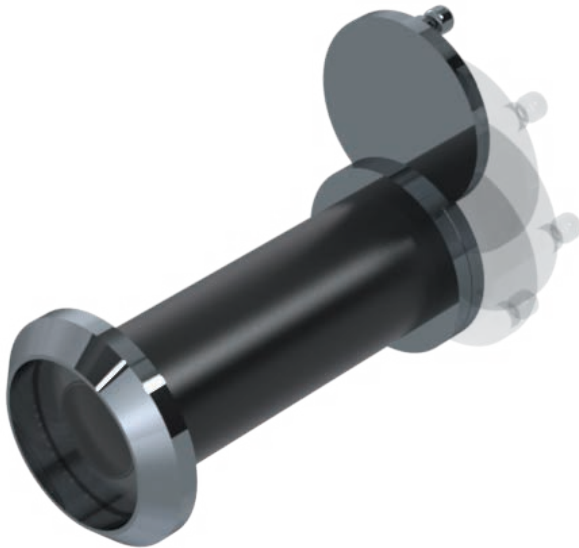
# Door Viewer



Rutland fire and security tested Door viewers are safety critical morticed components of the front entrance fire door. From a security aspect, the wide-angle viewer is used to check who is the other side of an apartment door before opening. From a fire safety perspective they are fire and smoke tested to the requirements of TS002:2009.



Guarantee



### Product Features

Adjustable for Door thickness 41 to 74mm	✓
Wide angle vision 140°	✓
Supplied with pre-applied intumescent as standard	✓
Privacy cover	✓
Core diameter 14mm dia	✓
Patented design for fire integrity	✓
Mortice cut 18mm dia	✓

### Compliance - Certification & Testing

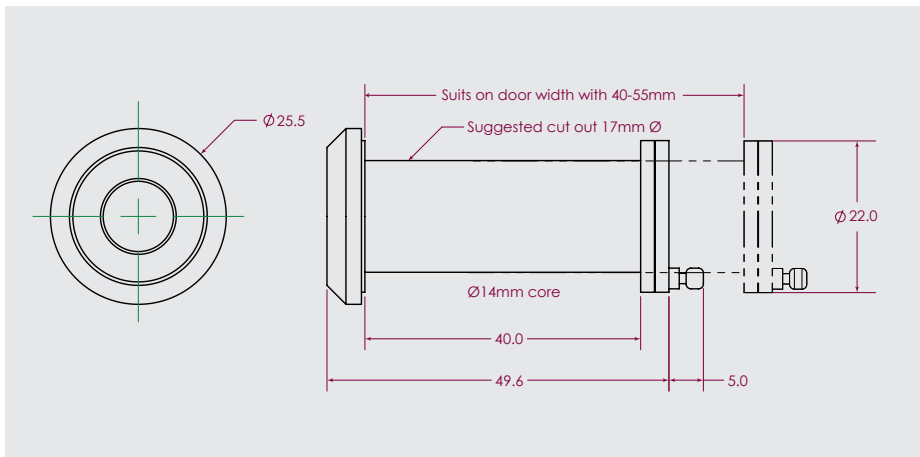
Tested to DHF TS002:2009	✓
Fire tested BS EN 1634-1*	✓
Smoke tested BS EN 1634-3*	✓
Corrosion resistance BS EN 1670	Grade 5
Police Secured by Design (SBD) Preferred Specification	✓

\*Tested as named component in Timber Doorset  
\*\*Door viewer to be ordered separately

### TS 002 : 2009 Classification

Category of use	N/A
Durability	N/A
Door Mass	N/A
Fire Resistance	B
Safety	N/A
Corrosion Resistance	5
Security	1
Type of operation	41/74

### Finishes



Description	Finish	Re-order Code	Product Code	Box Qty
Door Viewer	Polished Nickel	10827	RH.DV.PNP	150
	Satin Nickel	10828	RH.DV.SNP	150
	Polished Brass	10829	RH.DV.PB	150