



Push Side Fitting TS11204

TEL: +44 (0) 1246 261 491 | www.rutlanduk.co.uk



Operations and
Maintenance Manual



3rd Party
Certification



110°
Open Angle



Two-Stage
Speed Regulation



1812



1720



35
YEARS
WARRANTY



1100mm
Max door width



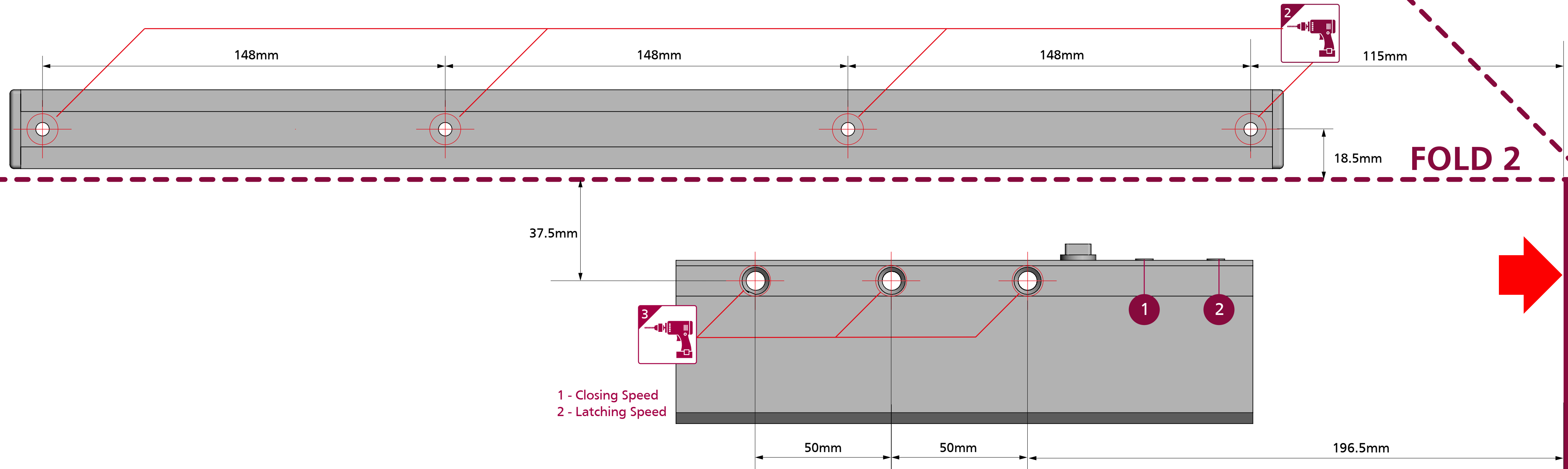
80Kg
Max door weight

BS EN 1154

3 8 2/4 1 1 3

PRINT TO A2 PAPER SIZE FOR 1:1 SCALE

FOLD 1



EN 2 - 4 Power Size

No of turns	EN Size	Max door width	110°	Max weight
-4	2 ^A	850mm	110°	45
0*	3	950mm	110°	60
+6	4	1100mm	110°	80

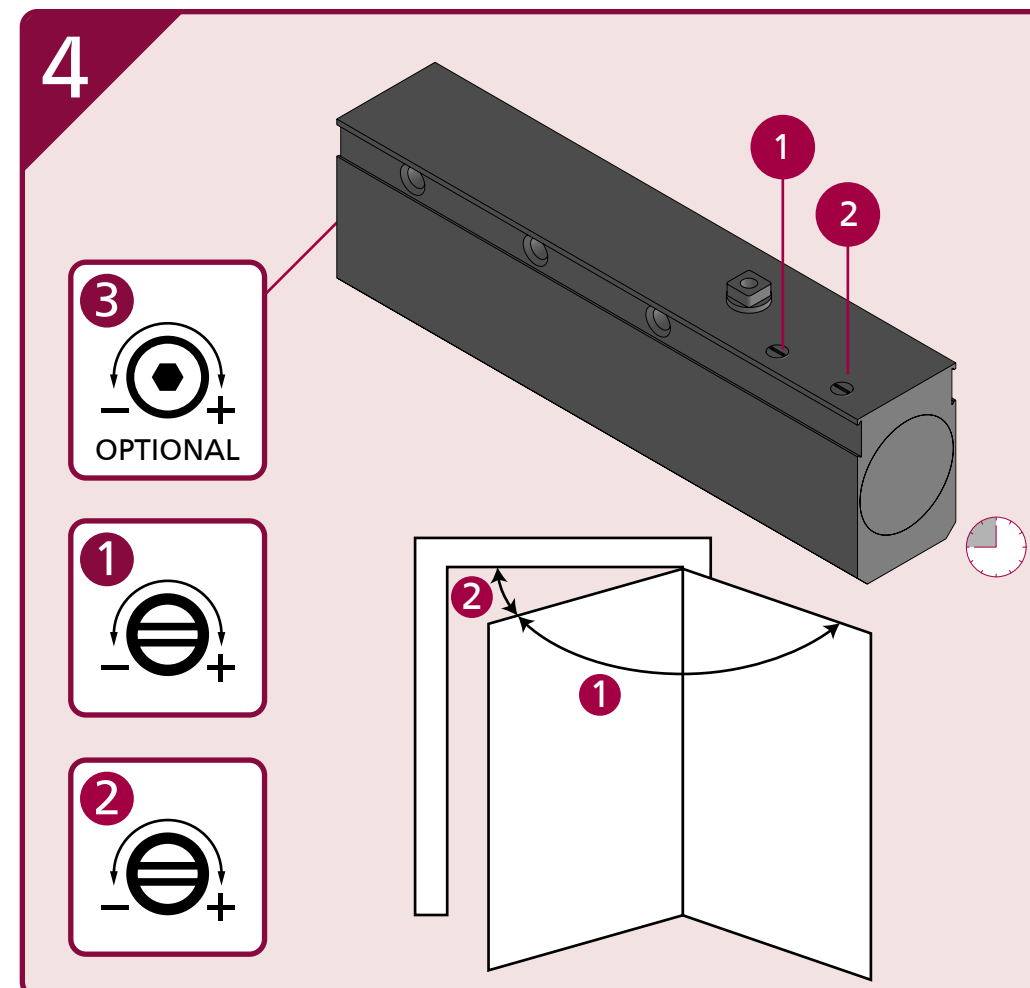
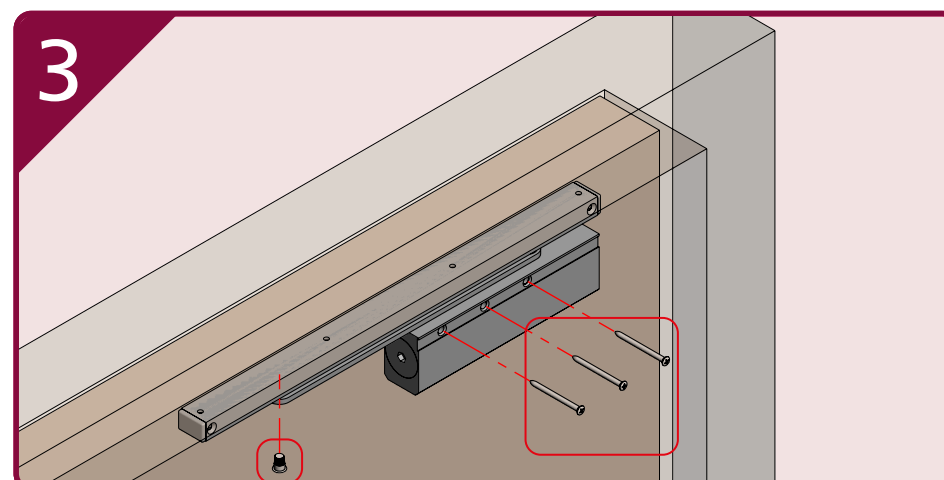
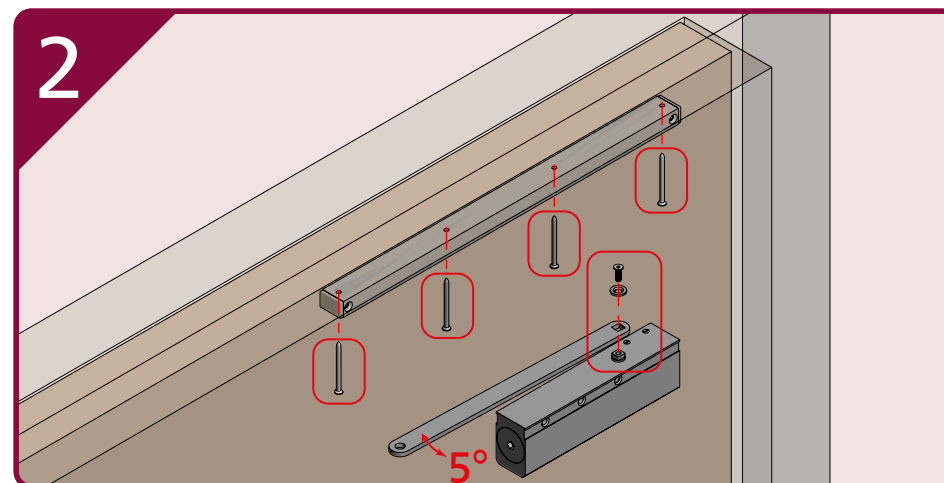
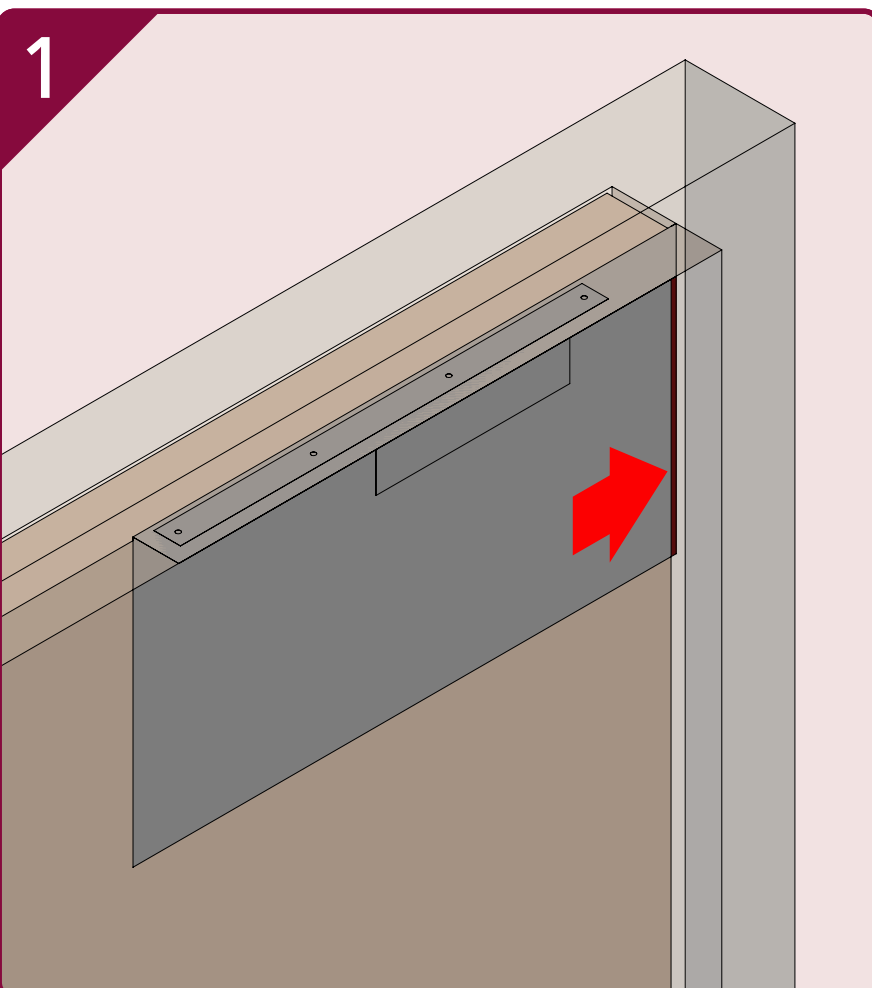
*FACTORY PRE-SET
A - EN2 NOT SUITABLE FOR FIRE DOOR

IMPORTANT NOTES:
DELAYED ACTION & BACK CHECK (DABC) VALVES ARE NOT STANDARD, THESE ARE OPTIONAL.
FOR UNINSULATED STEEL DOORS IP.95M MUST BE USED.
THE PINION BOLT MUST BE TIGHTENED TO 12Nm.

A MECHANICAL DOOR CLOSER IS NOT DESIGNED TO OVERCOME POOR FITTING, EXCESSIVE AIR PRESSURES OR BINDING SMOKE AND WEATHER SEALS. EXCESSIVE AIR PRESSURES CAN BE CREATED BY THROUGH DRAFT, BY AIR CONDITIONING, BY SMALL ROOMS WITHOUT VENTILATION, OR WHERE NO AIR TRANSFERS GRILLS ARE FITTED. MECHANICAL DOOR CLOSERS ARE DESIGNED TO CLOSE THE STATED AND TESTED SPECIFICATION OF DOOR WEIGHT AND DOORSETS/DOOR ASSEMBLIES WHEN DOORS ARE FITTED WITH CORRECT GAPS AND NOT BINDING ON SEALS. IF YOU ENCOUNTER PROBLEMS WITH DOORS NOT CLOSING PLEASE WATCH OUR "6 WAYS TO TROUBLESHOOT A DOOR CLOSER" VIDEO ONLINE. WHERE DOORS ARE NOT CLOSING DUE TO AIR PRESSURES THEN PROFESSIONAL ADVICE FROM AN AUTHORISED INSTALLER IS RECOMMENDED TO FIT TESTED AND THIRD PARTY CERTIFIED AIR TRANSFER GRILLS AND/OR AUTOMATIC DOOR OPERATORS.

NOTE: BC VALVES ARE DESIGNED TO ASSIST BACK-CHECK AND DO NOT REPLACE THE REQUIREMENT FOR CORRECTLY FITTED DOORSTOPS OR SAFETY BARRIERS.

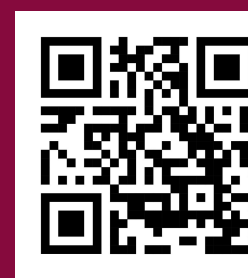
FURTHER WARRANTY INFORMATION: <https://www.rutlanduk.co.uk/rutland-warranty>





Push Side Fitting TS11204

TEL: +44 (0) 1246 261 491 | www.rutlanduk.co.uk



Operations and Maintenance Manual



3rd Party Certification



110° Open Angle



Two-Stage Speed Regulation



1812



1720



35 YEARS WARRANTY



1100mm Max door width



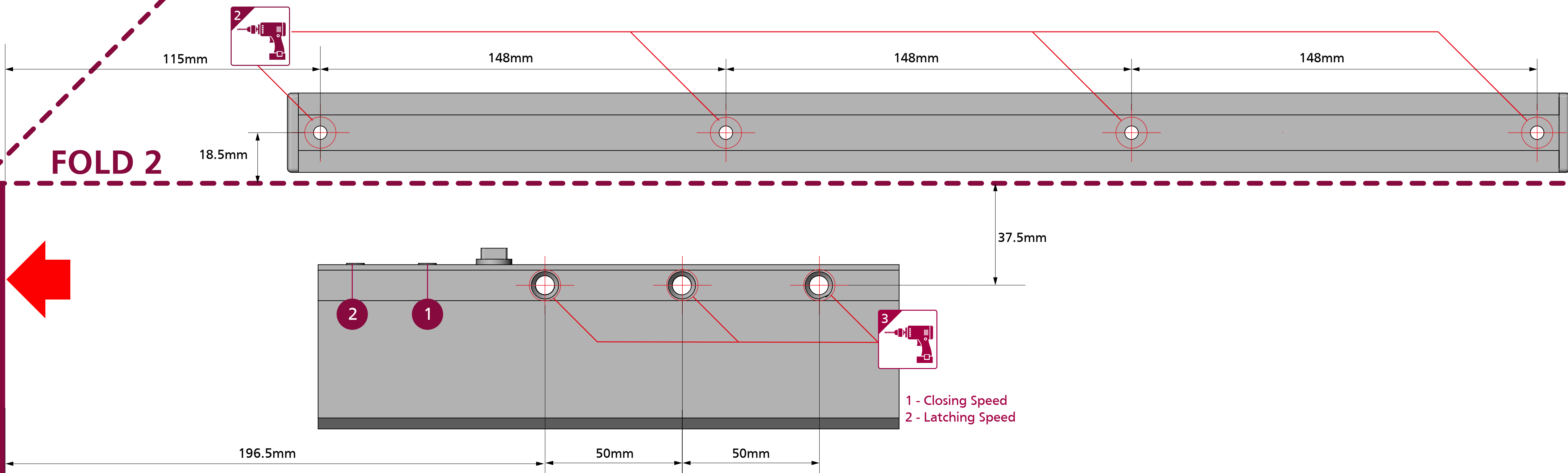
80Kg Max door weight

BS EN 1154

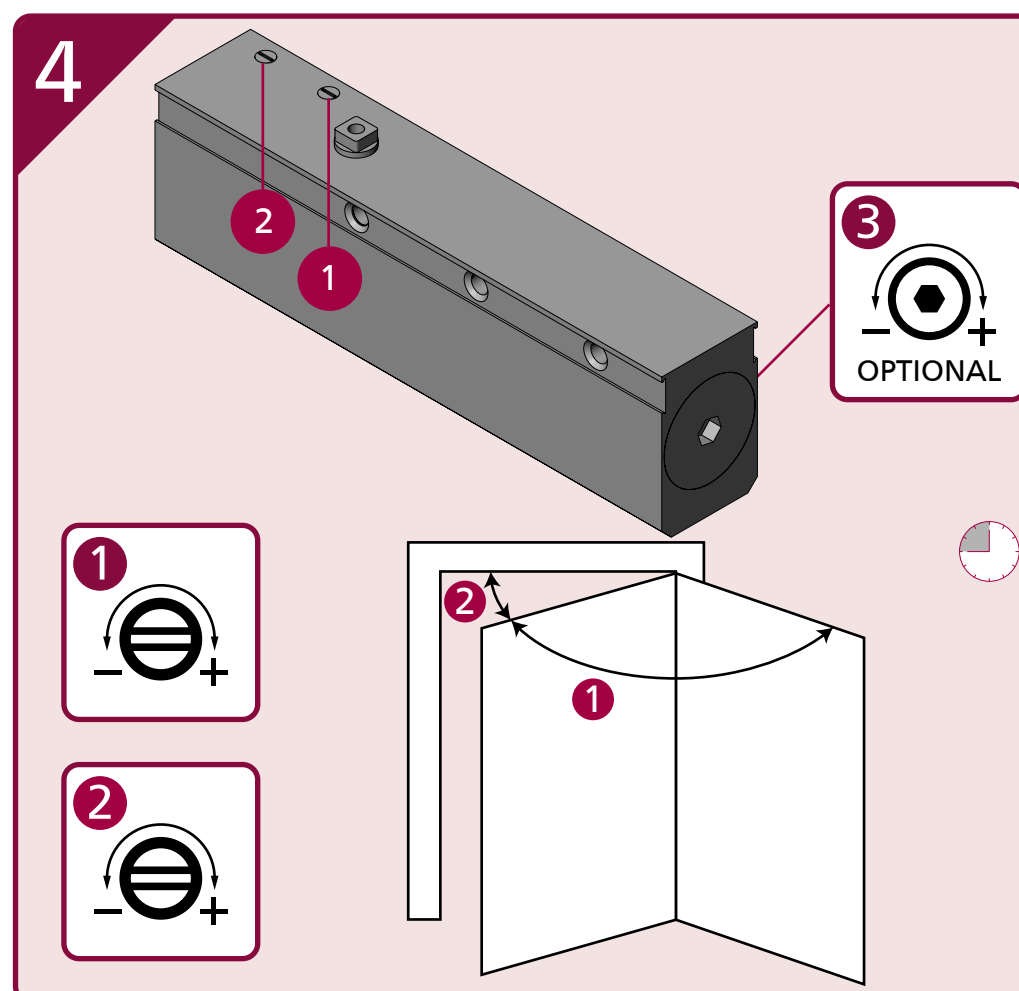
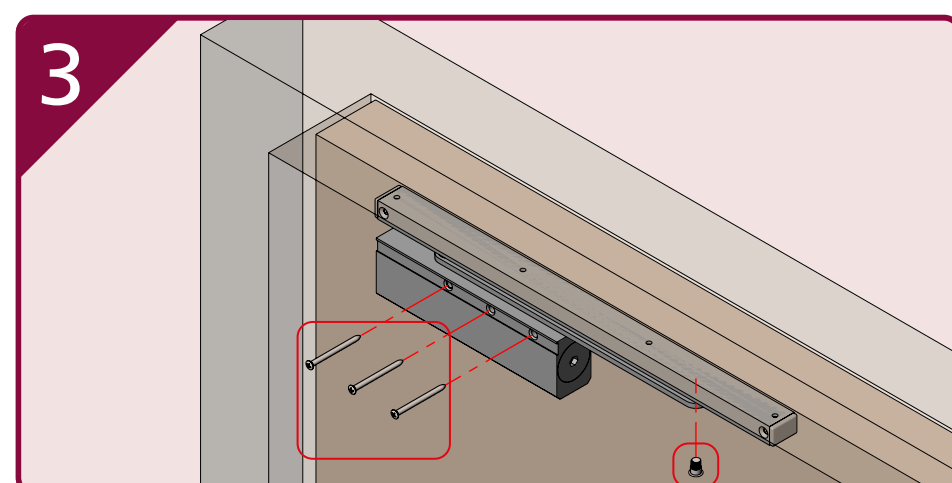
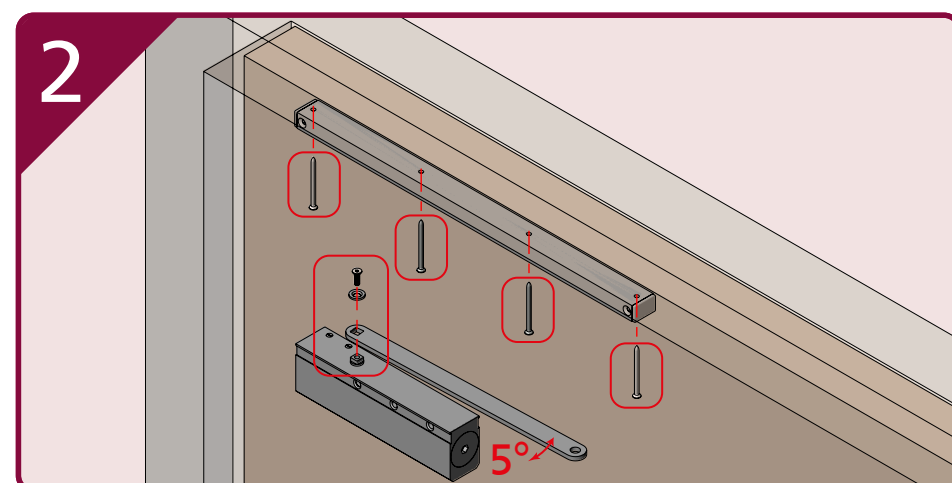
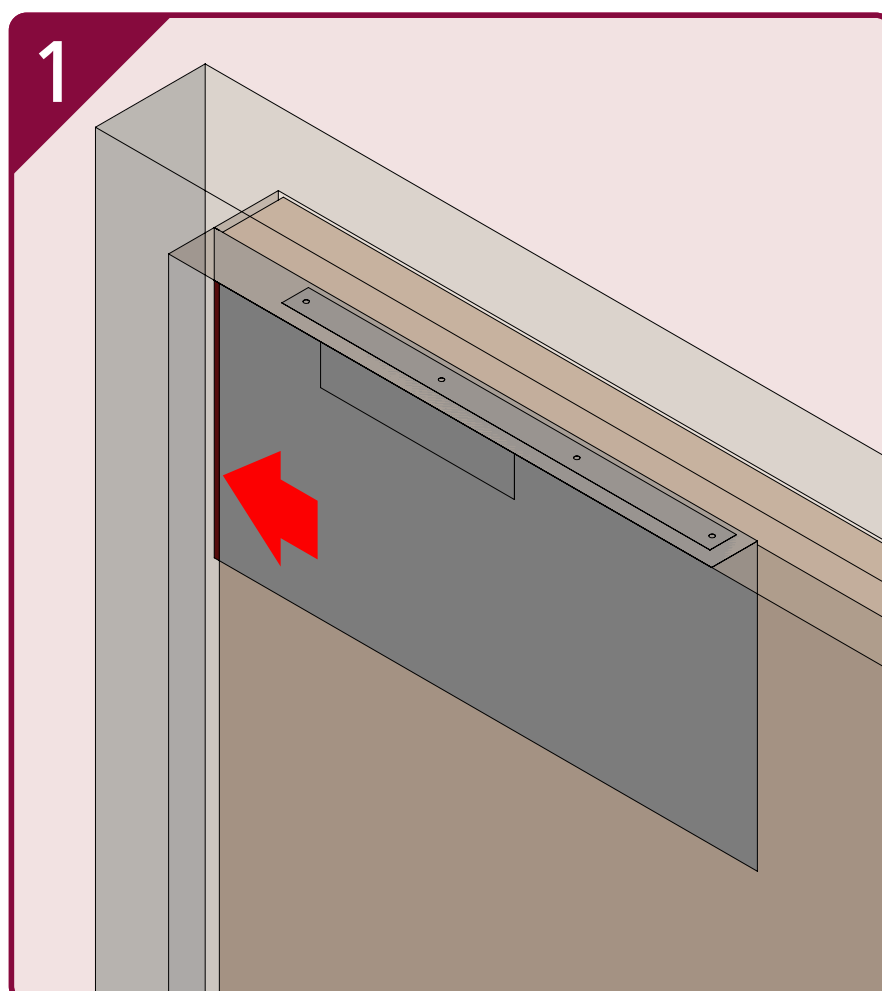
3 8 2 4 1 1 3

FOLD 1

FOLD 2



1 - Closing Speed
2 - Latching Speed



EN 2 - 4 Power Size

No of turns	EN Size	Max door width	Open Angle	Max weight
-4	2 ^A	850mm	110°	45
0*	3	950mm	110°	60
+6	4	1100mm	110°	80

*FACTORY PRE-SET
A - EN2 NOT SUITABLE FOR FIRE DOOR

IMPORTANT NOTES:
DELAYED ACTION & BACK CHECK (DABC) VALVES ARE NOT STANDARD, THESE ARE OPTIONAL.
FOR UNINSULATED STEEL DOORS IP.95M MUST BE USED.
THE PINION BOLT MUST BE TIGHTENED TO 12Nm.

A MECHANICAL DOOR CLOSER IS NOT DESIGNED TO OVERCOME POOR FITTING, EXCESSIVE AIR PRESSURES OR BINDING SMOKE AND WEATHER SEALS. EXCESSIVE AIR PRESSURES CAN BE CREATED BY THROUGH DRAFT, BY AIR CONDITIONING, BY SMALL ROOMS WITHOUT VENTILATION, OR WHERE NO AIR TRANSFERS GRILLS ARE FITTED. MECHANICAL DOOR CLOSERS ARE DESIGNED TO CLOSE THE STATED AND TESTED SPECIFICATION OF DOOR WEIGHT AND DOORSETS/DOOR ASSEMBLIES WHEN DOORS ARE FITTED WITH CORRECT GAPS AND NOT BINDING ON SEALS. IF YOU ENCOUNTER PROBLEMS WITH DOORS NOT CLOSING PLEASE WATCH OUR "6 WAYS TO TROUBLESHOOT A DOOR CLOSER" VIDEO ONLINE. WHERE DOORS ARE NOT CLOSING DUE TO AIR PRESSURES THEN PROFESSIONAL ADVICE FROM AN AUTHORISED INSTALLER IS RECOMMENDED TO FIT TESTED AND THIRD PARTY CERTIFIED AIR TRANSFER GRILLS AND/OR AUTOMATIC DOOR OPERATORS.

NOTE: BC VALVES ARE DESIGNED TO ASSIST BACK-CHECK AND DO NOT REPLACE THE REQUIREMENT FOR CORRECTLY FITTED DOORSTOPS OR SAFETY BARRIERS.

FURTHER WARRANTY INFORMATION: <https://www.rutlanduk.co.uk/rutland-warranty>