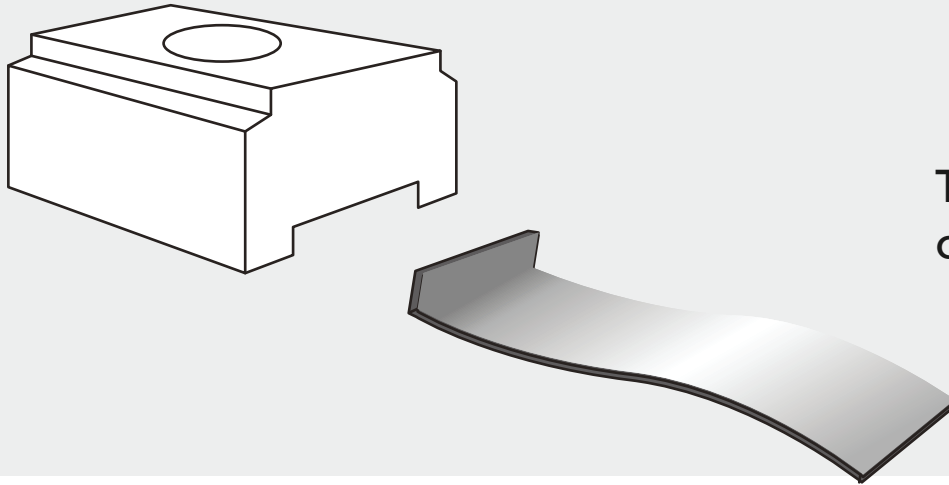


Hold Open Device

FOR NON-FIRE DOOR APPLICATION

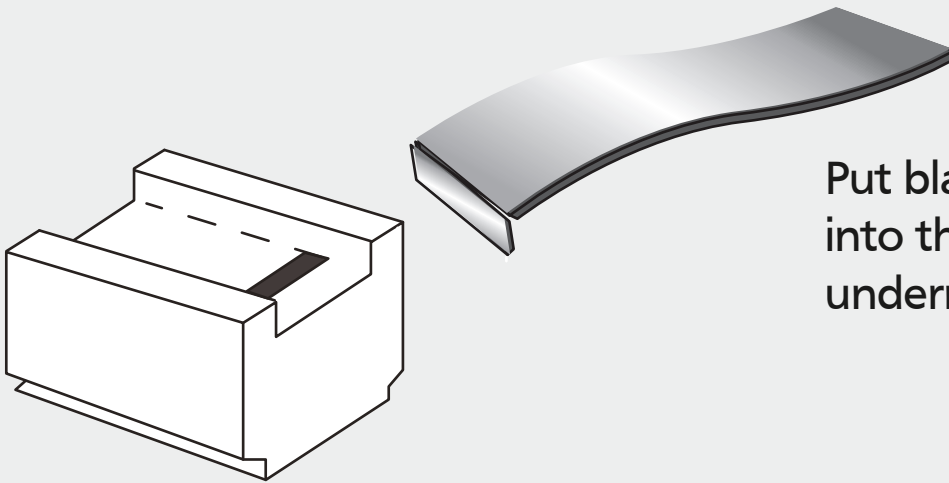


1



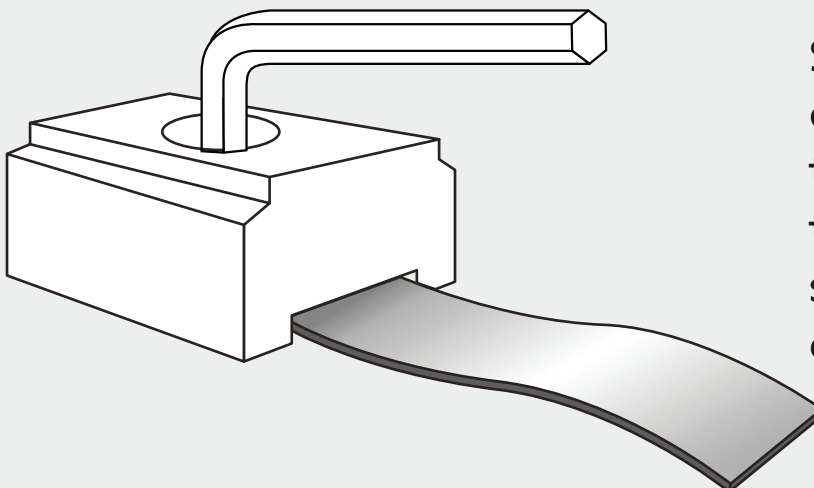
Take slide block out of rail

2



Put black spring clip into the slot underneath the block.

3



Slide block with hold open clip back into the slide rail, then tighten Allen key screw at desired angle of hold-open