

SCISSOR ARM DOOR CLOSERS

# TS.3204



SCISSOR ARM DOOR CLOSERS

# TS.3204

The TS.3204 is a Certifire approved and ideal choice for mid-range contracts, with power size 3/4, adjustable by template, and optional back check.

- Available in Silver, Satin Nickel, Polished Nickel, Polished Brass White for next day delivery
- Easy to read instructions, saving over 12 minutes of fitting time
- Corrosion Grade 3 - Recommended for internal use



FD30 to FD120  
Timber Doors



Opening Angle  
180°



Two-Stage  
Speed Regulation



Guarantee



Max Door  
Width



Max Door  
Weight



Product Features	TS.3204
Delayed Action	-
Back Check	TS.3204BC
Opening Angle	180°
Fig.1 Pull Side Door Width	300-1100mm
Fig.66 Push Side Door Width	470-950mm
Max Door Weight	<80kg
Power Adjustment	By Template
Hold Open (not for fire doors)	o
Dimensions (including cover)	W250 x H66 x D43mm

Certification Compliance	
Certifire (Not applicable for BC versions)	✓
UKCA	✓
CE	✓
BS EN 1154	✓
BS EN 1634	✓
UL10C	-
UL228	✓
ANSI BHMA	-
IFCC	✓
EPD 3.09E+01 kg CO <sub>2</sub> eq	✓

**Key:** ✓ Yes - No o Option

Finishes

See page 96 for more detail



SE  
Silver



SNP  
Satin Nickel



PNP  
Polished Nickel



WH  
White



PVD  
Polished Brass



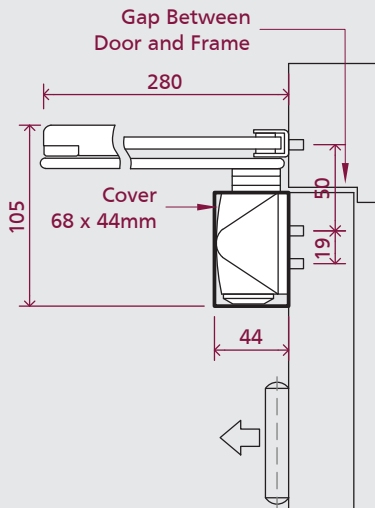
1720



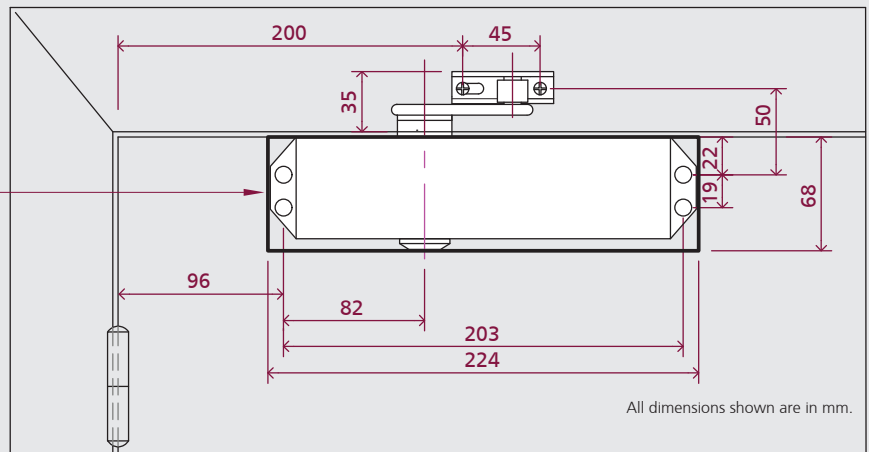
Approved Product  
CF 6018



1812



Cover  
68 x  
224mm



All dimensions shown are in mm.

For fitting instructions see website