



# Push-side Transom Mount Fig 61 - TS24

TEL: +44 (0) 1246 261 491 | www.rutlanduk.co.uk



Operations and Maintenance Manual



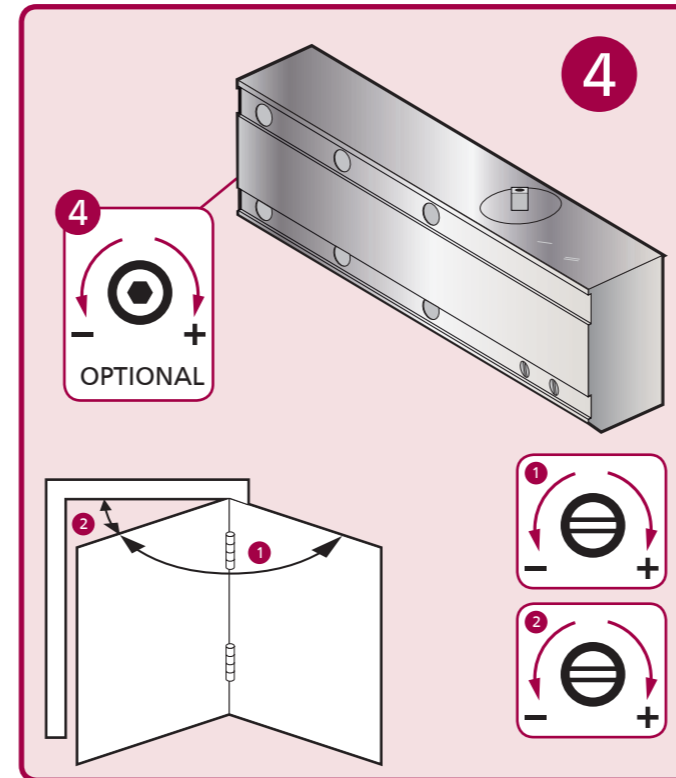
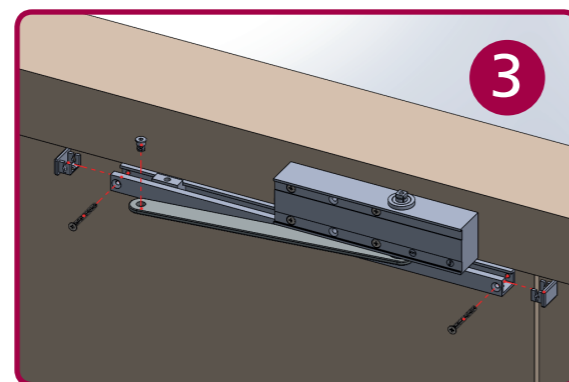
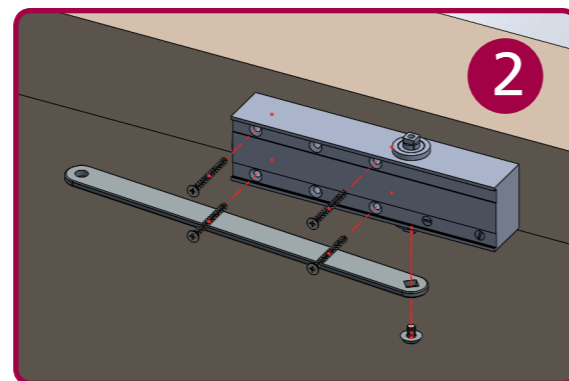
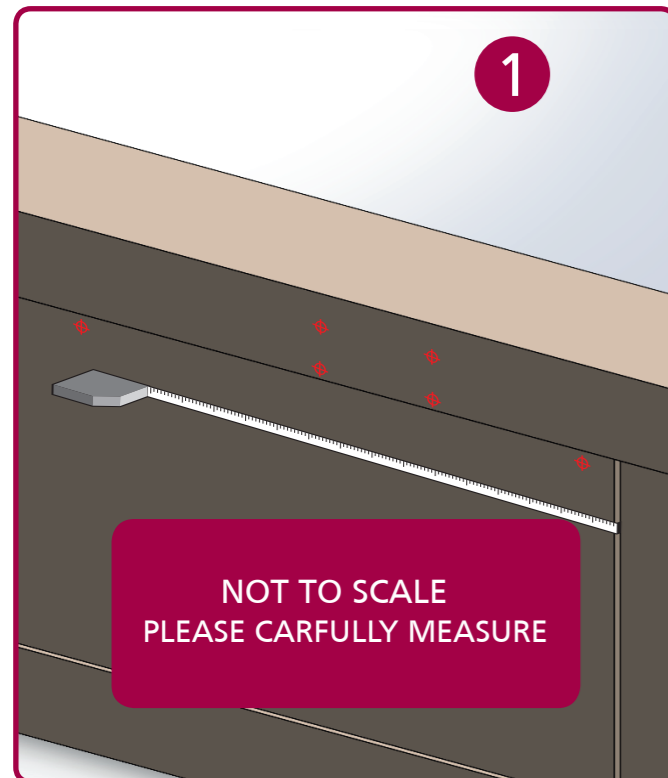
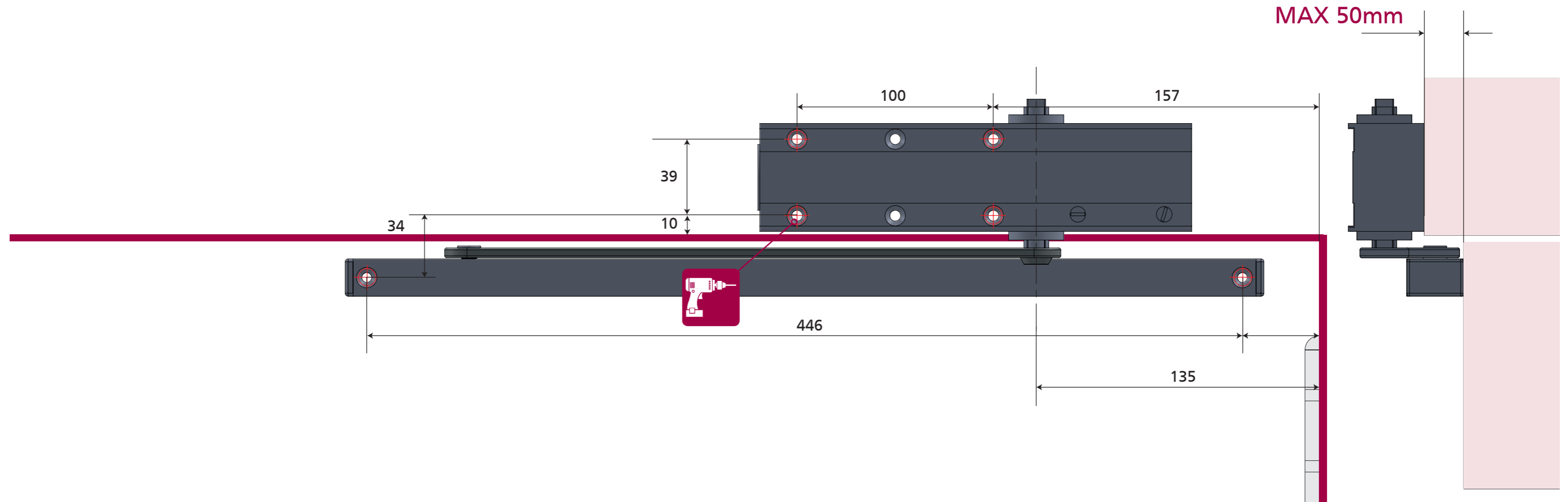
10 YEARS WARRANTY



1100mm Max door width



80Kg Max door weight



2-4 Power Adjustment

No. of turns	Size	Max. door width	Max. opening angle	Max weight
-4	2"	850mm	180°	45
*0	3	950mm	180°	60
+6	4	1100mm	120°	80

\* FACTORY PRE-SET  
 ■ NOT SUITABLE FOR FIRE DOORS

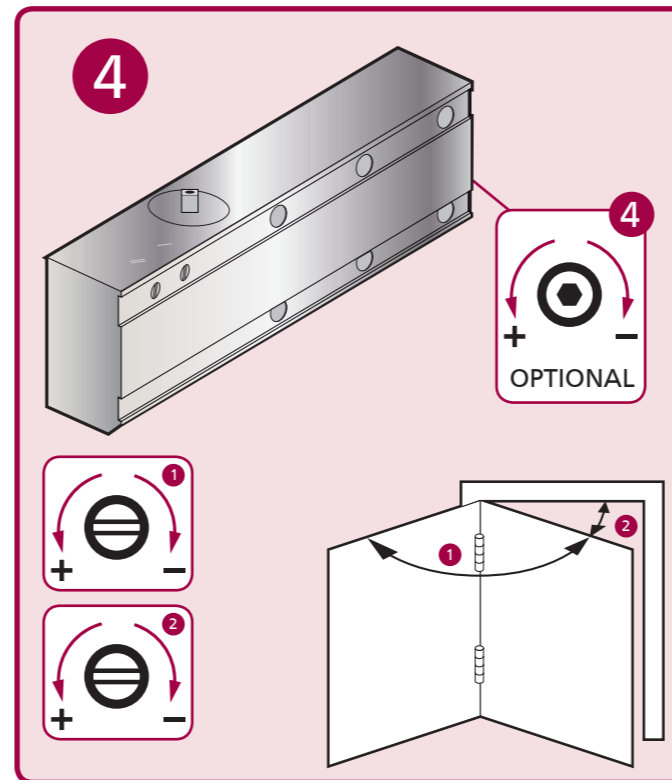
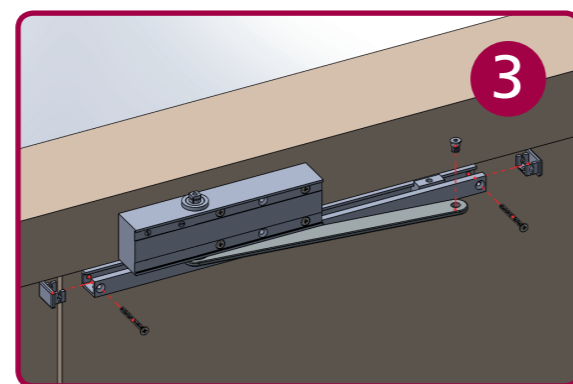
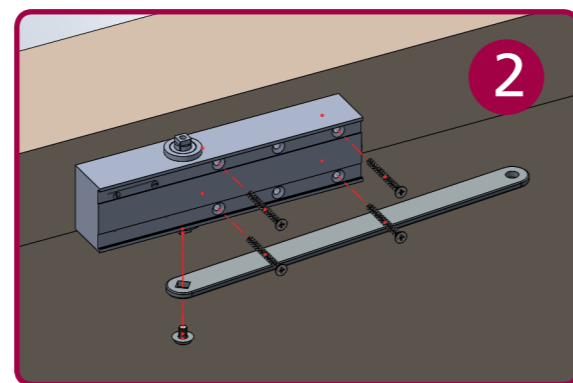
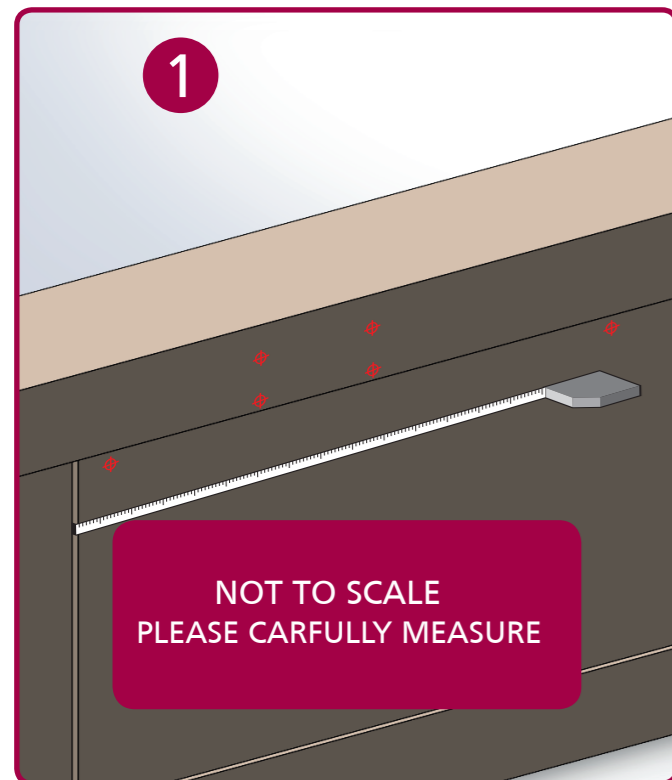
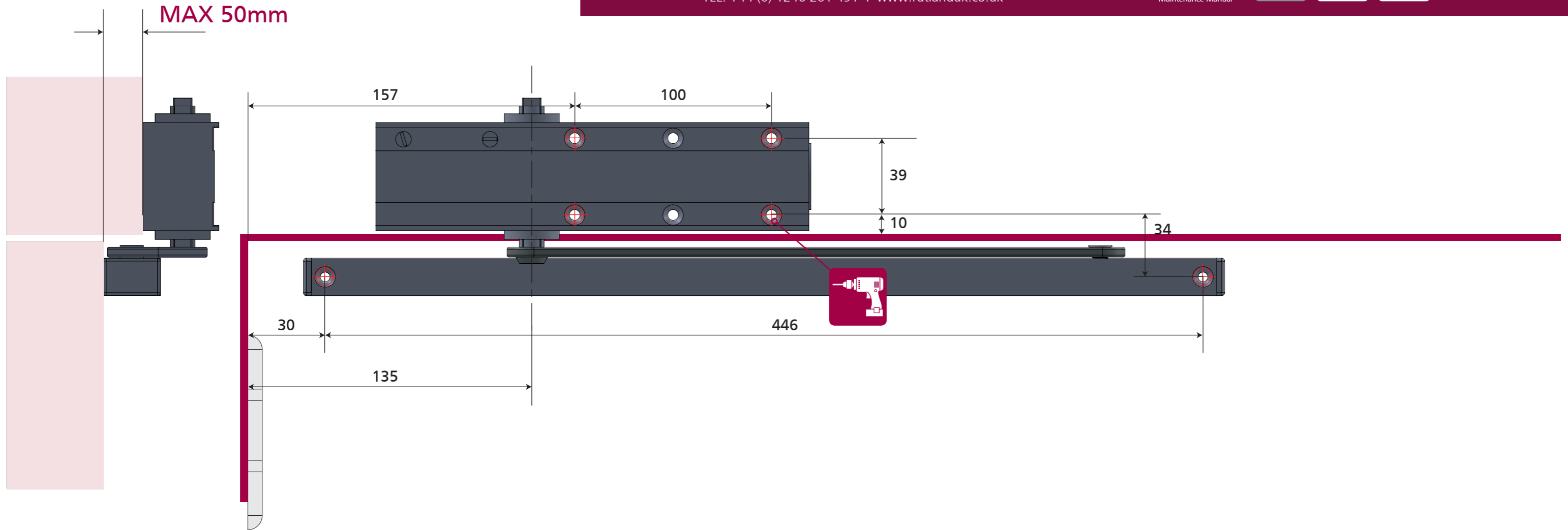
THE PINION BOLT MUST BE TIGHTENED TO 12NM

NO PART OF THIS INSTRUCTION CAN BE COPIED OR STORED IN ANY WAY OR FORM MANUALLY OR ELECTRONICALLY WITHOUT THE FULL PERMISSION OF RUTLAND



# Push-side Transom Mount Fig 61 - TS24

TEL: +44 (0) 1246 261 491 | www.rutlanduk.co.uk



2-4 Power Adjustment

No. of turns	Size	Max. door width	Max. opening angle	Max weight
-4	2"	850mm	180°	45
*0	3	950mm	180°	60
+6	4	1100mm	120°	80

\* FACTORY PRE-SET  
 ■ NOT SUITABLE FOR FIRE DOORS

THE PINION BOLT MUST BE TIGHTENED TO 12NM

NO PART OF THIS INSTRUCTION CAN BE COPIED OR STORED IN ANY WAY OR FORM MANUALLY OR ELECTRONICALLY WITHOUT THE FULL PERMISSION OF RUTLAND