

Lever Handle



Part of the Frontier Collection, the Rutland RH.RLB door handle is external grade and designed to assist BS8300 (formerly DDA).



Finishes



5
YEARS

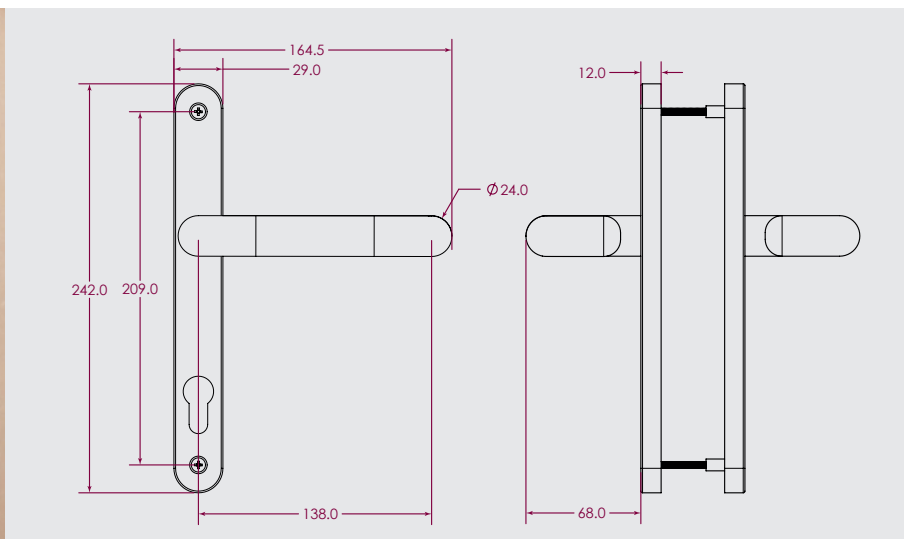
Guarantee

Product Features

24mm diameter x 164mm lever with a projection of 80mm compliant with BS8300 (formally DDA) and is designed to be ergonomically friendly and practical	✓
Backplate H242 x W29 x D12mm with concealed fixing on the outside	✓
Suitable for 35-54mm thick timber and composite doors	✓
Tested to over 200,000 cycles	✓
Guarantee 5 years	✓
Corrosion Resistance	✓
<ul style="list-style-type: none"> • White Grade 3 (96 hours) • Stainless Steel Grade 5 (480 hours) 	
Compliance - Certification & Testing	
Fire tested to BS EN 1634-1 – 30mins	✓
Security tested to PAS 24 with 3-star cylinder	✓

EN1906 : 2012 Classification

Category of use	3
Durability	7
Door Mass	N/A
Fire Resistance	B
Safety	0
Corrosion Resistance	3
Security	0
Type of operation	A



Description	Finish	Re-order Code	Product Code	Box Qty
Lever Handles	Polished Stainless Steel	10830	RH.RLB.PSS	10
	Satin Stainless Steel	10834	RH.RLB.SSS	10
	Polished Brass Plated	10832	RH.RLB.PB	10
	White Powder Coated	10833	RH.RLB.WH	10