

# Fire & Security Hinges



Guarantee



Max Door Weight



### Product Features

Suitable for use with back check door closers	✓
Welded button tip	✓
Height	102mm
Thickness	3mm
Material - Stainless Steel	Grade 201

### Compliance - Certification & Testing

BS EN 1935 : 2002	✓
EN 1935	✓
EN 1634	✓
BS 476	✓
CE marked	✓

### Fire Doors

Intumescent MUST be used on fire doors – please enquire for latest testing details.

### Finishes



SS  
Satin Stainless

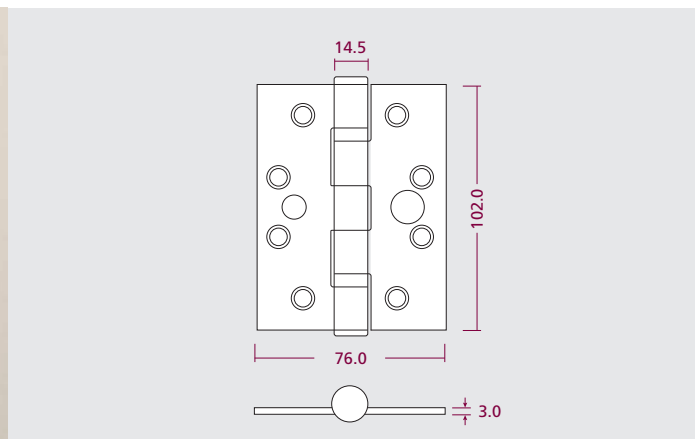
### Styles



Square (SQ)



Radius (R)



Description	Finish	Re-order Code	Product Code	Box Qty
Dog Bolt Security Hinge	Stainless Steel - Square	50339	RH.DBSH.34.SSS	40
	Stainless Steel - Radius	50340	RH.DBSH.34.SSR	40
Hinge Pad Intumescent Kit for 102x76mm Square or Radius (Singles)		12682	IP.HP43	500