

SCISSOR ARM DOOR CLOSERS

# TS.9205



The Shard, London UK



SCISSOR ARM DOOR CLOSERS

# TS.9205

TS.9205 MARINE 316 door closer has been designed for external use, a popular and highly efficient door closer with both optional back check and delayed action, and assisting BS8300.

- Power Adjustable EN2-5.
- Standard finishes - Corrosion resistance - Grade 3: High Corrosion resistance
- MARINE 316 - Grade 5: Exceptionally high corrosion resistance
- Slimline body & cover with only 40mm projection.
- EN2-5 parallel arm an optional using short parallel arm basket (Product Code: PAB.1)



FD30 to FD120  
Timber Doors



Opening Angle  
180°



Two-Stage  
Speed Regulation



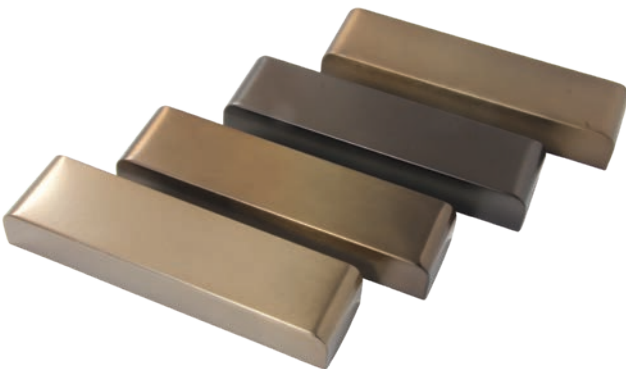
Guarantee



Max Door  
Width



Max Door  
Weight

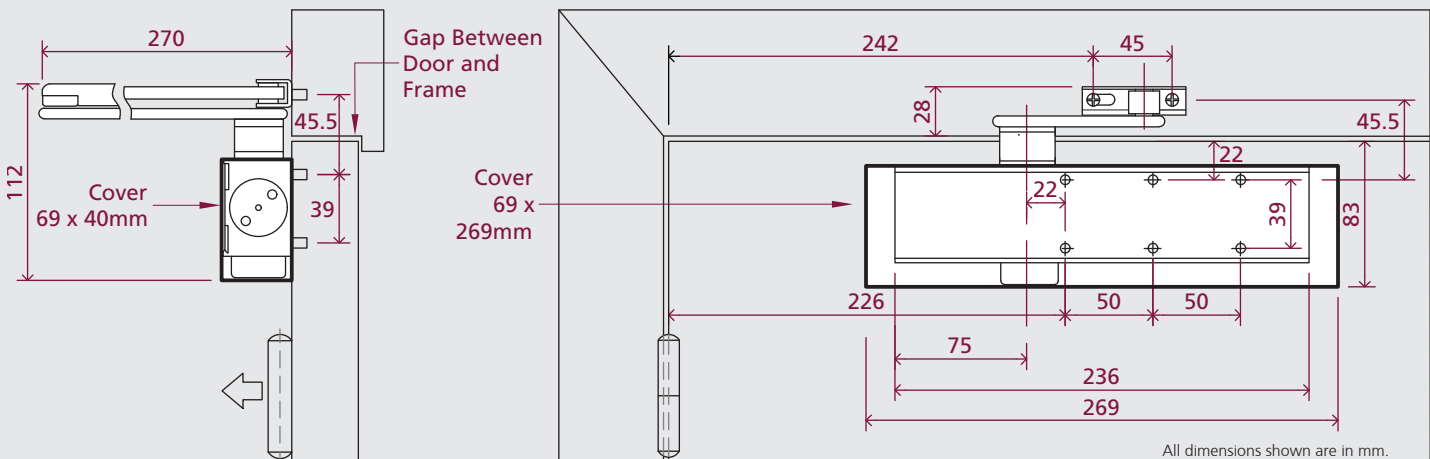


**Finishes**

See page 96 for more detail



Product Features	TS.9205
Delayed Action	✓
Back Check	✓
Opening Angle	180° (Fig 1)
Fig.1 Pull Side Door Width	390-1250mm
Fig.66 Push Side Door Width	390-1100mm
Fig.1 BS8300 Min Door Width	835mm
Fig.66 BS8300 Min Door Width	728mm
Max Door Weight	<110kg
Power Adjustment	By Spring
Hold Open (not for fire doors)	◦
Dimensions (including cover)	W269 x H69 x D40mm
<b>Certification Compliance</b>	
Certifire	✓
UKCA	✓
CE	✓
BS EN 1154	✓
BS EN 1634	✓
BS EN 1670	Grade 5
UL10C	-
UL228	✓
ANSI BHMA	-
EPD 3.09E+01 kg CO <sub>2</sub> eq	✓
<b>Key:</b> ✓ Yes - No ◦ Option	



For fitting instructions see website