

PRODUCT FILE

TS.5204

Pack includes:

- Specification/Data sheet
- Product codes
- Fire certification – Certifire Certificate
- EU CE cert
- EU CE Declaration of Performance (DoP)
- UKCA cert
- UKCA Declaration of Performance (DoP)
- Secured by Design cert
- Fitting instructions
- O&M Manual

SCISSOR ARM DOOR CLOSERS

TS.5204



Townlands Hospital – Henley on Thames

SCISSOR ARM DOOR CLOSERS

TS.5204

The TS.5204 is an easily adjustable and economical door closer that is power adjustable by spring, with back check as standard, and optional delayed action.

- Assists BS8300 meaning easy use for the less able.
- Available in Silver, Satin Nickel, Polished Nickel, Polished Brass, Antique Brass and Black for next day delivery
- Universal application meaning it can be fitted in Standard, Parallel arm or Transom fitting position



FD30 to FD120
Timber Doors



Opening Angle
180°



Two-Stage
Speed Regulation



Guarantee



Max Door
Width



Max Door
Weight



Finishes

See page 96 for more detail



SE
Silver



SNP
Satin Nickel



PNP
Polished Nickel



PVD
Polished Brass



AB
Antique Brass



BK
Black



Approved Product
CF 6018



Official Police Security Initiative

Product Features

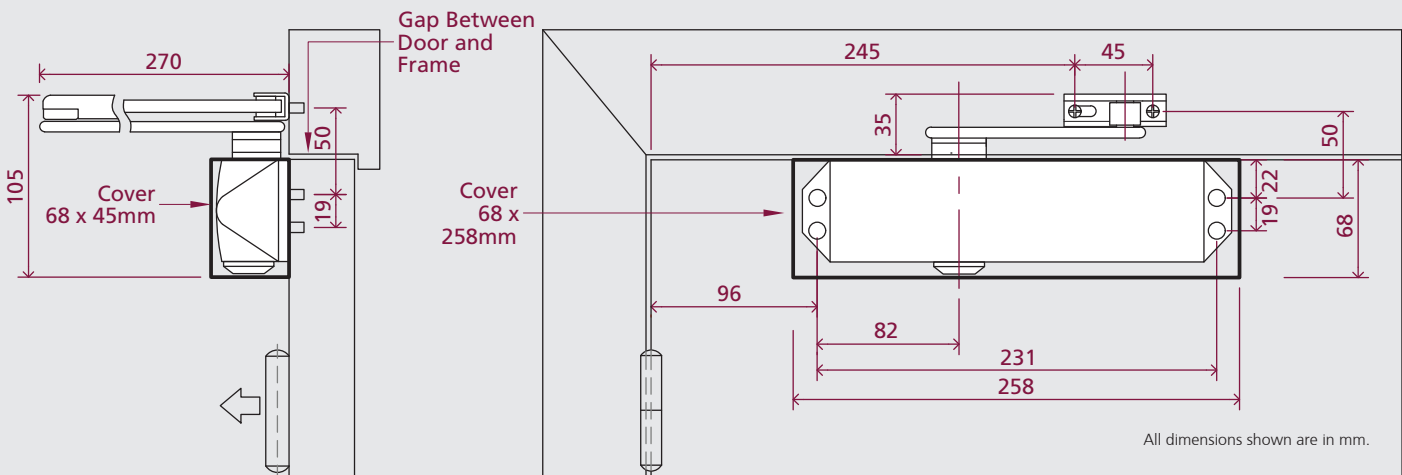
TS.5204

Delayed Action	TS.5204DABC
Back Check	TS.5204BC
Opening Angle	180°
Fig.1 Pull Side Door Width	360-1100mm
Fig.66 Push Side Door Width	485-985mm
Fig. 1 BS8300 Door Width	920mm
Fig.66 BS8300 Door Width	887mm
Max Door Weight	<80kg
Power Adjustment	By Spring
Hold Open (not for fire doors)	o
Dimensions (including cover)	W258 x H68 x D45mm

Certification Compliance

Certifire	✓
UKCA	✓
CE	✓
BS EN 1154	✓
BS EN 1634	✓
UL10C	-
UL228	✓
ANSI BHMA	-
EPD 3.09E+01 kg CO ₂ eq	✓

Key: ✓ Yes - No o Option



All dimensions shown are in mm.

For fitting instructions see website


Description	EN Size	Finish	Re-order Code	Product Code	Box Qty
-------------	---------	--------	---------------	--------------	---------

TS.5204

WITH DELAYED ACTION AND BACK CHECK

 <p>TS.5204 Standard unit (closer, flat bar and DELAYED ACTION & BACK CHECK)</p>	2-4	Silver		11501	TS.5204DABC.FB.SE	10
	2-4	Silver		11826	TS.5204DABC.SRFB.SESE	8
 <p>TS.5204 Combined unit (closer, flat bar armset, cover, PA bracket and DELAYED ACTION & BACK CHECK)</p>	2-4	Satin Nickel		11272	TS.5204DABC.SRFB.SNPSNP	8
	2-4	Polished Nickel		11273	TS.5204DABC.SRFB.PNPPNP	8
	2-4	Polished Brass		11274	TS.5204DABC.SRFB.PVDPVD	8
	2-4	Black		12526	TS.5204DABC.SRFB.RAL9011	8
	2-4	Colour Coated		11253	TS.5204DABC.SRFB.RAL*RAL*	8
 <p>TS.5204 Mechanism only with DELAYED ACTION & BACK CHECK</p>	2-4	Silver		11822	TS.5204DABC	10

WITH BACK CHECK

 <p>TS.5204 Standard unit (closer, flat bar and PA bracket & BACK CHECK)</p>	2-4	Silver		11406	TS.5204BC.FB.SE	10
	2-4	Silver		11409	TS.5204BC.SRFB.SESE	6
 <p>TS.5204 Combined unit (closer, flat bar armset, cover, PA bracket & BACK CHECK)</p>	2-4	Satin Nickel		11410	TS.5204BC.SRFB.SNPSNP	6
	2-4	Polished Nickel		11407	TS.5204BC.SRFB.PNPPNP	6
	2-4	Polished Brass		11408	TS.5204BC.SRFB.PVDPVD	6
	2-4	Black		12525	TS.5204BC.SRFB.RAL9011	6
	2-4	Colour Coated		11867	TS.5204BC.SRFB.RAL*RAL*	6
 <p>TS.5204 Mechanism only with BACK CHECK</p>	2-4	Silver		11415	TS.5204BC.SE	10
 <p>TS.5204 Semi Radius Covers</p>	-	Silver		11296	SR.54.SE	25
	-	Satin Nickel		11297	SR.54.SNP	25
	-	Polished Nickel		11294	SR.54.PNP	25
	-	Polished Brass		11295	SR.54.PVD	25
	-	Black		12018	SR.54.RAL9011	25



CERTIFICATE OF APPROVAL

No CF 6018

This is to certify that, in accordance with
TS00 General Requirements for Certification of Fire Protection Products
The undermentioned products of

RUTLAND UK

Whittington Way
Chesterfield
S41 9AG
TEL: 01246 261491

Have been assessed against the requirements of the Technical Schedule(s)
denoted below and are approved for use subject to the conditions
appended hereto:

CERTIFIED PRODUCT

TS.3204 & TS.5204 Series
Surface Mounted Overhead
Closers

TECHNICAL SCHEDULE

TS 34 - The Contribution Of
Controlled Door Closing
Devices And Accessories To
Fire Resisting Doorsets

Signed and sealed for and on behalf of Warringtonfire Testing and Certification Limited

Paul Duggan
Certification Manager



Issued: 7th December 2021
Revised: 18th September 2023
Valid to: 6th December 2026



CERTIFICATE No CF 6018 RUTLAND UK

TS.3204 & TS.5204 SERIES SURFACE MOUNTED OVERHEAD DOOR CLOSERS

1. This certification is provided to the client for their own purposes, and we cannot opine on whether it will be accepted by Building Control authorities or any other third parties for any purpose.
2. This approval relates to the following overhead mounted rack and pinion door closing devices and configurations:

	TABLE 1						
	Link-arms			Slide arms			
	Projecting arm (Fig. 1) Body door mounted on pull face	Projecting arm (Fig. 61) Body transom mounted on push face	Parallel arm (Fig. 6) Body door mounted on push face	Body door mounted on pull face	Body transom mounted on push face	Body door mounted on push face	Body transom mounted on pull face
TS.3204	✓	✗	✓	✗	✗	✗	✗
TS.5204	✓	✗	✓	✗	✗	✗	✗

Key: ✓ - approved ✗ - Not approved

Note: Where alternative arms for non-fire applications are included within the packaging, the use of these components on fire resisting door assemblies will invalidate the certification.

3. This approval relates to their use with the following door assemblies: -
Code ITT - 20 minute to 120 minute door assemblies door assemblies incorporating intumescent perimeter seals and consisting of timber faced and edged leaves with timber or cellulosic cores, hung in timber or cellulosic frames.
4. The closers are approved on the basis of:
 - i) Initial type testing to BS EN 1154 and BS EN 1634-1
 - ii) An appraisal against TS34
 - iii) Certification of quality management system.
 - iv) Inspection and surveillance of factory production control
 - v) On-going audit testing in accordance with EN 1154 requirements
5. This approval is applicable only to the specified closers when mounted in the applications stated later under the classification codes section of this certificate and used with door assemblies of proven fire resistance (as defined in BS EN 1634-1:2014+A1:2018 or BS 476-22: 1987.) and having power ratings appropriate to the leaf sizes subject to a minimum size 3 (as specified in BS EN 1154).

Signed Page 2 of 6
J/150



Issued: 7th December 2021
Revised: 15th September 2023
Valid to: 6th December 2026



CERTIFICATE No CF 6018

RUTLAND UK

TS.3204 & TS.5204 SERIES SURFACE MOUNTED OVERHEAD DOOR CLOSERS

6. Where the closers are fitted to door leaves or frames that are manufactured from mineral-based materials, or low-density cellulosic-based material, the door assembly shall have previously been shown capable of accommodating the installation of closers at the head of the doorset, without detriment to the door assembly's performance.
7. The closers shall be fixed with screws supplied by the closer manufacturer. Bolt-through fixings shall not be used.
8. Timber based doorset shall be installed in accordance with BS 8214.
9. The approval relates to on-going production. The product and/or its immediate packaging are identified with the manufacturer's name, the product name or number, the CERTIFIRE name or name and mark, together with the CERTIFIRE certificate number and application where appropriate.

Signed Page 3 of 6
J/150

Issued: 7th December 2021
Revised: 15th September 2023
Valid to: 6th December 2026



CERTIFICATE No CF 6018 RUTLAND UK

TS.3204 & TS.5204 SERIES SURFACE MOUNTED OVERHEAD DOOR CLOSERS

7. The following table show acceptable doorset types and fire resistance periods:

TABLE 2				
	Approved Door Type			
Class	IMM	MM	ITT	ITM
FD20	x	x	✓	x
FD30	x	x	✓	x
FD60	x	x	✓	x
FD90	x	x	✓	x
FD120	x	x	✓	x
FD240	x	x	x	x
E 20	x	x	✓	x
EI 20	x	x	✓	x
E 30	x	x	✓	x
EI 30	x	x	✓	x
E 60	x	x	✓	x
EI 60	x	x	✓	x
E 90	x	x	✓	x
EI 90	x	x	✓	x
E 120	x	x	✓	x
EI 120	x	x	✓	x
E 240	x	x	x	x
EI 240	x	x	x	x

Key:

✓ - approved

x - Not approved

Signed Page 4 of 6
J/150

Issued: 7th December 2021
Revised: 15th September 2023
Valid to: 6th December 2026

CERTIFICATE No CF 6018 RUTLAND UK

TS.3204 & TS.5204 SERIES SURFACE MOUNTED OVERHEAD DOOR CLOSERS

8. Doors are classified as the following types:

Code ITT - 20 minute to 120 minute door assemblies door assemblies incorporating intumescent perimeter seals and consisting of timber faced and edged leaves with timber or cellulosic cores, hung in timber or cellulosic frames.

Code ITM - 20 minute to 120 minute door assemblies door assemblies incorporating intumescent perimeter seals and consisting of timber faced and edged leaves with timber or cellulosic cores, hung in steel frames.

Code MM - 20 to 240 minute doorsets consisting of uninsulated or insulated predominantly steel leaves, hung in steel frames without intumescent seals.

Code IMM - 20 to 240 minute doorsets consisting of uninsulated or insulated predominantly steel leaves, hung in steel frames with intumescent seals.

Classification codes:

TS.3204 Projecting arm (Fig. 1):

4	8	4 3	1	1	3
---	---	--------	---	---	---

TS.3204 Parallel arm (Fig. 6):

3	8	3	1	1	3
---	---	---	---	---	---

TS.5204 Projecting arm (Figure 1) to EN1154:

4	8	4 2	1	1	3
---	---	--------	---	---	---

TS.5204 Parallel arm (Figure 6) to EN1154:

3	8	4 3	1	1	3
---	---	--------	---	---	---

Note: power ratings shall be appropriate to the leaf sizes subject to a minimum size 3 (as specified in BS EN 1154).

Signed Page 5 of 6
J/150



Issued: 7th December 2021
Revised: 15th September 2023
Valid to: 6th December 2026



CERTIFICATE No CF 6018 RUTLAND UK

TS.3204 & TS.5204 SERIES SURFACE MOUNTED OVERHEAD DOOR CLOSERS

Scope of Approval:

- Doors may not include uninsulated glass above 20% of their total area. Uninsulated glass shall not be included directly beneath the door closer body.
- The closers may not be fitted to timber doorsets without perimeter intumescent fire seals to the frame rebate or door edge.
- Mechanical Hold open option is not approved.
- The following functions are supported by this certification:

TABLE 3				
Closer Ref.	Application	Latch Control	Backcheck	Delayed-Action
TS.3204	Projecting arm (Fig. 1) & Parallel arm (Fig. 6)	✓	X	X
TS.5204	Projecting arm (Figure 1)	✓	✓	X
TS.5204	Parallel arm (Figure 6)	✓	X	X

Further Information

Further information regarding the details contained in this certificate may be obtained from Rutland UK (Tel: 01246 261491).

Further information regarding CERTIFIRE certification and other approved products can be obtained from CERTIFIRE (Tel: 01925 646777).

Signed Page 6 of 6
J/150

Issued: 7th December 2021
Revised: 15th September 2023
Valid to: 6th December 2026

CERTIFICAT DE CONSTANCE DES PERFORMANCES
CERTIFICATE OF CONSTANCY OF PERFORMANCE

N° 1812-CPR-1808

Conformément au Règlement 305/2011/EU du Parlement européen et du Conseil du 9 mars 2011 (Règlement Produits de Construction – RPC), il a été établi que le produit de construction :
In compliance with Regulation 305/2011/EU of the European Parliament and of the Council of 9 March 2011 (the Construction Products Regulation or CPR), it was established that the construction product:

Produit
Product

Dispositif de fermeture de porte avec amortissement
Controlled door closing device

Référence du produit
Reference of the product

Rutland TS.5204 Overhead Door Closer

mis sur le marché par ou pour
placed on the market by or for

Rutland UK
Whittington Way,
Chesterfield, S41 9AG
Royaume Uni / United Kingdom

et produit dans l'usine de fabrication de
and produced in the manufacturing plant located in

E/010

est soumis par le fabricant à un contrôle de production en usine, et que EFFECTIS France, organisme de certification notifié, a réalisé les essais/calculs de type initiaux relatifs aux caractéristiques concernées du produit, l'inspection initiale de l'usine et du contrôle de la production en usine, et réalise la surveillance continue, l'évaluation et l'acceptation du contrôle de la production en usine.

is submitted by the manufacturer to a factory production control, and that the notified certification body EFFECTIS France, has performed the initial type-testing for the relevant characteristics of the product, the initial inspection of the factory and of the factory production control and performs the continuous surveillance, assessment and approval of factory production control.

Ce certificat atteste que toutes les dispositions concernant l'évaluation et la vérification de la constance des performances et les performances décrites dans l'annexe ZA de la norme de référence **EN 1154 : 1996 +A1 : 2002** pour le système 1 sont appliquées, et que le ou les produits satisfont toutes les exigences prescrites.

*This certificate attests that all provisions concerning the assessment and verification of constancy of performance and the performance, described in Annex ZA of the standard **EN 1154 : 1996 +A1 : 2002** under system 1 are applied, and that the product(s) fulfill(s) all the prescribed requirements set out above.*

Ce certificat, délivré pour la première fois le **8 décembre 2020**, demeure valide tant que les exigences relatives aux méthodes d'essai et au contrôle de production en usine incluses dans la norme harmonisée et utilisées pour évaluer les caractéristiques déclarées restent inchangées, et que le produit et les conditions de fabrication dans l'usine ne sont pas modifiés de manière significative.

*This certificate, first issued on **December 8th, 2020** remains valid as long as the test methods and/or factory production control requirements included in the harmonised standard, used to assess the performance of the declared characteristics, do not change, and the product and the manufacturing conditions in the plant are not modified significantly.*

Ce certificat permet au fabricant, ses mandataires ou ses distributeurs, établis dans l'Espace Economique Européen, d'apposer le marquage CE.

This certificate allows the manufacturer, its mandatories or its distributors, stated in the European Economic Area, to affix the CE marking.

Certificat établi à Saint-Aubin le / *Certificate established at Saint-Aubin on* : **24/07/2023**.

Par délégation du Directeur technique Certification / *By delegation of the technical Certification director.*


Yannick LE TALLEC
Directrice Certification / *Certification director*



Organisme notifié
Notified body
n° 1812

ANNEXE AU CERTIFICAT DE CONSTANCE DES PERFORMANCES N° 1812-CPR-1808
A LA NORME EN 1154 : 1996 +A1 : 2002
ANNEX TO THE CERTIFICATE OF CONSTANCY OF PERFORMANCE
TO THE STANDARD EN 1154 : 1996 +A1 : 2002

Produit / Product **Dispositif de fermeture de porte avec amortissement**
Controlled door closing device

Référence du produit / Reference of the product **Rutland TS.5204 Overhead Door Closer**

Certificat délivré à / Certificate delivered to **Rutland UK**
Whittington Way,
Chesterfield, S41 9AG
Royaume Uni / United kingdom

Description du champ couvert par le certificat / Description of the field covered by the certificate:

Ferme porte avec amortissement - dispositif de fermeture de porte contrôlé à action unique à force ajustable
Overhead door closer - Adjustable strength single action controlled door closing device

Installation du produit / Product installation	Classification EN 1154 / Classification EN 1154					
Position standard / Standard position	4	8	2 - 4	1	1	3

Ferme porte avec amortissement - dispositif de fermeture de porte contrôlé à action unique à force ajustable
Overhead door closer - Adjustable strength single action controlled door closing device

Installation du produit / Product installation	Classification EN 1154 / Classification EN 1154					
Position bras parallèle / Parallel arm position	3	8	3 - 4	1	1	3

Certificat établi à Saint-Aubin le / Certificate established at Saint-Aubin on : **24/07/2023.**

Par délégation du Directeur technique Certification / By delegation of the technical Certification director,


Yannick LE TALLEC
Directrice Certification / Certification director

DECLARATION OF PERFORMANCE



DoP-TS.5204-66-CE



(TS.5204 Fig 66)

- Unique identification code of the product / type:-
TS.5204 Variable Power 2-4 Surface Mounted Door Closer with Fig 66 Parallel Arm Fixing Position, with adjustable latch action, 120 degree maximum opening angle.
- **Re-order Code allowing identification of the construction product as required under Article 11(4) of CPR:**
11501, 11826, 11272, 11273, 11274, 12526, 11253, 11822, 11406, 11409, 11410, 11407, 11408, 12525, 11867, 11415
- Intended use:- For use on fire/smoke compartmentation doors, when fitted in accordance with the supplied fitting instructions and maintained to the manufacturers O&M Manual.
- Manufacturer:- Rutland Door Controls Europe Limited, Unit 5B, Fingal Bay Business Park, Balbriggan, Dublin, Ireland
- System/s assessment and verification of constancy of performance (AVCP):- System 1
- Harmonised Standard:- EN 1154:1997 + A1:2002
- Notified Body:- Efectis EU notified body no. 1812
- Certification No.:- 1812-CPR-1808
- Declared Performance:-

Conditioning: Parallel Arm Fixing Position (Fig 66) power size 2 - 4, with adjustable latch action.

Essential Characteristics	Performance	Harmonised Technical Specification
<i>Self-closing (5.2.1 General)</i>		
5.2.2 Durability	500,000 test cycles	EN 1154:1996 + A1:2002
5.2.3 Closing moment	Power size 2 - 4	
5.2.4 Opening moment	Power size 2 - 4	
5.2.5 Efficiency	Pass	
5.2.6 Closing time	Pass	
5.2.7 Angles of operation	Grade 3 for closing doors from 105 degrees	
5.2.8 Overload performance	Pass	
5.2.9 Temperature dependence	-15°C to +40°C	
5.2.10 Fluid leakage	Pass	
5.2.11 Damage	Pass	
5.2.12 Latch control	Pass	
5.2.13 Back check	Pass	
5.2.15 Adjustable closing force	Pass	

DECLARATION OF PERFORMANCE



<i>Durability of Self Closing</i>		EN 1154:1996 + A1:2002
5.2.2 Durability	500,000 test cycles – Grade 8	
5.2.17 Corrosion resistance	High corrosion resistance - Grade 3 (96 hours)	
Dangerous Substances	Pass: the materials in the door closer do not contain or release any dangerous substances in excess of the maximum levels specified in existing European material standards or any national regulations (1)	

The performance of the product identified above is in conformity with the set of declared performance/s.

This declaration of performance is issued, in accordance with Regulation (EU) No 305/2011, under the sole responsibility of the manufacturer identified above.

Signed for and on behalf of the manufacturer by:

A handwritten signature in black ink, appearing to read 'Kevin O'Reilly', written over a horizontal line.

Kevin O'Reilly
Technical Director

Dated 18-04-2024

DECLARATION OF PERFORMANCE



DoP-TS.5204-1-CE



(TS.5204 Fig 1)

- Unique identification code of the product / type:-
TS.5204 Variable Power 2-4 Surface Mounted Door Closer with Fig 1 Standard Fixing Position, with optional back check and adjustable latch action, 180 degree maximum opening angle.
- **Re-order Code allowing identification of the construction product as required under Article 11(4) of CPR:**
11501, 11826, 11272, 11273, 11274, 12526, 11253, 11822, 11406, 11409, 11410, 11407, 11408, 12525, 11867, 11415
- Intended use:- For use on fire/smoke compartmentation doors, when fitted in accordance with the supplied fitting instructions and maintained to the manufacturers O&M Manual.
- Manufacturer:- Rutland Door Controls Europe Limited, Unit 5B, Fingal Bay Business Park, Balbriggan, Dublin, Ireland
- System/s assessment and verification of constancy of performance (AVCP):- System 1
- Harmonised Standard:- EN 1154:1996 + A1:2002
- Notified Body:- Efectis EU notified body no. 1812
- Certification No.:- 1812-CPR-1808
- Declared Performance:-

Conditioning: Standard Position (Fig 1) power size 2 - 4, with adjustable latch action.

Essential Characteristics	Performance	Harmonised Technical Specification
<i>Self-closing (5.2.1 General)</i>		EN 1154:1996 + A1:2002
5.2.2 Durability	500,000 test cycles	
5.2.3 Closing moment	Power size 2 - 4	
5.2.4 Opening moment	Power size 2 - 4	
5.2.5 Efficiency	Pass	
5.2.6 Closing time	Pass	
5.2.7 Angles of operation	Grade 4 for closing doors from 180 degrees	
5.2.8 Overload performance	Pass	
5.2.9 Temperature dependence	-15°C to +40°C	
5.2.10 Fluid leakage	Pass	
5.2.11 Damage	Pass	
5.2.12 Latch control	Pass	
5.2.13 Back check	Pass	
5.2.15 Adjustable closing force	Pass	

DECLARATION OF PERFORMANCE



<i>Durability of Self Closing</i>		EN 1154:1996 + A1:2002
5.2.2 Durability	500,000 test cycles – Grade 8	
5.2.17 Corrosion resistance	High corrosion resistance - Grade 3 (96 hours)	
Dangerous Substances	Pass: the materials in the door closer do not contain or release any dangerous substances in excess of the maximum levels specified in existing European material standards or any national regulations (1)	

The performance of the product identified above is in conformity with the set of declared performance/s.

This declaration of performance is issued, in accordance with Regulation (EU) No 305/2011, under the sole responsibility of the manufacturer identified above.

Signed for and on behalf of the manufacturer by:

A handwritten signature in black ink, appearing to read 'Kevin O'Reilly', written over a horizontal line.

Kevin O'Reilly
Technical Director

Dated 18-04-2024



CERTIFICATE OF CONSTANCY OF PERFORMANCE

1720-CPR-0181

In compliance with Statutory Instruments 2019 No.465 of the United Kingdom Houses of Parliament 5th March 2019 (The Construction Products (Amendment etc.) (EU Exit) Regulations 2019), this certificate applies to the construction product:

Rutland TS.5204 BC Overhead Door Closer –

an overhead surface mounted closer for use on single action, single or double leaf fire resisting and smoke control doors.

Particular conditions applicable: **Adjustable power size 2 to 4 in Standard and Transom fixing position with back-check. Adjustable power size 3 to 4 in Parallel Arm position with adjustable latch and back-check**

product classification Standard position - pull side	4	8	2 4	1	1	3
product classification Parallel position - push side	3	8	3 4	1	1	3

produced by:

Rutland UK

Whittington Way, Chesterfield, S41 9AG

and produced in the manufacturing plant(s)

Factory Code: B - O

This certificate attests that all provisions concerning the assessment and verification of constancy of performance and the performances described in Annex ZA of the standard(s)

BS EN 1154:1997 + A1:2002

Under system 1 are applied and that the product fulfils all the prescribed requirements set out above.

This certificate was first issued on 1st January 2021, revised on 18th July 2023, and will remain valid as long as neither the designated standard, the construction product, the AVCP methods nor the manufacturing conditions in the plant are not modified significantly unless suspended or withdrawn by the approved product certification body.



Princes Risborough, UK

Director of Certification

IFC Certification Ltd
UK Approved Body No. 1720

20 Park Street, Princes Risborough, Buckinghamshire, HP27 9AH, UK
Tel: +44(0) 1844 275500, Fax: +44(0) 1844 274002, E-mail: info@ifccertification.com
Registered No: 4777898 England
©IFC Certification Ltd 2021

DECLARATION OF PERFORMANCE



DoP-TS.5204-66-UKCA

(TS.5204 Fig 66)

- Unique identification code of the product / type:-
TS.5204 Variable Power 2-4 Surface Mounted Door Closer with Fig 66 Parallel Arm Fixing Position, with adjustable latch action, 120 degree maximum opening angle.
- **Re-order Code allowing identification of the construction product as required under Article 11(4) of CPR:**
- 11501, 11826, 11272, 11273, 11274, 12526, 11253, 11822, 11406, 11409, 11410, 11407, 11408, 12525, 11867, 11415
- Intended use:- For use on fire/smoke compartmentation doors, when fitted in accordance with the supplied fitting instructions and maintained to the manufacturers O&M Manual.
- Manufacturer:- Rutland UK, Unit 4, Holmewood Business Park, Chesterfield Road, Chesterfield, S42 5US, UK
- System or systems of assessment and verification of constancy of performance of the construction product as set out in CPR, Annex V :- System 1
- Harmonised Standard:- BS EN 1154:1997 + A1:2002
- Notified Body:- IFCC UK Conformity Assessment body No. 1720
- Certification No.:- 1720-CPR-0181
- Declared Performance:-

Conditioning: Parallel Arm Fixing Position (Fig 66) power size 2 - 4, with adjustable latch action.

Essential Characteristics	Performance	Harmonised Technical Specification
<i>Self-closing (5.2.1 General)</i>		BS EN 1154:1997 + A1:2002
5.2.2 Durability	500,000 test cycles	
5.2.3 Closing moment	Power size 2 - 4	
5.2.4 Opening moment	Power size 2 - 4	
5.2.5 Efficiency	Pass	
5.2.6 Closing time	Pass	
5.2.7 Angles of operation	Grade 3 for closing doors from 105 degrees	
5.2.8 Overload performance	Pass	
5.2.9 Temperature dependence	-15°C to +40°C	
5.2.10 Fluid leakage	Pass	
5.2.11 Damage	Pass	
5.2.12 Latch control	Pass	
5.2.13 Back check	Pass	
5.2.15 Adjustable closing force	Pass	

DECLARATION OF PERFORMANCE



<i>Durability of Self Closing</i>		BS EN 1154:1997 + A1:2002
5.2.2 Durability	500,000 test cycles – Grade 8	
5.2.17 Corrosion resistance	High corrosion resistance - Grade 3 (96 hours)	
Dangerous Substances	Pass: the materials in the door closer do not contain or release any dangerous substances in excess of the maximum levels specified in existing European material standards or any national regulations (1)	

The performance of the product identified above is in conformity with the set of declared performance/s.

This declaration of performance is issued, in accordance with the Construction Products (Amendment etc) (EU Exit) Regulations, 2019 No. 465 & 2020 No.1359.

Signed for and on behalf of the manufacturer by:

A handwritten signature in black ink, appearing to read 'Kevin O'Reilly', written over a horizontal line.

Kevin O'Reilly
Technical Director

Dated 18-04-2024

DECLARATION OF PERFORMANCE



DoP-TS.5204-1-UKCA

(TS.5204 Fig 1)

- Unique identification code of the product / type:-
TS.5204 Variable Power 2-4 Surface Mounted Door Closer with Fig 1 Standard Fixing Position, with optional back check and adjustable latch action, 180 degree maximum opening angle.
- **Re-order Code allowing identification of the construction product as required under Article 11(4) of CPR:**
11501, 11826, 11272, 11273, 11274, 12526, 11253, 11822, 11406, 11409, 11410, 11407, 11408, 12525, 11867, 11415
- Intended use:- For use on fire/smoke compartmentation doors, when fitted in accordance with the supplied fitting instructions and maintained to the manufacturers O&M Manual.
- Manufacturer:- Rutland UK, Unit 4, Holmewood Business Park, Chesterfield Road, Chesterfield, S42 5US, UK
- System or systems of assessment and verification of constancy of performance of the construction product as set out in CPR, Annex V :- System 1
- Harmonised Standard:- BS EN 1154:1997 + A1:2002
- Notified Body:- IFCC UK Conformity Assessment body No. 1720
- Certification No.:- 1720-CPR-0181
- Declared Performance:-

Conditioning: Standard Position (Fig 1) power size 2 - 4, with adjustable latch action.

Essential Characteristics	Performance	Harmonised Technical Specification
<i>Self-closing (5.2.1 General)</i>		BS EN 1154:1997 + A1:2002
5.2.2 Durability	500,000 test cycles	
5.2.3 Closing moment	Power size 2 - 4	
5.2.4 Opening moment	Power size 2 - 4	
5.2.5 Efficiency	Pass	
5.2.6 Closing time	Pass	
5.2.7 Angles of operation	Grade 4 for closing doors from 180 degrees	
5.2.8 Overload performance	Pass	
5.2.9 Temperature dependence	-15°C to +40°C	
5.2.10 Fluid leakage	Pass	
5.2.11 Damage	Pass	
5.2.12 Latch control	Pass	
5.2.13 Back check	Pass	
5.2.15 Adjustable closing force	Pass	

DECLARATION OF PERFORMANCE



<i>Durability of Self Closing</i>		BS EN 1154:1997 + A1:2002
5.2.2 Durability	500,000 test cycles – Grade 8	
5.2.17 Corrosion resistance	High corrosion resistance - Grade 3 (96 hours)	
Dangerous Substances	Pass: the materials in the door closer do not contain or release any dangerous substances in excess of the maximum levels specified in existing European material standards or any national regulations (1)	

The performance of the product identified above is in conformity with the set of declared performance/s.

This declaration of performance is issued, in accordance with the Construction Products (Amendment etc) (EU Exit) Regulations, 2019 No. 465 & 2020 No.1359.

Signed for and on behalf of the manufacturer by:

A handwritten signature in black ink, appearing to read 'Kevin O'Reilly', written over a horizontal line.

Kevin O'Reilly
Technical Director

Dated 18-04-2024

SECURED BY DESIGN LICENCE HOLDER

THIS IS TO CERTIFY THAT

Rutland Trading Co Limited

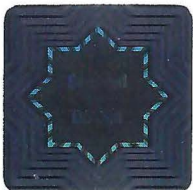
OF

Whittington Way, Chesterfield, Derbyshire, S41 9AG, United Kingdom

HOLDS A SECURED BY DESIGN LICENCE
VALID IN CONJUNCTION WITH THE CURRENT SCHEDULE UNTIL

14th February 2025

PLEASE REFER TO [HTTPS://WWW.SECUREDBYDESIGN.COM/MEMBER-COMPANIES/SBD-MEMBERS](https://www.securedbydesign.com/member-companies/sbd-members)
FOR THE CURRENT SCHEDULE INFORMATION



G. Ferguson

GUY FERGUSON
CEO, POLICE CRIME PREVENTION INITIATIVES LIMITED

DATE

15th February 2024

Secured by Design



Official Police Security Initiative



Parallel Arm Closer TS5204BCDA**

TEL: +44 (0) 1246 261 491 | www.rutlanduk.co.uk

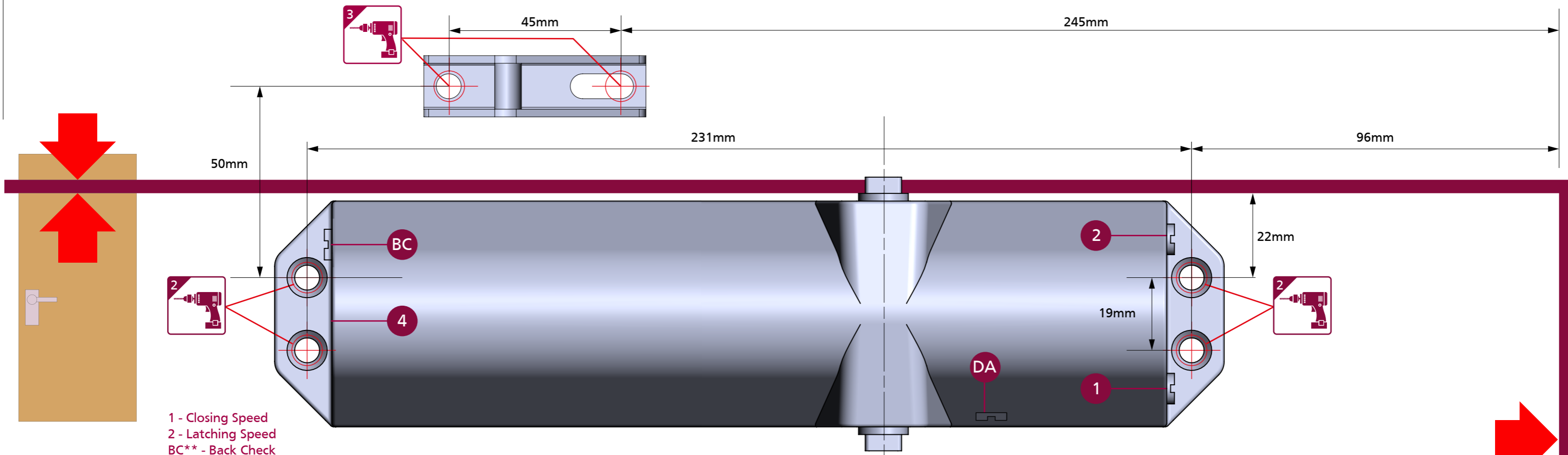


Operations and Maintenance Manual



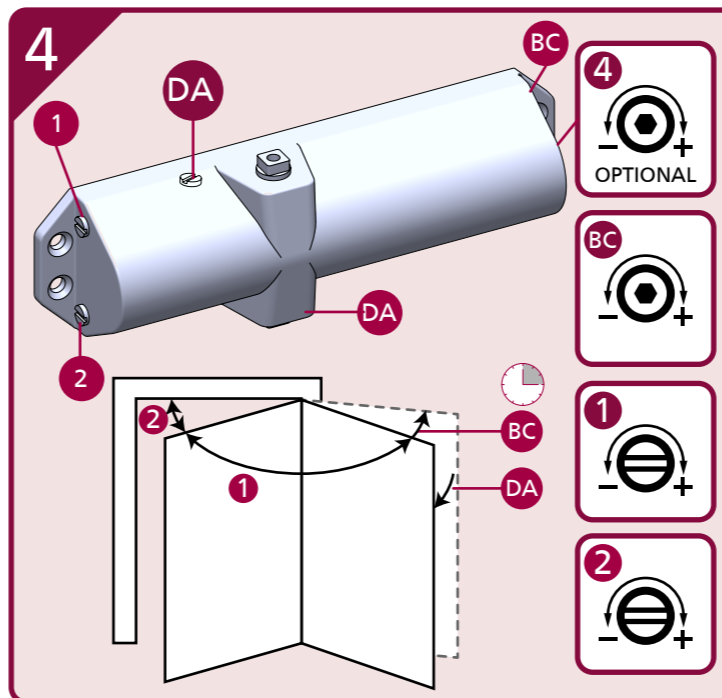
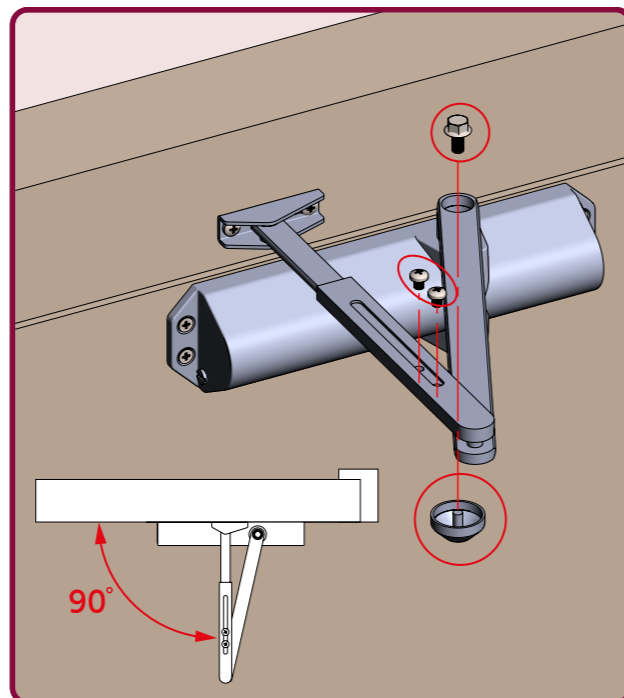
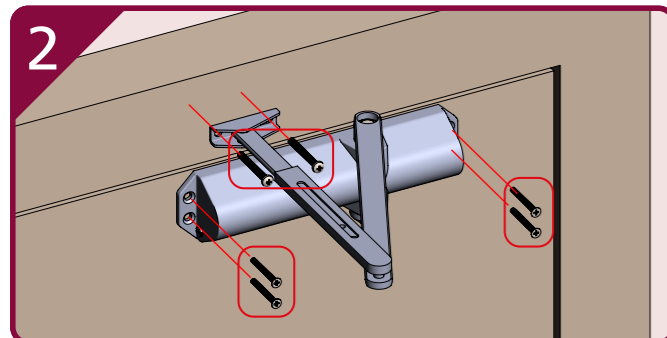
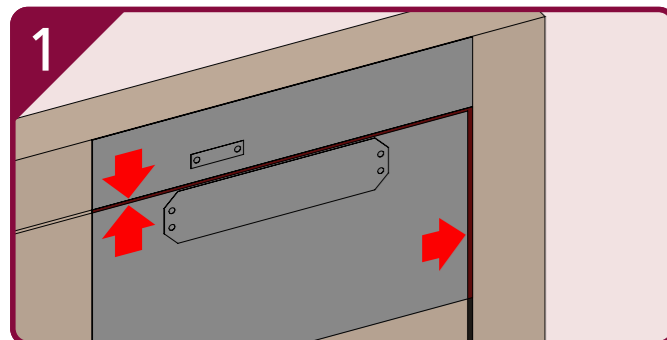
BS EN 1154

4 8 2/4 1 1 3



- 1 - Closing Speed
- 2 - Latching Speed
- BC** - Back Check
- DA** - Delay Action

** DA or BC valves Model dependent



EN 2-4 Power Size

No of turns	EN Size	Max door width	Open angle
-3	2	850mm	180°
*0	3	950mm	180°
+3	4	1100mm	180°

*FACTORY PRE-SET

IMPORTANT NOTES:
DELAYED ACTION & BACK CHECK (DABC) VALVES ARE NOT STANDARD, THESE ARE OPTIONAL.
FOR UNINSULATED STEEL DOORS IP.95M MUST BE USED.
THE PINION BOLT MUST BE TIGHTENED TO 12Nm.

A MECHANICAL DOOR CLOSER IS NOT DESIGNED TO OVERCOME POOR FITTING, EXCESSIVE AIR PRESSURES OR BINDING SMOKE AND WEATHER SEALS. EXCESSIVE AIR PRESSURES CAN BE CREATED BY THROUGH DRAFT, BY AIR CONDITIONING, BY SMALL ROOMS WITHOUT VENTILATION, OR WHERE NO AIR TRANSFER GRILLS ARE FITTED. MECHANICAL DOOR CLOSERS ARE DESIGNED TO CLOSE THE STATED AND TESTED SPECIFICATION OF DOOR WEIGHT AND DOORSETS/DOOR ASSEMBLIES WHEN DOORS ARE FITTED WITH CORRECT GAPS AND NOT BINDING ON SEALS. IF YOU ENCOUNTER PROBLEMS WITH DOORS NOT CLOSING PLEASE WATCH OUR "6 WAYS TO TROUBLESHOOT A DOOR CLOSER" VIDEO ONLINE. WHERE DOORS ARE NOT CLOSING DUE TO AIR PRESSURES THEN PROFESSIONAL ADVICE FROM AN AUTHORISED INSTALLER IS RECOMMENDED TO FIT TESTED AND THIRD PARTY CERTIFIED AIR TRANSFER GRILLS AND/OR AUTOMATIC DOOR OPERATORS.
NOTE: BC VALVES ARE DESIGNED TO ASSIST BACK-CHECK AND DO NOT REPLACE THE REQUIREMENT FOR CORRECTLY FITTED DOORSTOPS OR SAFETY BARRIERS.

FURTHER WARRANTY INFORMATION: <https://www.rutlanduk.co.uk/rutland-warranty>



Standard Arm Closer TS5204BCDA**

TEL: +44 (0) 1246 261 491 | www.rutlanduk.co.uk



Operations and Maintenance Manual



3rd Party Certification



180° Open Angle



Two-Stage Speed Regulation



1812



1720



25 YEARS WARRANTY



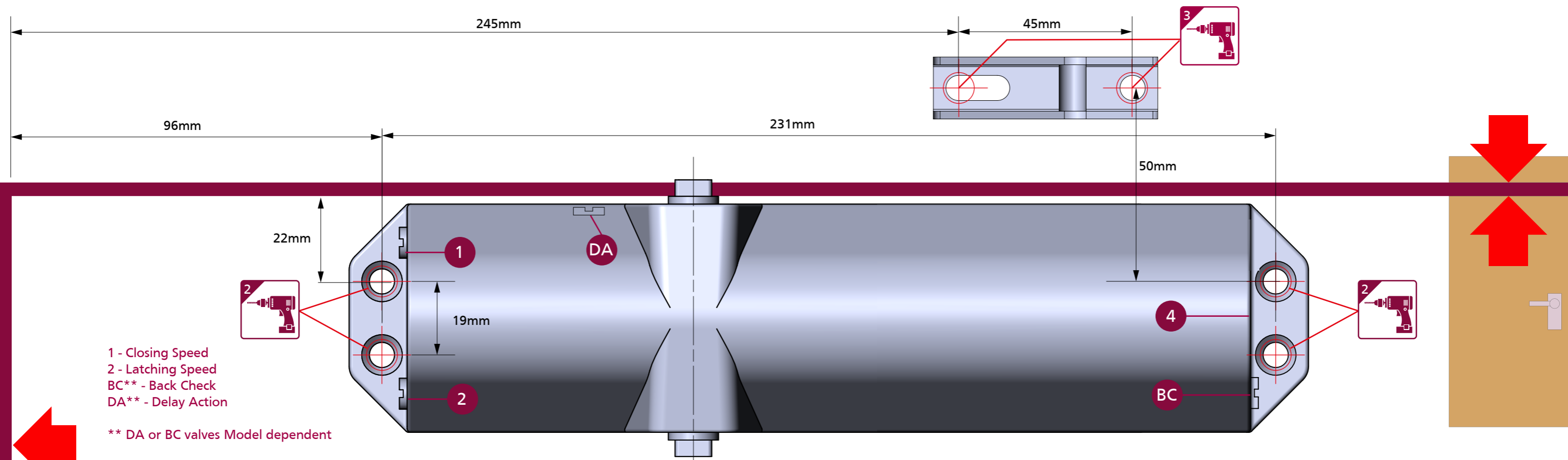
1100mm Max door width



80Kg Max door weight

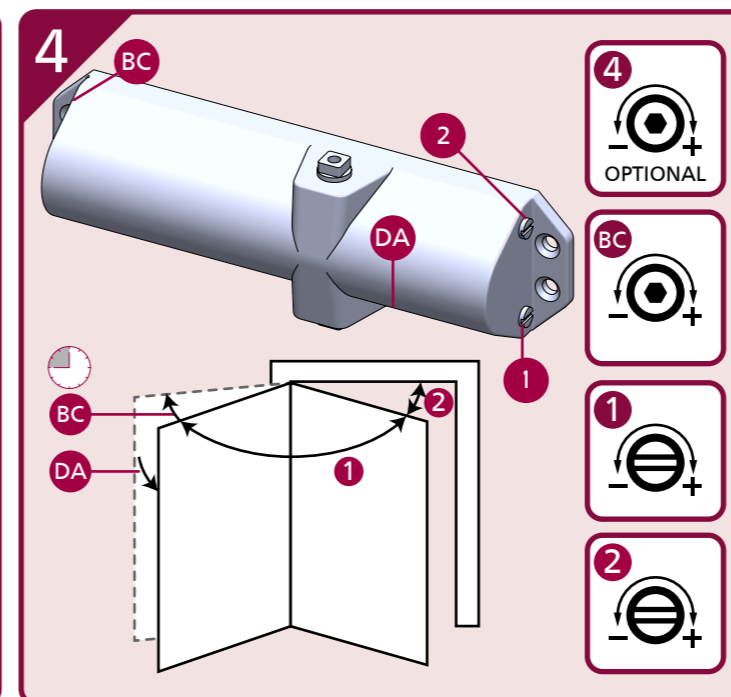
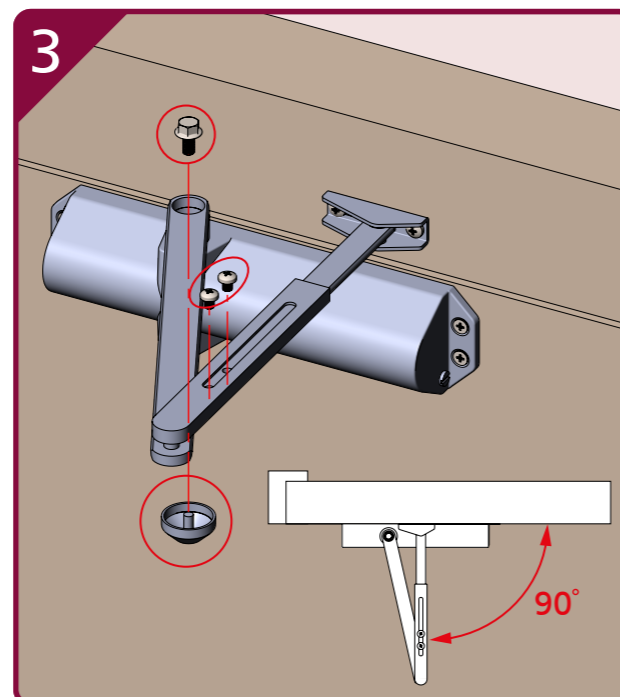
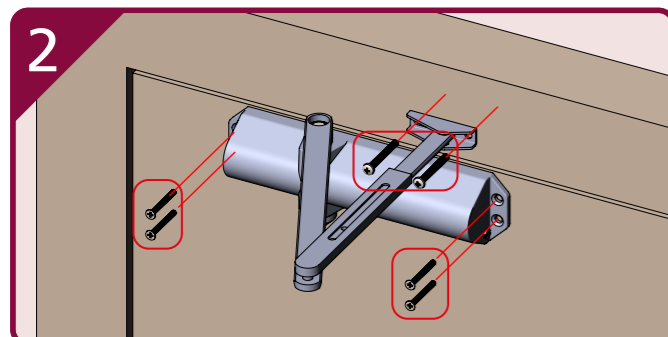
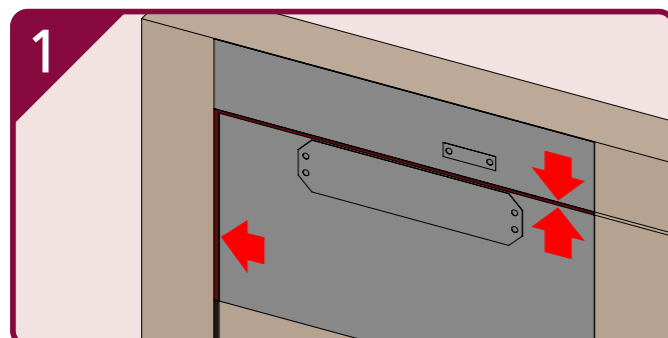
BS EN 1154

4 8 2 4 1 1 3



- 1 - Closing Speed
- 2 - Latching Speed
- BC** - Back Check
- DA** - Delay Action

** DA or BC valves Model dependent



EN 2-4 Power Size

No of turns	EN Size	Max door width	Open Angle
-3	2	850mm	180°
*0	3	950mm	180°
+3	4	1100mm	180°

*FACTORY PRE-SET

IMPORTANT NOTES:
 DELAYED ACTION & BACK CHECK (DABC) VALVES ARE NOT STANDARD, THESE ARE OPTIONAL.
 FOR UNINSULATED STEEL DOORS IP-95M MUST BE USED.
 THE PINION BOLT MUST BE TIGHTENED TO 12Nm.

A MECHANICAL DOOR CLOSER IS NOT DESIGNED TO OVERCOME POOR FITTING, EXCESSIVE AIR PRESSURES OR BINDING SMOKE AND WEATHER SEALS. EXCESSIVE AIR PRESSURES CAN BE CREATED BY THROUGH DRAFT, BY AIR CONDITIONING, BY SMALL ROOMS WITHOUT VENTILATION, OR WHERE NO AIR TRANSFERS GRILLS ARE FITTED. MECHANICAL DOOR CLOSERS ARE DESIGNED TO CLOSE THE STATED AND TESTED SPECIFICATION OF DOOR WEIGHT AND DOORSETS/DOOR ASSEMBLIES WHEN DOORS ARE FITTED WITH CORRECT GAPS AND NOT BINDING ON SEALS. IF YOU ENCOUNTER PROBLEMS WITH DOORS NOT CLOSING PLEASE WATCH OUR "6 WAYS TO TROUBLE-SHOOT A DOOR CLOSER" VIDEO ONLINE. WHERE DOORS ARE NOT CLOSING DUE TO AIR PRESSURES THEN PROFESSIONAL ADVICE FROM AN AUTHORISED INSTALLER IS RECOMMENDED TO FIT TESTED AND THIRD PARTY CERTIFIED AIR TRANSFER GRILLS AND/OR AUTOMATIC DOOR OPERATORS.
 NOTE: BC VALVES ARE DESIGNED TO ASSIST BACK-CHECK AND DO NOT REPLACE THE REQUIREMENT FOR CORRECTLY FITTED DOORSTOPS OR SAFETY BARRIERS.

FURTHER WARRANTY INFORMATION: <https://www.rutlanduk.co.uk/rutland-warranty>



Parallel Arm Closer TS5204BCDA**

TEL: +44 (0) 1246 261 491 | www.rutlanduk.co.uk



3rd Party Certification

180° Open Angle

Two-Stage Speed Regulation

CE 1812

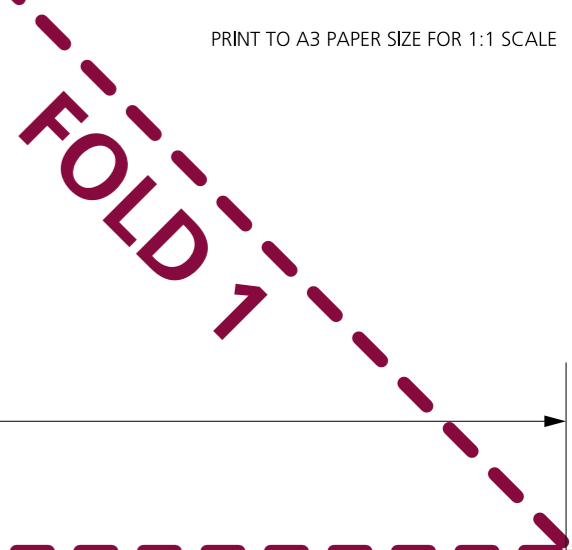
UK CA 1720

25 YEARS WARRANTY

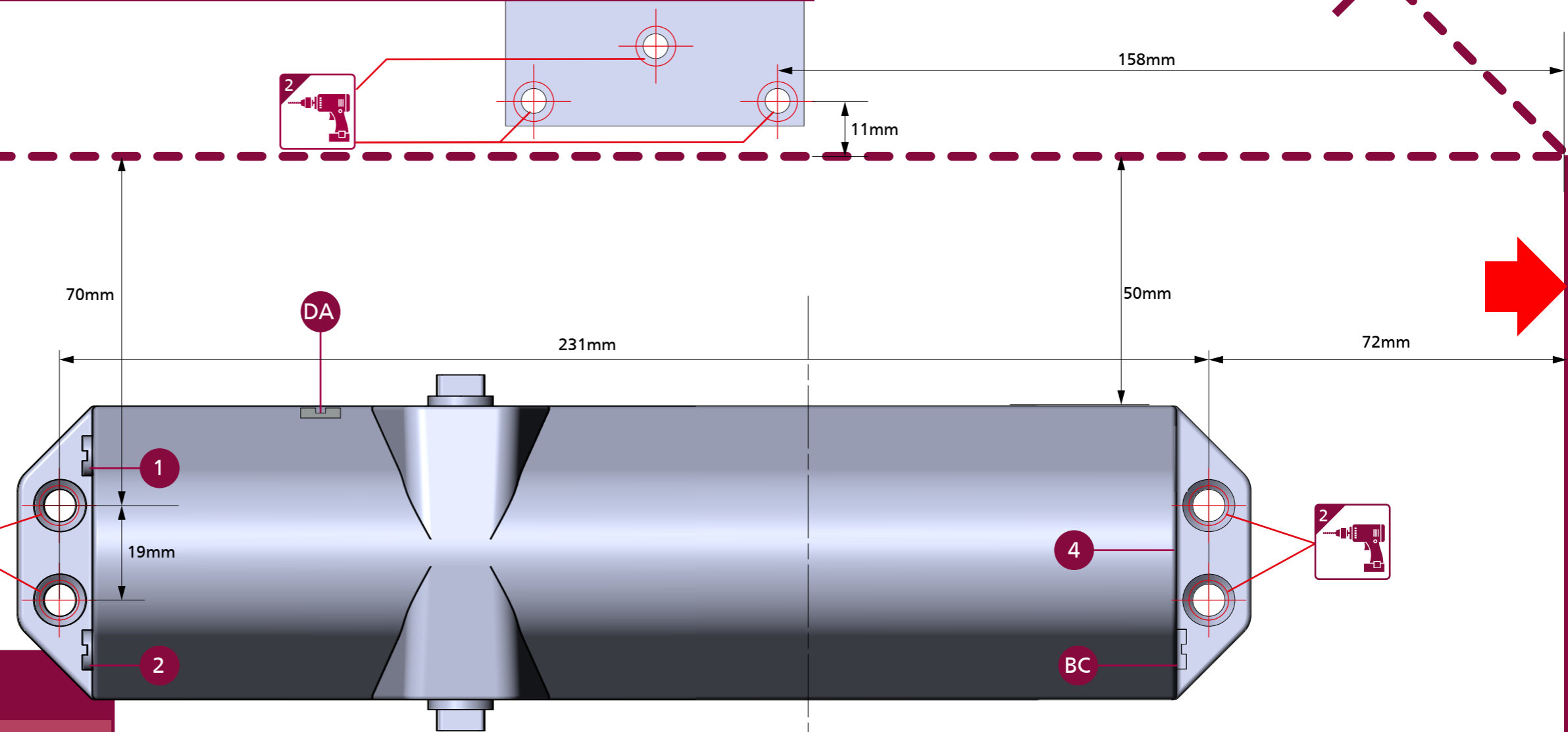
1100mm Max door width

80Kg Max door weight

BS EN 1154
4 8 2/4 1 1 3



FOLD 2



- 1 - Closing Speed
- 2 - Latching Speed
- BC** - Back Check
- DA** - Delayed Action

*DA or BC valves Model dependent

EN 2-4 Power Size

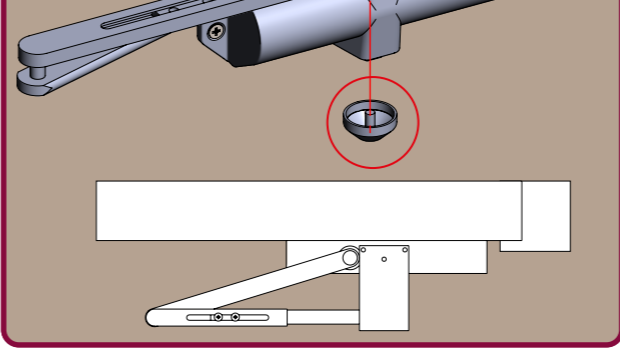
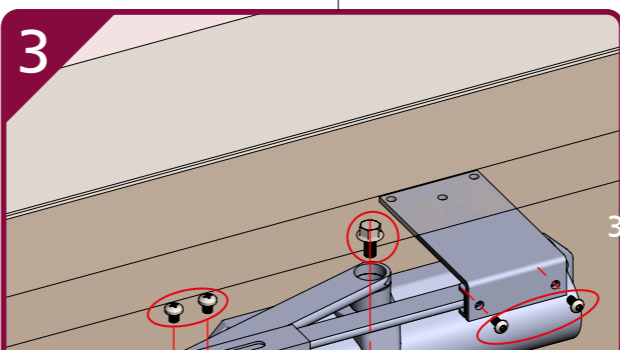
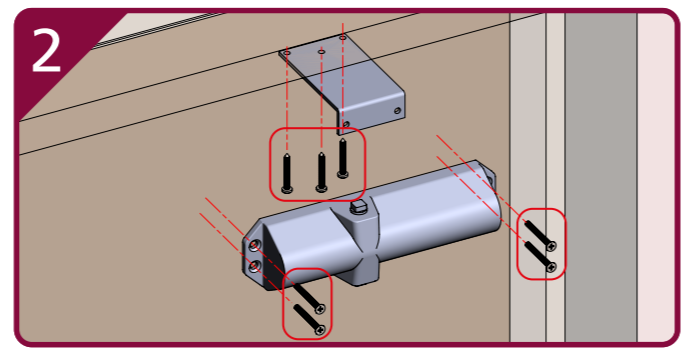
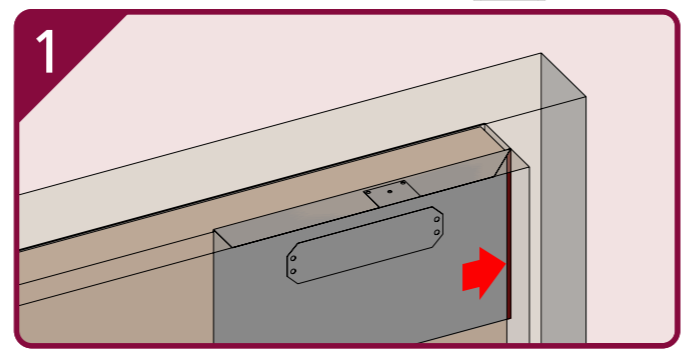
No of turns	EN Size	Max door width	Open Angle
-3	2	850mm	180°
*0	3	950mm	180°
+3	4	1100mm	180°

*FACTORY PRE-SET

IMPORTANT NOTES:
 DELAYED ACTION & BACK CHECK (DABC) VALVES ARE NOT STANDARD, THESE ARE OPTIONAL.
 FOR UNINSULATED STEEL DOORS IP.95M MUST BE USED.
 THE PINION BOLT MUST BE TIGHTENED TO 12Nm.

A MECHANICAL DOOR CLOSER IS NOT DESIGNED TO OVERCOME POOR FITTING, EXCESSIVE AIR PRESSURES OR BINDING SMOKE AND WEATHER SEALS. EXCESSIVE AIR PRESSURES CAN BE CREATED BY THROUGH DRAFT, BY AIR CONDITIONING, BY SMALL ROOMS WITHOUT VENTILATION, OR WHERE NO AIR TRANSFERS GRILLS ARE FITTED. MECHANICAL DOOR CLOSERS ARE DESIGNED TO CLOSE THE STATED AND TESTED SPECIFICATION OF DOOR WEIGHT AND DOORSETS/DOOR ASSEMBLIES WHEN DOORS ARE FITTED WITH CORRECT GAPS AND NOT BINDING ON SEALS. IF YOU ENCOUNTER PROBLEMS WITH DOORS NOT CLOSING PLEASE WATCH OUR "6 WAYS TO TROUBLE-SHOOT A DOOR CLOSER" VIDEO ONLINE. WHERE DOORS ARE NOT CLOSING DUE TO AIR PRESSURES THEN PROFESSIONAL ADVICE FROM AN AUTHORISED INSTALLER IS RECOMMENDED TO FIT TESTED AND THIRD PARTY CERTIFIED AIR TRANSFER GRILLS AND/OR AUTOMATIC DOOR OPERATORS.
 NOTE: BC VALVES ARE DESIGNED TO ASSIST BACK-CHECK AND DO NOT REPLACE THE REQUIREMENT FOR CORRECTLY FITTED DOORSTOPS OR SAFETY BARRIERS.

FURTHER WARRANTY INFORMATION: <https://www.rutlanduk.co.uk/rutland-warranty>



FOLD 1



Parallel Arm Closer TS5204BCDA**

TEL: +44 (0) 1246 261 491 | www.rutlanduk.co.uk



Operations and Maintenance Manual



3rd Party Certification



180° Open Angle



Two-Stage Speed Regulation



1812



1720



25 YEARS WARRANTY



1100mm Max door width

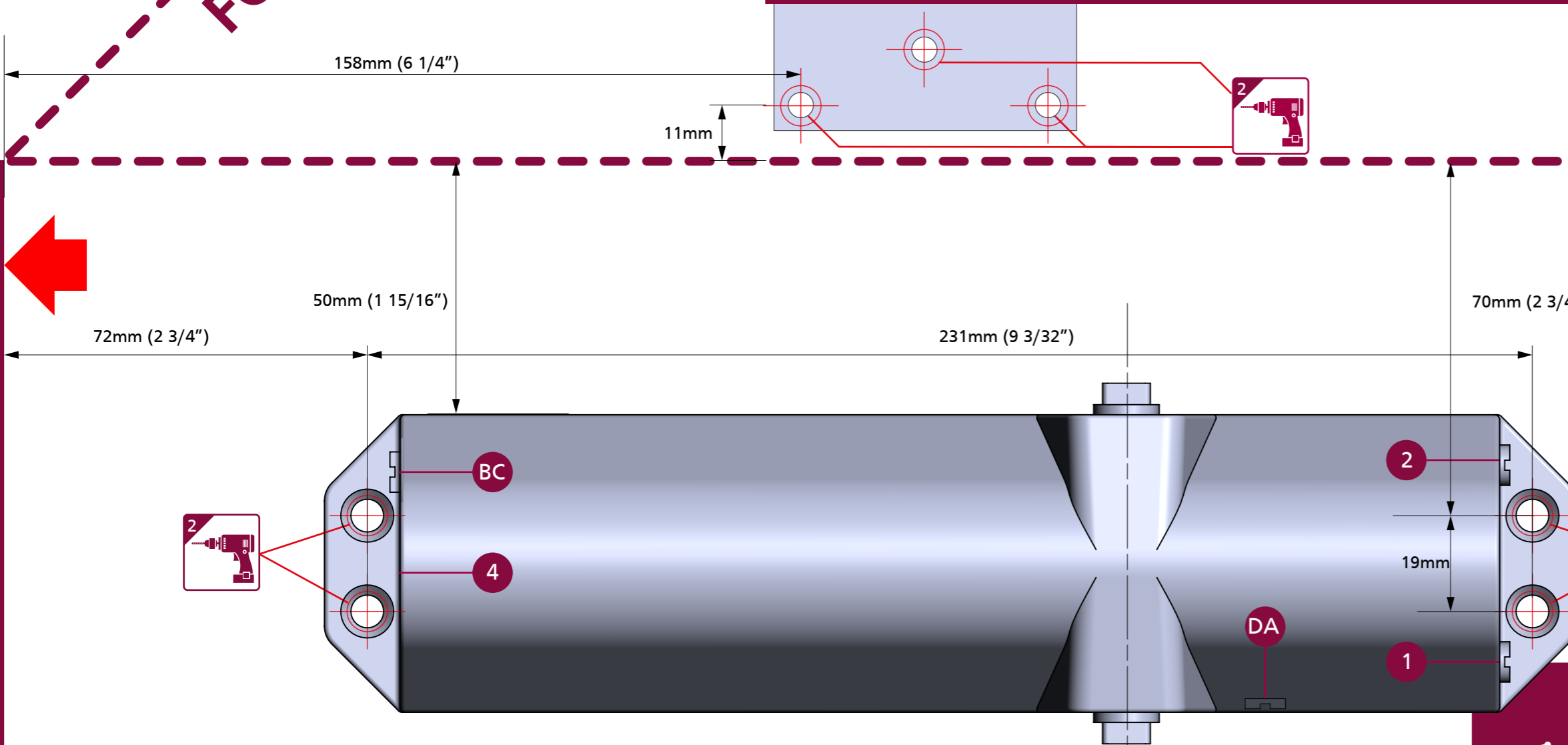


80Kg Max door weight

BS EN 1154

4 8 2/4 1 1 3

FOLD 2



- 1 - Closing Speed
- 2 - Latching Speed
- BC** - Back Check
- DA** - Delayed Action

*DA or BC valves Model dependent

EN 2-4 Power Size

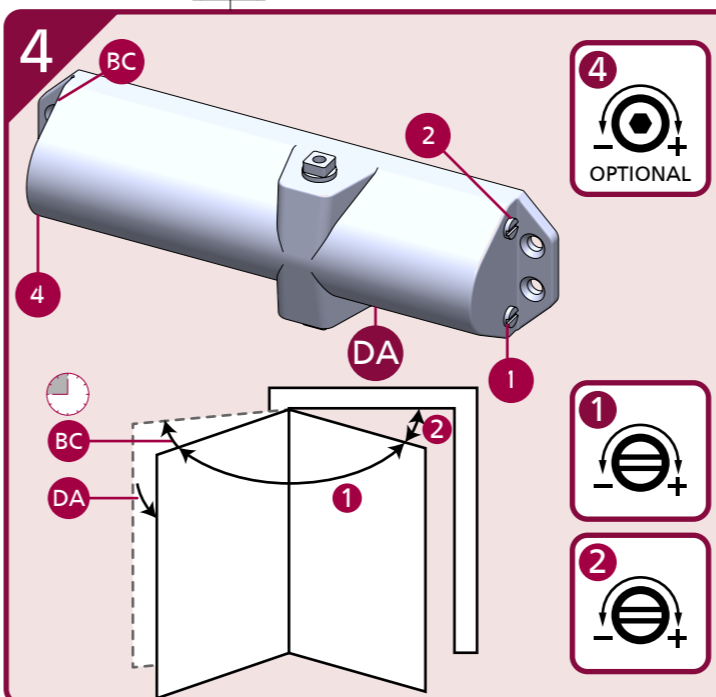
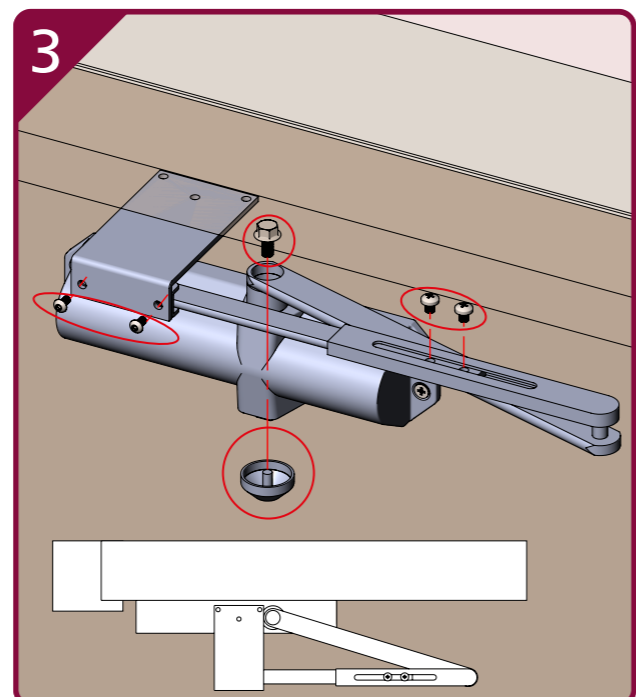
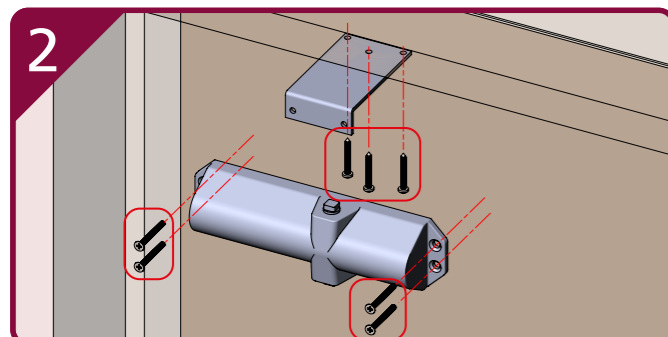
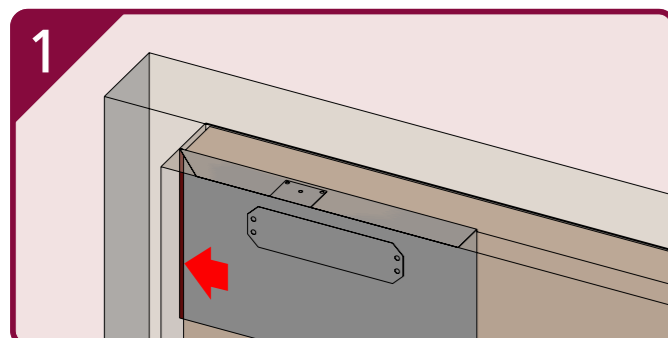
No of turns	EN Size	Max door width	Open Angle
-3	2	850mm	180°
*0	3	950mm	180°
+3	4	1100mm	180°

*FACTORY PRE-SET

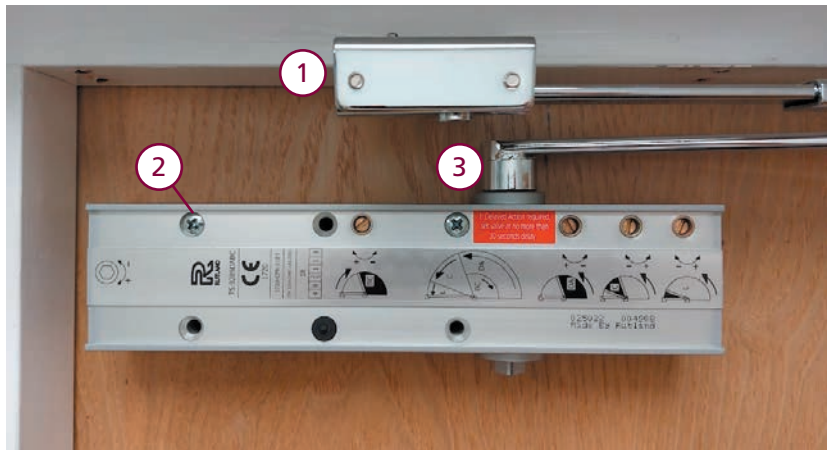
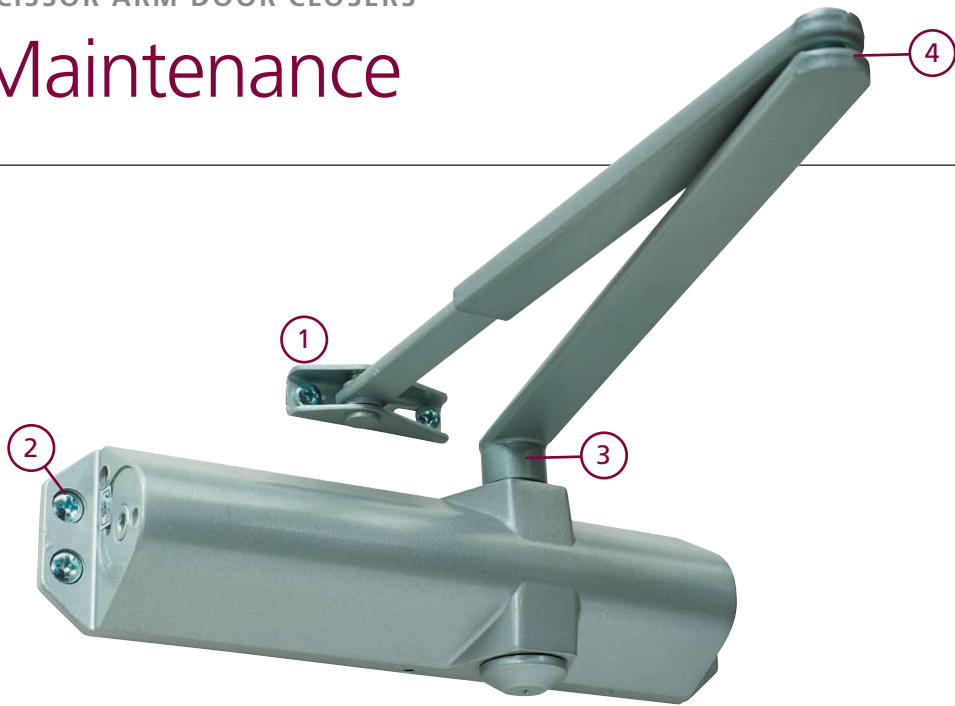
IMPORTANT NOTES:
DELAYED ACTION & BACK CHECK (DABC) VALVES ARE NOT STANDARD, THESE ARE OPTIONAL.
FOR UNINSULATED STEEL DOORS IP.95M MUST BE USED.
THE PINION BOLT MUST BE TIGHTENED TO 12Nm.

A MECHANICAL DOOR CLOSER IS NOT DESIGNED TO OVERCOME POOR FITTING, EXCESSIVE AIR PRESSURES OR BINDING SMOKE AND WEATHER SEALS. EXCESSIVE AIR PRESSURES CAN BE CREATED BY THROUGH DRAFT, BY AIR CONDITIONING, BY SMALL ROOMS WITHOUT VENTILATION, OR WHERE NO AIR TRANSFERS GRILLS ARE FITTED. MECHANICAL DOOR CLOSERS ARE DESIGNED TO CLOSE THE STATED AND TESTED SPECIFICATION OF DOOR WEIGHT AND DOORSETS/DOOR ASSEMBLIES WHEN DOORS ARE FITTED WITH CORRECT GAPS AND NOT BINDING ON SEALS. IF YOU ENCOUNTER PROBLEMS WITH DOORS NOT CLOSING PLEASE WATCH OUR "6 WAYS TO TROUBLE-SHOOT A DOOR CLOSER" VIDEO ONLINE. WHERE DOORS ARE NOT CLOSING DUE TO AIR PRESSURES THEN PROFESSIONAL ADVICE FROM AN AUTHORISED INSTALLER IS RECOMMENDED TO FIT TESTED AND THIRD PARTY CERTIFIED AIR TRANSFER GRILLS AND/OR AUTOMATIC DOOR OPERATORS.
NOTE: BC VALVES ARE DESIGNED TO ASSIST BACK-CHECK AND DO NOT REPLACE THE REQUIREMENT FOR CORRECTLY FITTED DOORSTOPS OR SAFETY BARRIERS.

FURTHER WARRANTY INFORMATION: <https://www.rutlanduk.co.uk/rutland-warranty>



Maintenance



Step 1

Check that screws are tight (No.1 & No.2), and tighten if needed, at least every 6 months.

Step 2

Tighten pinion bolt (No. 3) to 12nm, at least every 6 months

Step 3

Lubricate all moving parts, e.g. the Knuckle (No.4), at least every 6 months.

*For high usage closers, this steps will need to be carried out more often than every 6 months.

Any unusual sounds or visual defects should be addressed immediately



Before adjusting any valves ensure the door and frame are fixed firmly and the door will close easily into the frame and latch.

- To increase the speed of a door turn the valve 1 (No.5) Anti-clockwise. If door closing too fast turn the valve 1 Clockwise to reduce the speed to a satisfactory movement.
- When the door is latching too fast adjust the valve 2 (No. 6) to the desired satisfactory action. Turn Clockwise to reduce the speed.
- If the latch is getting stuck, turn Valve 2 anti-clockwise to increase the speed but not too fast so that it slams.
- If more power is needed to overcome the latch or Intumescent seal you can increase the power by turning the power adjustment function (No. 7) with an allen key.
- If the door is too easy to open or affected by wind or air pressure, turn Clockwise to increase the power.
- If the door is stiff to open you can turn Anti-clockwise to decrease the power.

Back Check + Delayed Action on Scissor Arm closers

- If the closer has a back check valve (No. 8), this can be used to slow down the opening speed of the door. Turn the valve clockwise with a screwdriver to increase the Back Check facility.
- If the closer has a delayed action valve (No. 9), this can be used to delay the closing speed of the door. Turn the valve clockwise if more time is required or turn the valve anti-clockwise if less time is required.

IMPORTANT – Back Check and Delayed Action are not designed to work at the same time as each other, this means choosing the function most relevant to the situation



Before adjusting any valves ensure the door and frame are fixed firmly and the door will close easily into the frame and latch.

- To increase the speed of a door turn the valve 1 (No.5) Anti-clockwise. If door closing too fast turn the valve 1 Clockwise to reduce the speed to a satisfactory movement.
- When the door is latching too fast adjust the valve 2 (No. 6) to the desired satisfactory action. Turn Clockwise to reduce the speed.
- If the latch is getting stuck, turn Valve 2 anti-clockwise to increase the speed but not too fast so that it slams.
- If more power is needed to overcome the latch or Intumescent seal you can increase the power by turning the power adjustment function (No. 7) with an allen key.
- If the door is too easy to open or affected by wind or air pressure, turn Clockwise to increase the power.
- If the door is stiff to open you can turn Anti-clockwise to decrease the power.

Back Check + Delayed Action on Scissor Arm closers

- If the closer has a back check valve (No. 8), this can be used to slow down the opening speed of the door. Turn the valve clockwise with a screwdriver to increase the Back Check facility.
- If the closer has a delayed action valve (No. 9), this can be used to delay the closing speed of the door. Turn the valve clockwise if more time is required or turn the valve anti-clockwise if less time is required.

IMPORTANT – Back Check and Delayed Action are not designed to work at the same time as each other, this means choosing the function most relevant to the situation.



SCISSOR ARM DOOR CLOSERS

Back Check and Delayed Action

Rutland Back Check and Delayed Action door closers are the same as other closers, however with extra valves.

BC Valves

- BC valves are for the restraining of the door on the opening cycle, so it doesn't hit a wall or furniture behind the door.

DA Valves

- DA door closers are for giving the elderly, the infirm or children a little extra time when walking through the door way. Both valves can be altered to a greater or lesser degree as required.

Useful Videos

Scan the qr codes to view the latest helpful videos

Door closer valves



6 ways to trouble shoot a Door Closer



Enhancing life safety at every fire door

Through our expert advice and support, we provide the peace of mind that full compliance is achieved and that life safety is assured.



Head Office:

Rutland Trading Co Ltd.
Unit 4, Holmewood Business Park
Chesterfield Road, Holmewood
Chesterfield, S42 5US

Contact us:

+44 (0)1246 261491
sales@rutlanduk.co.uk
rutlanduk.co.uk