

PRODUCT FILE

ITS.11205

Pack includes:

- Specification/Data sheet
- Product codes
- UKCA cert
- UKCA Declaration of Performance (DoP)
- Fitting instructions
- Cushion stop fitting
- O&M Manual

CONCEALED SLIDE ARM DOOR CLOSERS

ITS.11205



CONCEALED SLIDE ARM DOOR CLOSERS

ITS.11205

Renowned for its high efficiency, the Rutland ITS.11205 cam action door closer has size 2-5 power adjustment and is suitable for use in doors 54mm thick. With its cam and roller mechanism, and ease of opening, this closer is suitable for assisting Document M and BS8300 requirements.



3rd Party Certification



Opening Angle 120°



Two-Stage Speed Regulation



Guarantee



Max Door Width 1250mm



Max Door Weight 180Kg

- Fully concealed when the door is closed
- Power Adjustable by spring, size 2-5
- Available in Silver, Satin Nickel, Polished Nickel, Polished Brass & Black for next day delivery



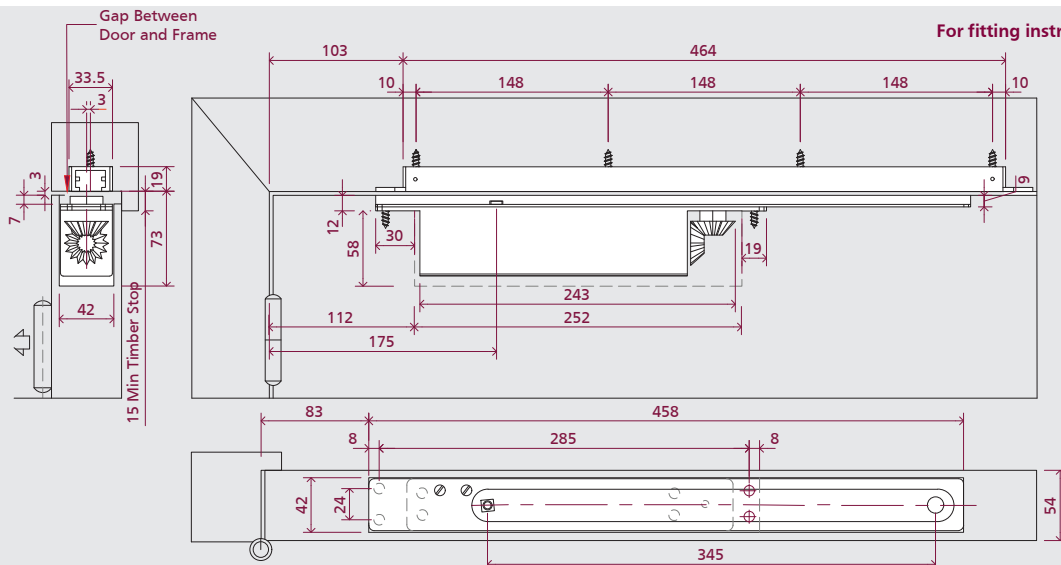
Intumescent kit (IP.115)

Finishes












See page 98 for more detail



Product Features	ITS.11205
Delayed Action	-
Back Check	-
Opening Angle	120°
Fig.1 Pull Side Door Width	595-1250mm
Fig.66 Push Side Door Width	595-1250mm
Fig.1 BS8300 Min Door Width	835mm
Max Door Weight	<180kg
Power Adjustment	By Spring
Hold Open (not for fire doors)	o
Dimensions	W243 x H58 x D42mm
Certification Compliance	
Certifire	-
UKCA	✓
CE	-
BS EN 1154	✓
BS EN 1634	✓
UL10C	-
UL228	✓
ANSI BHMA	-
IFCC	✓
EPD 3.09E+01 kg CO ₂ eq	✓
Key: ✓ Yes - No o Option	



All dimensions shown are in mm.

Description	EN Size	Finish	Re-order Code	Product Code	Box Qty
ITS.11205					
 <p>SINGLE ACTION ITS.11205 concealed slide arm door closer Combined unit (with SA.2 rail and connector bar - CB.5)</p>	2-5	Silver 	12048	ITS.11205.2.5.SE	10
		Satin Nickel 	12049	ITS.11205.2.5.SNP	10
		Polished Nickel 	12046	ITS.11205.2.5.PNP	10
		Black 	12216	ITS.11205.2.5.BK	10
		Polished Brass 	12047	ITS.11205.2.5.PVD	10
 <p>ITS.11205 concealed door closer-to-slide arm complete with single action connector bar - CB.5</p>	-	Silver 	12001	SA.2.5.SE	25
		Satin Nickel 	12002	SA.2.5.SNP	25
		Polished Nickel 	11998	SA.2.5.PNP	25
		Polished Brass 	11999	SA.2.5.PVD	25
Intumescent Pack	-	-	12121	IP.115	100



CERTIFICATE OF CONSTANCY OF PERFORMANCE

1720-CPR-0189

In compliance with Statutory Instruments 2019 No.465 of the United Kingdom Houses of Parliament 5th March 2019 (The Construction Products (Amendment etc.) (EU Exit) Regulations 2019), this certificate applies to the construction product:

Rutland ITS.11205.2.5 Concealed Door Closer – single action concealed overhead door closer with standard size slide rail

a single action concealed door closer for use on single or double leaf fire resisting and smoke control doors.
particular conditions applicable: **Variable power size 2 to 5 with adjustable latch and optional cushion stop back-check.**

product classification

4	8	2 5	1	1	3
---	---	--------	---	---	---

produced by

Rutland UK
Whittington Way,
Chesterfield, S41 9AG

and produced in the manufacturing plant(s)

Factory Code: B - O

This certificate attests that all provisions concerning the assessment and verification of constancy of performance and the performances described in Annex ZA of the standard(s)

BS EN 1154:1997 + A1:2002

Under system 1 are applied and that the product fulfils all the prescribed requirements set out above.

This certificate was first issued on 1st January 2021 and will remain valid as long as neither the designated standard, the construction product, the AVCP methods nor the manufacturing conditions in the plant are not modified significantly unless suspended or withdrawn by the approved product certification body.



Princes Risborough, UK

Director of Certification

IFC Certification Ltd
UK Approved Body No. 1720

20 Park Street, Princes Risborough, Buckinghamshire, HP27 9AH, UK
Tel: +44(0) 1844 275500, Fax: +44(0) 1844 274002, E-mail: info@ifccertification.com
Registered No: 4777898 England
©IFC Certification Ltd 2021

DECLARATION OF PERFORMANCE



DoP-ITS.11205-UKCA



(ITS.11205)

- Unique identification code of the product / type:-
ITS.11205 2-5 variable power Concealed Door Closer single action with adjustable latch action, 120 degree maximum opening angle.
- **Re-order Code allowing identification of the construction product as required under Article 11(4) of CPR:**
12048, 12049, 12046, 12216, 12047
- Intended use:- For use on fire/smoke compartmentation doors, when fitted in accordance with the supplied fitting instructions and maintained to the manufacturers O&M Manual.
- Manufacturer:- Rutland UK, Unit 4, Holmewood Business Park, Chesterfield Road, Chesterfield, S42 5US, UK
- System or systems of assessment and verification of constancy of performance of the construction product as set out in CPR, Annex V :- System 1
- Harmonised Standard:- BS EN 1154:1997 + A1:2002
- Notified Body:- IFCC UK Conformity Assessment body No. 1720
- Certification No.:- 1720-CPR-0189
- Declared Performance:-

Conditioning: Concealed Closer power size 2-5 with adjustable latch action with 120 degree maximum opening angle

Essential Characteristics	Performance	Harmonised Technical Specification
<i>Self-closing (5.2.1 General)</i>		
5.2.2 Durability	500,000 test cycles	BS EN 1154:1997 + A1:2002
5.2.3 Closing moment	Power size 2 - 5	
5.2.4 Opening moment	Power size 2 - 5	
5.2.5 Efficiency	Pass	
5.2.6 Closing time	Pass	
5.2.7 Angles of operation	Grade 3 for closing doors from 105 degrees	
5.2.8 Overload performance	Pass	
5.2.9 Temperature dependence	-15°C to +40°C	
5.2.10 Fluid leakage	Pass	
5.2.11 Damage	Pass	
5.2.12 Latch control	Pass	
5.2.13 Back check	Pass	
5.2.15 Adjustable closing force	Pass	

DECLARATION OF PERFORMANCE



<i>Durability of Self Closing</i>		BE EN 1154:1997 + A1:2002
5.2.2 Durability	500,000 test cycles – Grade 8	
5.2.17 Corrosion resistance	High corrosion resistance - Grade 3 (96 hours)	
Dangerous Substances	Pass: the materials in the door closer do not contain or release any dangerous substances in excess of the maximum levels specified in existing European material standards or any national regulations (1)	

The performance of the product identified above is in conformity with the set of declared performance/s.

This declaration of performance is issued, in accordance with the Construction Products (Amendment etc) (EU Exit) Regulations, 2019 No. 465 & 2020 No.1359.

Signed for and on behalf of the manufacturer by:

A handwritten signature in black ink, appearing to read 'Kevin O'Reilly', written in a cursive style.

Kevin O'Reilly
Technical Director

Dated 18-04-2024



Concealed Closer - ITS.11205 Fitting Instruction

TEL: +44 (0) 1246 261 491 | www.rutlanduk.co.uk



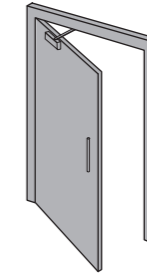
Operations and Maintenance Manual



UK
CA
1720

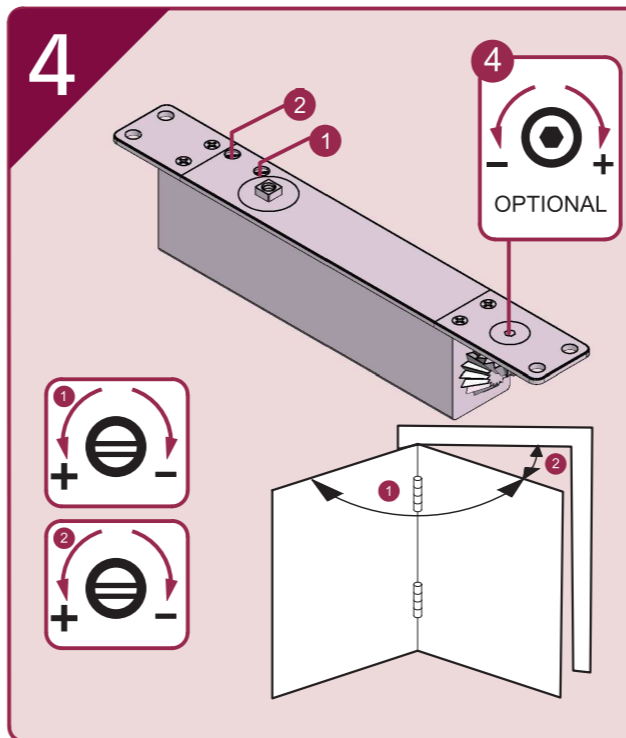
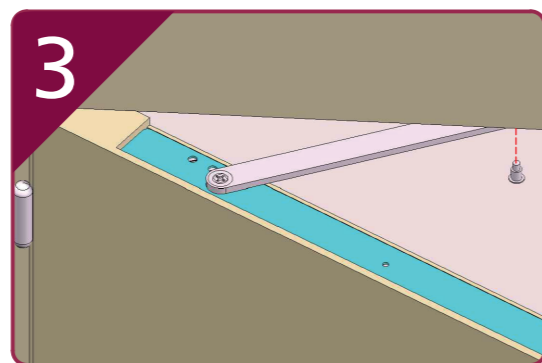
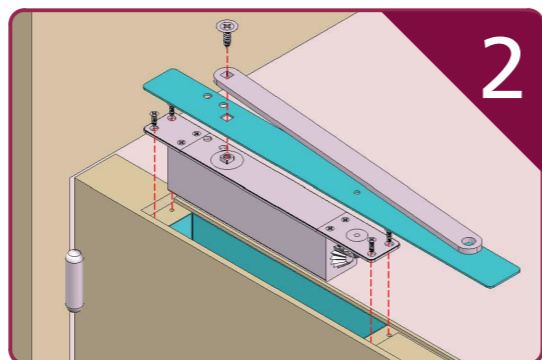
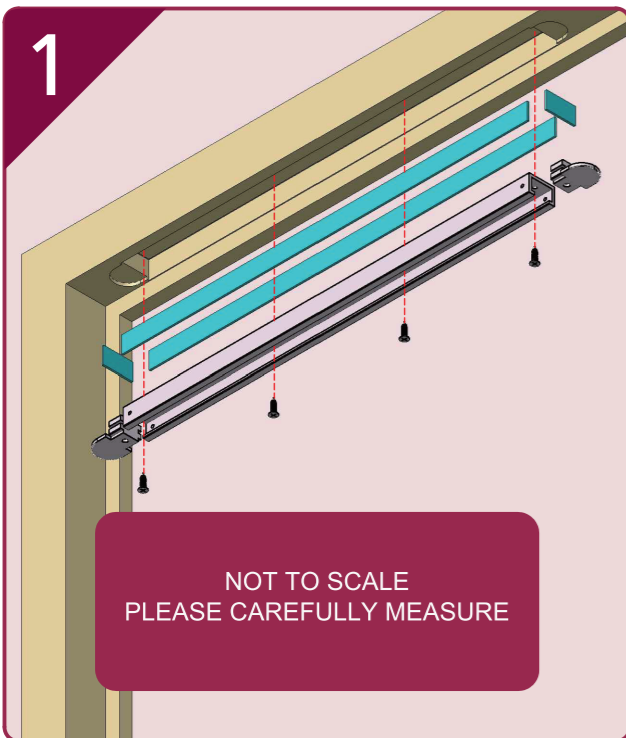
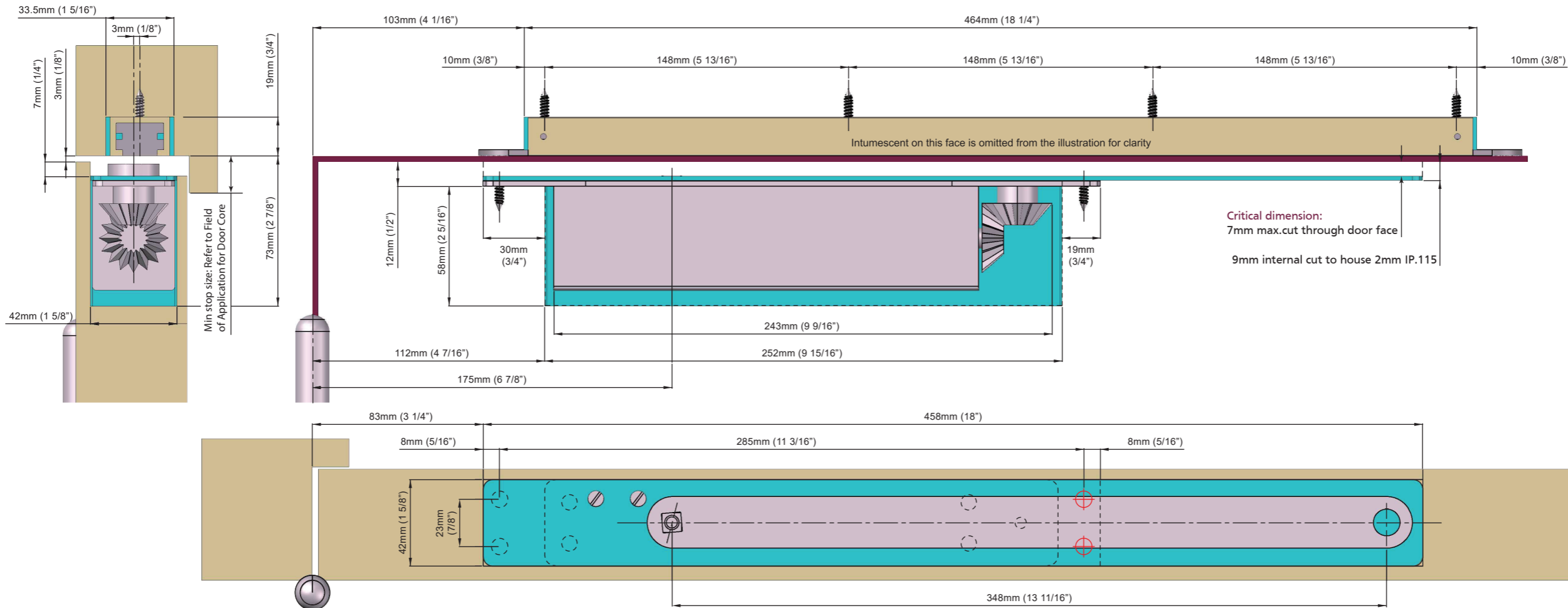
BS EN 1154

4 8 2/5 1 1 3



Fire Doors

Use in conjunction with the IP.115 Intumescent kit + Fitting Instruction



2-5 Door Closer adjustments

No. of turns	Size	Max. door width	Max. opening angle	Max weight
-3	2	850mm	110°	45
*0	3	950mm	110°	60
+3	4	1100mm	110°	80
+5	5	1250mm	110°	110

* FACTORY PRE-SET CE in size EN3-5only

IMPORTANT NOTES:
FOR UNINSULATED STEEL DOORS IP.95M MUST BE USED.
THE PINION BOLT MUST BE TIGHTENED TO 12Nm.

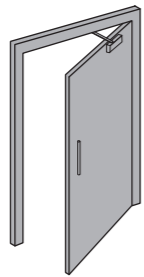
A MECHANICAL DOOR CLOSER IS NOT DESIGNED TO OVERCOME POOR FITTING, EXCESSIVE AIR PRESSURES OR BINDING SMOKE AND WEATHER SEALS. EXCESSIVE AIR PRESSURES CAN BE CREATED BY THROUGH DRAFT, BY AIR CONDITIONING, BY SMALL ROOMS WITHOUT VENTILATION, OR WHERE NO AIR TRANSFERS GRILLS ARE FITTED. MECHANICAL DOOR CLOSERS ARE DESIGNED TO CLOSE THE STATED AND TESTED SPECIFICATION OF DOOR WEIGHT AND DOORSETS/DOOR ASSEMBLIES WHEN DOORS ARE FITTED WITH CORRECT GAPS AND NOT BINDING ON SEALS. IF YOU ENCOUNTER PROBLEMS WITH DOORS NOT CLOSING PLEASE WATCH OUR "6 WAYS TO TROUBLESHOOT A DOOR CLOSER" VIDEO ONLINE. WHERE DOORS ARE NOT CLOSING DUE TO AIR PRESSURES THEN PROFESSIONAL ADVICE FROM AN AUTHORISED INSTALLER IS RECOMMENDED TO FIT TESTED AND THIRD PARTY CERTIFIED AIR TRANSFER GRILLS AND/OR AUTOMATIC DOOR OPERATORS.

FURTHER WARRANTY INFORMATION: <https://www.rutlanduk.co.uk/rutland-warranty>

THE PINION BOLT MUST BE TIGHTENED TO 12NM
FIRE DOORS MUST BE FITTED WITH INTUMESCENT GASKETS

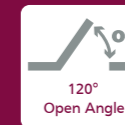
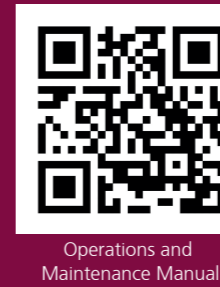
Fire Doors

Use in conjunction with the IP.115 Intumescent kit + Fitting Instruction

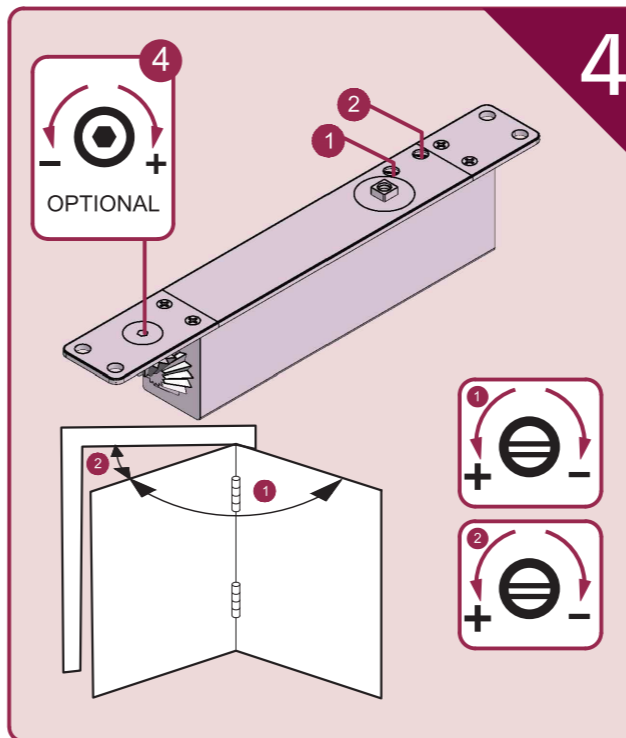
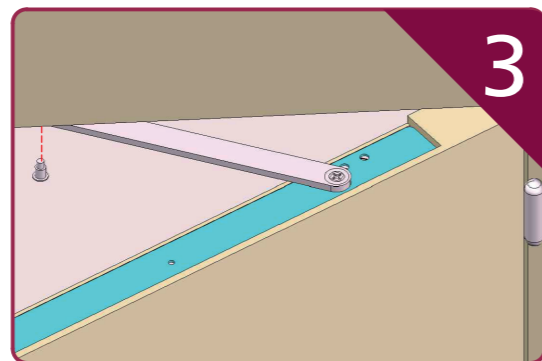
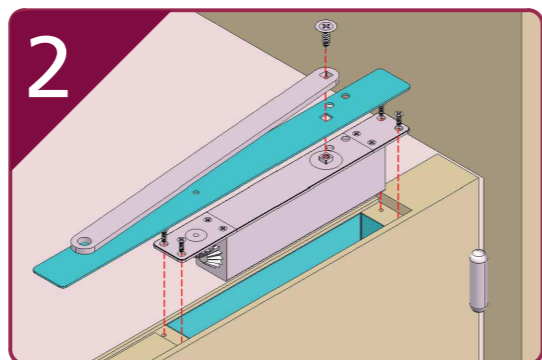
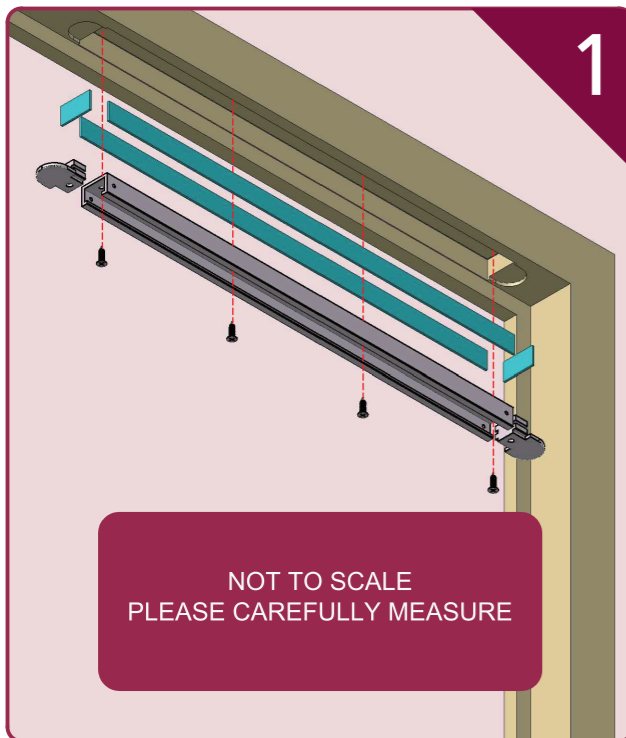
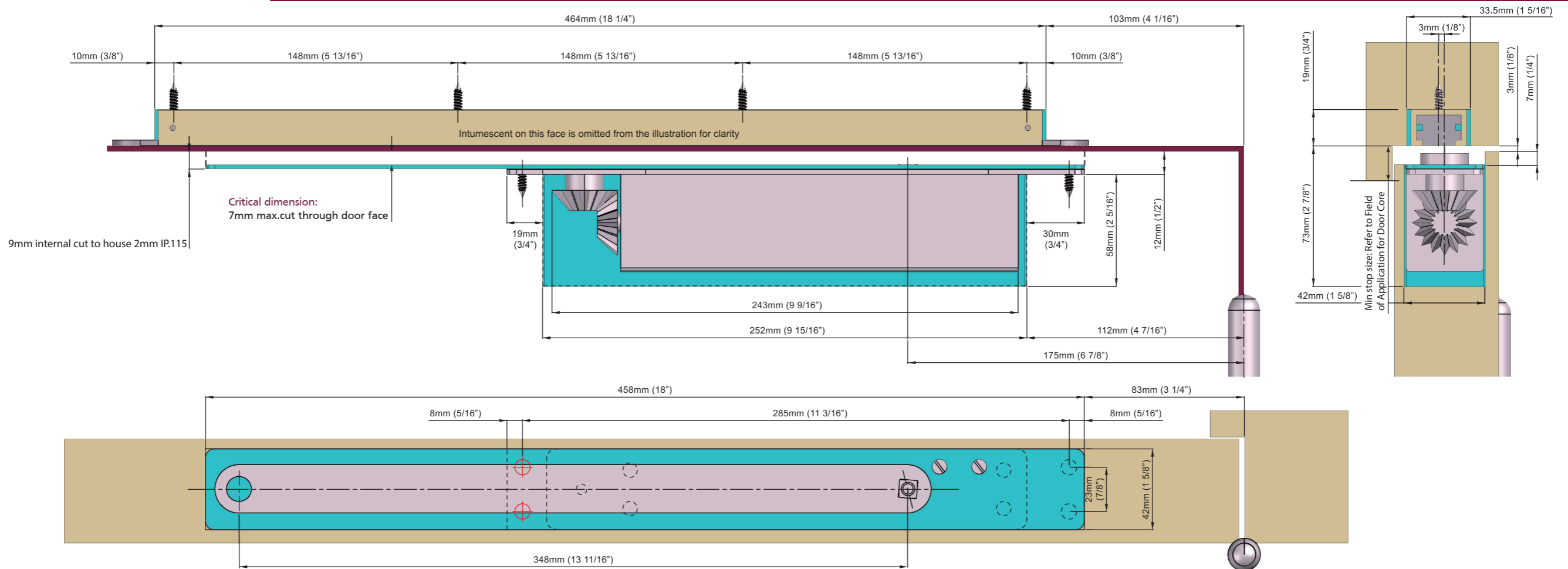


Concealed Closer - ITS.11205 Fitting Instruction

TEL: +44 (0) 1246 261 491 | www.rutlanduk.co.uk



BS EN 1154



2-5 Door Closer adjustments

No. of turns	Size	Max. door width	Max. opening angle	Max weight
-3	2	850mm	110°	45
*0	3	950mm	110°	60
+3	4	1100mm	110°	80
+5	5	1250mm	110°	110

* FACTORY PRE-SET CE in size EN3-5only

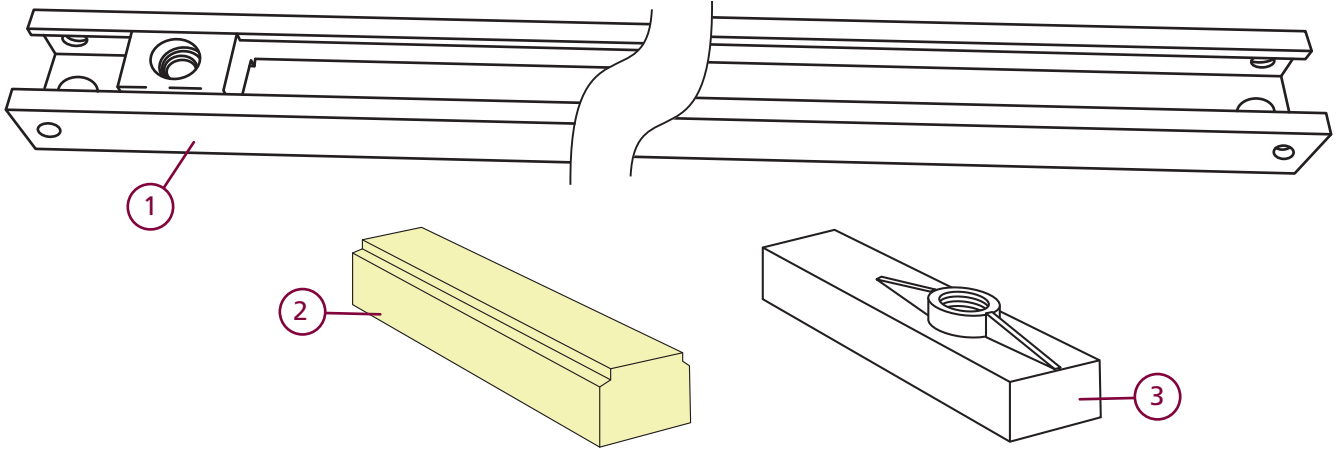
IMPORTANT NOTES:
FOR UNINSULATED STEEL DOORS IP.95M MUST BE USED.
THE PINION BOLT MUST BE TIGHTENED TO 12Nm.

A MECHANICAL DOOR CLOSER IS NOT DESIGNED TO OVERCOME POOR FITTING, EXCESSIVE AIR PRESSURES OR BINDING SMOKE AND WEATHER SEALS. EXCESSIVE AIR PRESSURES CAN BE CREATED BY THROUGH DRAFT, BY AIR CONDITIONING, BY SMALL ROOMS WITHOUT VENTILATION, OR WHERE NO AIR TRANSFERS GRILLS ARE FITTED. MECHANICAL DOOR CLOSERS ARE DESIGNED TO CLOSE THE STATED AND TESTED SPECIFICATION OF DOOR WEIGHT AND DOORSETS/DOOR ASSEMBLIES WHEN DOORS ARE FITTED WITH CORRECT GAPS AND NOT BINDING ON SEALS. IF YOU ENCOUNTER PROBLEMS WITH DOORS NOT CLOSING PLEASE WATCH OUR "6 WAYS TO TROUBLESHOOT A DOOR CLOSER" VIDEO ONLINE. WHERE DOORS ARE NOT CLOSING DUE TO AIR PRESSURES THEN PROFESSIONAL ADVICE FROM AN AUTHORISED INSTALLER IS RECOMMENDED TO FIT TESTED AND THIRD PARTY CERTIFIED AIR TRANSFER GRILLS AND/OR AUTOMATIC DOOR OPERATORS.

FURTHER WARRANTY INFORMATION: <https://www.rutlanduk.co.uk/rutland-warranty>

THE PINION BOLT MUST BE TIGHTENED TO 12NM
FIRE DOORS MUST BE FITTED WITH INTUMESCENT GASKETS

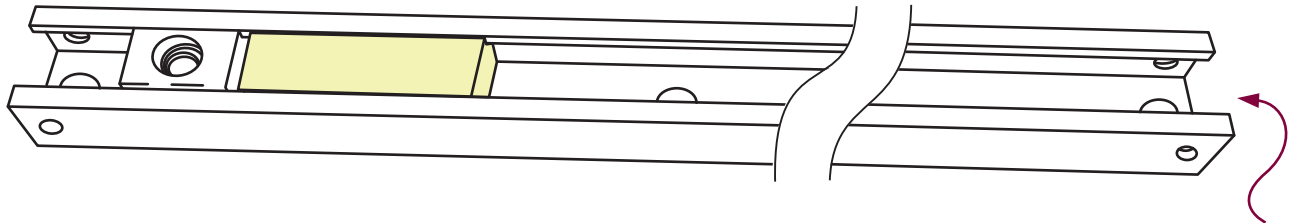
Cushion Stop Installation



KEY: ① Slide Rail ② Cushion Stop ③ Shuttle

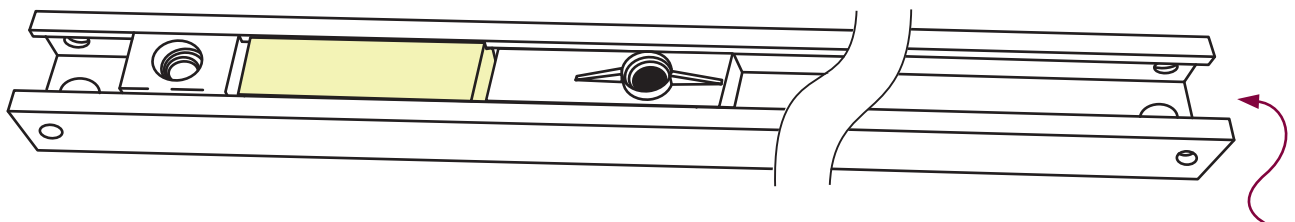
Step 1

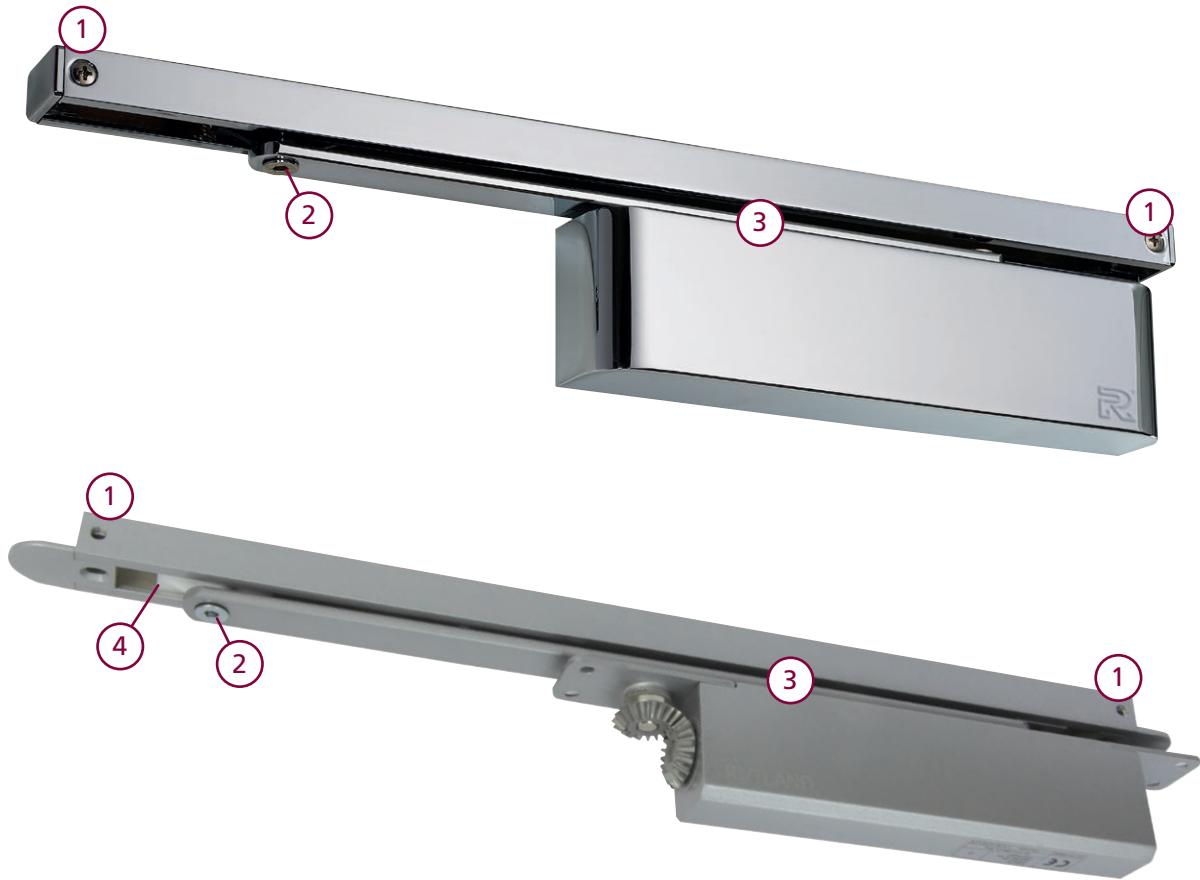
Slide the cushion (2) into the rail (1) up against the stop.



Step 2

Insert the white shuttle (3) and continue fixing the closer and connecting the rail (1).





Step 1

Check that screws are tight (No.1 & No.2), and tighten if needed, at least every 6 months.

Step 2

Tighten pinion screw (No. 3) to 12nm, at least every 6 months

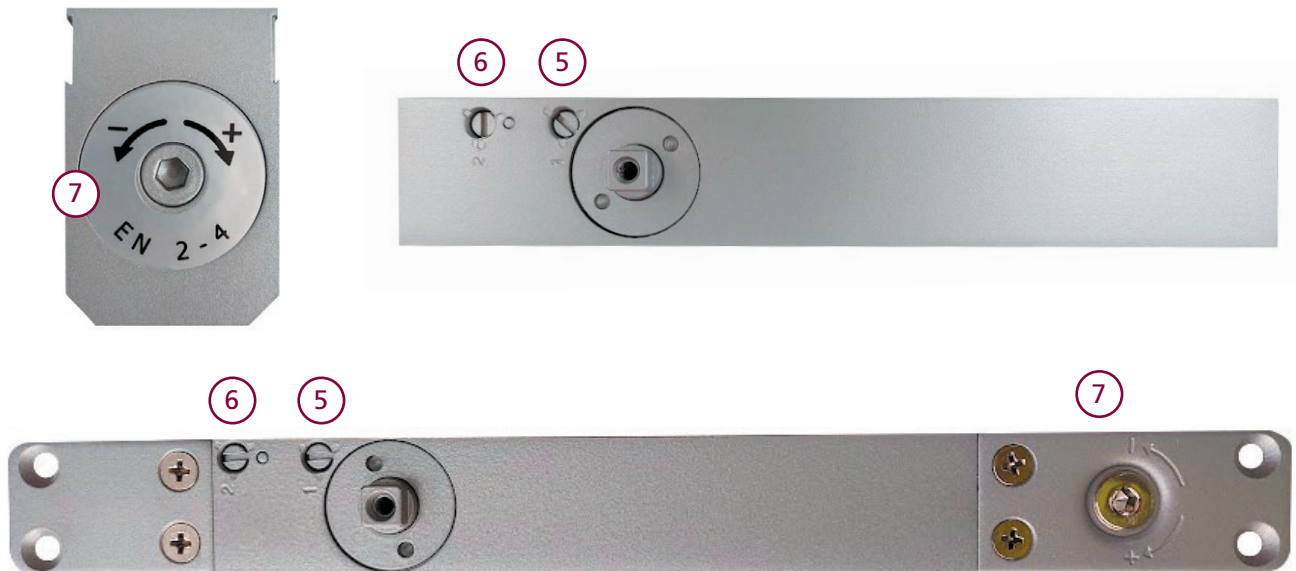
Step 3

Lubricate all moving parts, except the sliding shuttle (No.4) , at least every 6 months.

*For high usage closers, this steps will need to be carried out more often than every 6 months.

Any unusual sounds or visual defects should be addressed immediately

Valve Adjustments



Before adjusting any valves ensure the door and frame are fixed firmly and the door will close easily into the frame and latch.

- To increase the speed of a door turn the valve 1 (No.5) Anti-clockwise. If door closing too fast turn the valve 1 Clockwise to reduce the speed to a satisfactory movement.
- When the door is latching too fast adjust the valve 2 (No. 6) to the desired satisfactory action. Turn Clockwise to reduce the speed.
- If the latch is getting stuck, turn Valve 2 anti-clockwise to increase the speed but not too fast so that it slams.
- If more power is needed to overcome the latch or Intumescent seal you can increase the power by turning the power adjustment function (No. 7) with an allen key.
- If the door is too easy to open or affected by wind or air pressure, turn Clockwise to increase the power.
- If the door is stiff to open you can turn Anti-clockwise to decrease the power.

Back Check + Delayed Action on Slide Arm closers

- If the door hits a wall when fully opened you can adjust the Back Check valve. Turn valve Clockwise with a screw driver to increase the Back Check facility. This will slow the door down on opening at speed. Back Check valve if applicable to this model.
- If a delay or extra time is required on the closing of the door, the Delayed Action valve can be used. Turn the valve clockwise if more time is required or turn the valve anti-clockwise if less time is required. Delayed Action valve if applicable to this model.



SLIDE ARM DOOR CLOSERS

Back Check and Delayed Action

Rutland Back Check and Delayed Action door closers are the same as other closers, however with extra valves.

BC Valves

- BC valves are for the restraining of the door on the opening cycle, so it doesn't hit a wall or furniture behind the door.

DA Valves

- DA door closers are for giving the elderly, the infirm or children a little extra time when walking through the door way. Both valves can be altered to a greater or lesser degree as required.

Useful Videos

Scan the qr codes to view the latest helpful videos

Door closer valves



6 ways to trouble shoot a Door Closer



Enhancing life safety at every fire door

Through our expert advice and support, we provide the peace of mind that full compliance is achieved and that life safety is assured.



Head Office:

Rutland Trading Co Ltd.
Unit 4, Holmewood Business Park
Chesterfield Road, Holmewood
Chesterfield, S42 5US

Contact us:

+44 (0)1246 261491
sales@rutlanduk.co.uk
rutlanduk.co.uk