

PRODUCT FILE

TS.9205

Pack includes:

- Specification/Data sheet
- Product codes
- Fire certification – Certifire Certificate
- EU CE cert
- EU CE Declaration of Performance (DoP)
- UKCA cert
- UKCA Declaration of Performance (DoP)
- Secured by Design cert
- BIM file (Drawing only – file downloadable from the website)
- Intumescent Fitting Instructions
- Fitting instructions
- O&M Manual

SCISSOR ARM DOOR CLOSERS

TS.9205



The Shard, London UK



SCISSOR ARM DOOR CLOSERS

TS.9205

TS.9205 MARINE 316 door closer has been designed for external use, a popular and highly efficient door closer with both optional back check and delayed action, and assisting BS8300.

- Power Adjustable EN2-5.
- Standard finishes - Corrosion resistance - Grade 3: High Corrosion resistance
- MARINE 316 - Grade 5: Exceptionally high corrosion resistance
- Slimline body & cover with only 40mm projection.
- EN2-5 parallel arm an optional using short parallel arm basket (Product Code: PAB.1)



FD30 to FD120
Timber Doors



Opening Angle
180°



Two-Stage
Speed Regulation



Guarantee



Max Door
Width



Max Door
Weight

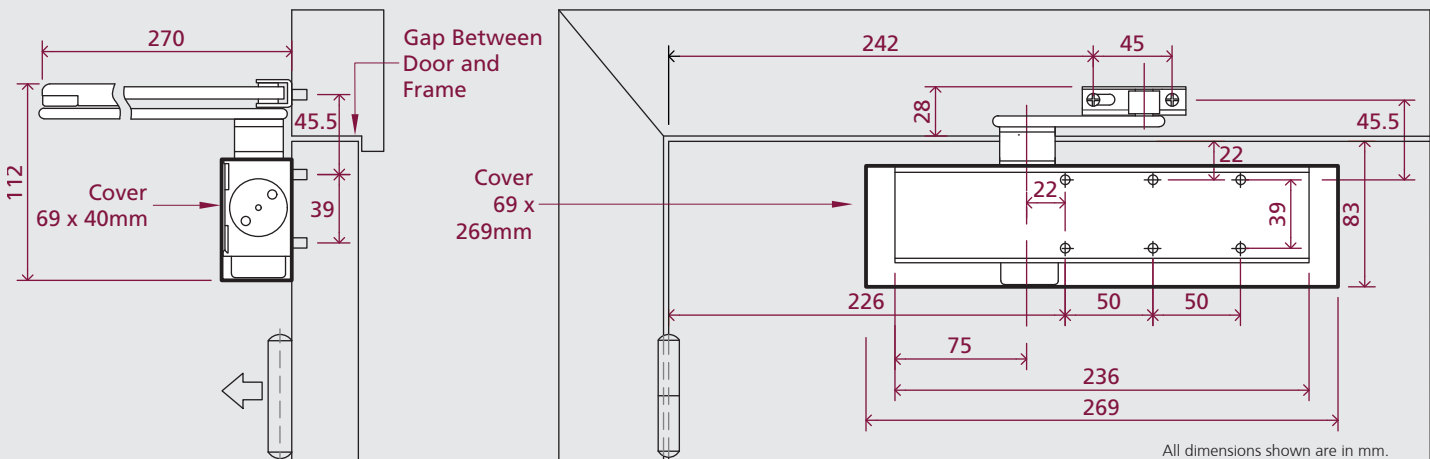


Finishes



See page 96 for more detail





Product Features	TS.9205
Delayed Action	✓
Back Check	✓
Opening Angle	180° (Fig 1)
Fig.1 Pull Side Door Width	390-1250mm
Fig.66 Push Side Door Width	390-1100mm
Fig.1 BS8300 Min Door Width	835mm
Fig.66 BS8300 Min Door Width	728mm
Max Door Weight	<110kg
Power Adjustment	By Spring
Hold Open (not for fire doors)	o
Dimensions (including cover)	W269 x H69 x D40mm
Certification Compliance	
Certifire	✓
UKCA	✓
CE	✓
BS EN 1154	✓
BS EN 1634	✓
BS EN 1670	Grade 5
UL10C	-
UL228	✓
ANSI BHMA	-
EPD 3.09E+01 kg CO ₂ eq	✓
Key: ✓ Yes - No o Option	





For fitting instructions see website

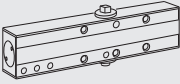
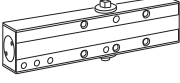
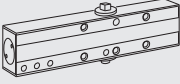
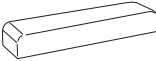
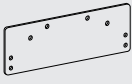
Description	EN Size	Finish	Re-order Code	Product Code	Box Qty
TS.9205					
 TS.9205 Slimline architectural door closer standard unit with screw type or flat bar armset, trimplate body, cap and PA bracket. NO COVER	2-5	Silver	11598	TS.9205.FB.SE	10
 TS.9205 Slimline architectural door closer combined unit with flat bar armset, semi-radius cover and PA bracket.	2-5	Silver	11626	TS.9205.SRFB.SESE	8
	2-5	Satin Nickel	11629	TS.9205.SRFB.SNPSNP	8
	2-5	Polished Nickel	11617	TS.9205.SRFB.PNPPNP	8
	2-5	Polished Brass	11622	TS.9205.SRFB.PVDPVD	8
	2-5	Satin Stainless Steel	11632	TS.9205.SRFB.SSSSSS	8
	2-5	Polished Stainless	11620	TS.9205.SRFB.PSSPSS	8
	2-5	Black	11884	TS.9205.SRFB.RAL9011BK	8
	2-5	Colour Coated	11883	TS.9205.SRFB.RALRAL	8

WITH BACK CHECK

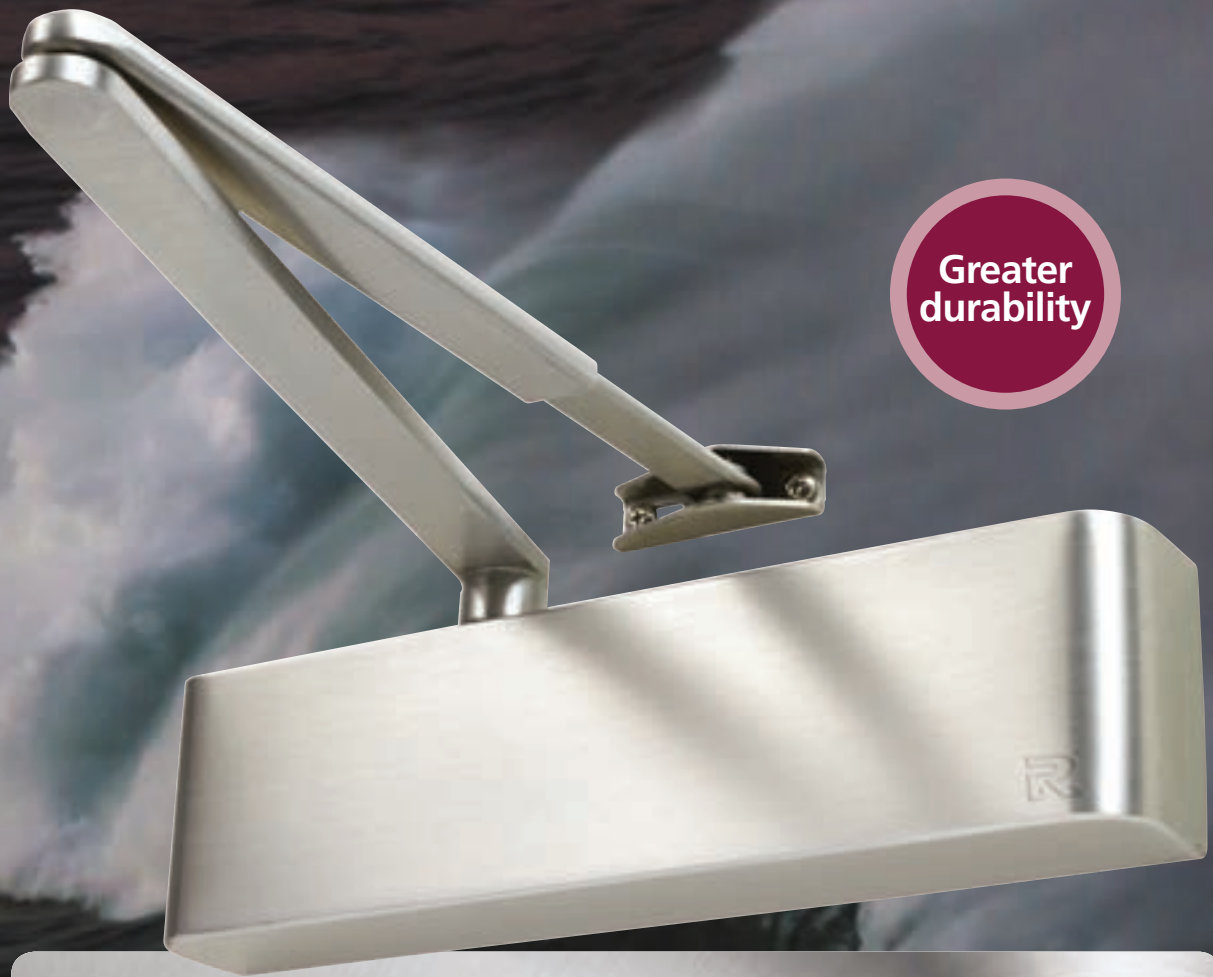
 TS.9205BC Slimline architectural door closer standard unit with back check, screw type or flat bar armset, trimplate body, cap and PA bracket. NO COVER	2-5	Silver	11664	TS.9205BC.FB.SE	10
 TS.9205BC Slimline architectural door closer combined unit with back check, flat bar armset, semi-radius cover and PA bracket.	2-5	Silver	11692	TS.9205BC.SRFB.SESE	8
	2-5	Satin Nickel	11695	TS.9205BC.SRFB.SNPSNP	8
	2-5	Polished Nickel	11683	TS.9205BC.SRFB.PNPPNP	8
	2-5	Polished Brass	11688	TS.9205BC.SRFB.PVDPVD	8
	2-5	Satin Stainless Steel	11698	TS.9205BC.SRFB.SSSSSS	8
	2-5	Polished Stainless	11686	TS.9205BC.SRFB.PSSPSS	8
	2-5	Black	11773	TS.9205BC.SRFB.RAL9011BK	8
	2-5	Colour Coated	11912	TS.9205BC.SRFB.RAL*RAL*	8

WITH DELAYED ACTION AND BACK CHECK

 TS.9205DABC Slimline architectural door closer standard unit with back check, delayed action, screw type or flat bar armset, trimplate body, cap and PA bracket. NO COVER	2-5	Silver	11730	TS.9205DABC.FB.SE	10
 TS.9205DABC Slimline architectural door closer combined unit with back check, delayed action, flat bar armset, semi-radius cover and PA bracket.	2-5	Silver	11758	TS.9205DABC.SRFB.SESE	8
	2-5	Satin Nickel	11761	TS.9205DABC.SRFB.SNPSNP	8
	2-5	Polished Nickel	11749	TS.9205DABC.SRFB.PNPPNP	8
	2-5	Polished Brass	11754	TS.9205DABC.SRFB.PVDPVD	8
	2-5	Satin Stainless Steel	11764	TS.9205DABC.SRFB.SSSSSS	8
	2-5	Polished Stainless	11752	TS.9205DABC.SRFB.PSSPSS	8
	2-5	Antique Brass	11748	TS.9205DABC.SRFB.ABAB	8
	2-5	Antique Copper	12136	TS.9205DABC.SRFB.ACAC	8
	2-5	Satin Brass	11760	TS.9205DABC.SRFB.SBSB	8
	2-5	Dark Bronze	12129	TS.9205DABC.SRFB.DBDB	8
	2-5	Medium Bronze	12131	TS.9205DABC.SRFB.MBMB	8
	2-5	Light Bronze	12130	TS.9205DABC.SRFB.LBLB	8
	2-5	Weathered Bronze	12137	TS.9205DABC.SRFB.WBWB	8
	2-5	Black	11917	TS.9205DABC.SRFB.RAL9011BK	8
	2-5	Marine 316	12095	TS.9205DABC.SRFB.A3.316SMARS	8
	2-5	Colour Coated	11916	TS.9205DABC.SRFB.RAL*RAL*	8
	2-5	Oil Rubbed Bronze	12151	TS.9205DABC.SRFB.ORBORB	8

Description	EN Size	Finish	Re-order Code	Product Code	Box Qty
 TS.9205 Mechanism including delayed action and back check (Infinitely variable power)	2-5	Silver	11733	TS.9205DABC	10
 TS.9205 Mechanism including back check (Infinitely variable power)	2-5	Silver	11667	TS.9205BC	10
 TS.9205 Mechanism only (Infinitely variable power)	2-5	Silver	11601	TS.9205	10
 TS.9000 Series semi radius cover	-	Silver	11317	SR.90.SE	25
		Satin Nickel	11318	SR.90.SNP	25
		Polished Nickel	11312	SR.90.PNP	25
		Polished Brass	11314	SR.90.PVD	25
		Satin Stainless	11319	SR.90.SSS	25
		Polished Stainless	11313	SR.90.PSS	25
		Colour Coated	12020	SR.90.RAL	25
		Polished Brass	11311	SR.90.PB	25
		Antique Brass	11307	SR.90.AB	25
		Satin Brass	11316	SR.90.SB	25
		Medium Bronze	12128	SR.90.MB	25
		Dark Bronze	12126	SR.90.DB	25
		Light Bronze	12127	SR.90.LB	25
		Weathered Bronze	12135	SR.90.WB	25
		Oil Rubbed Bronze	12150	SR.90.ORB	25
		Antique Copper	12134	SR.90.AC	25
 TS.9205 Drop plate (Includes fixing kit)	-	Silver	11050	DP.95.SE	10
		Satin Nickel	11051	DP.95.SNP	10
		Polished Nickel	11048	DP.95.PNP	10
		Polished Brass	11049	DP.95.PVD	10
TS.9000 Series fixings pack	-	Silver	11132	FIX.90.SE	100
Shoe plate	-	Silver	11269	SP.1.SE	50
		Satin Nickel	11270	SPA.1.SNP	50
Trim Plate	-	Silver	11342	TP.95.SE	100
Mounting Plate	-	Silver	12032	MP.95.SE	50

Marine 316 finish



Marine 316

A true Stainless Steel finish:

- ✓ Available for the TS.9205 & TS.9206 door closers
- ✓ Ideal for extreme corrosive environments
- ✓ No Tarnish and very hygienic

For technical specification of the door closers, see individual product data sheet.



CERTIFICATE OF APPROVAL

No CF 6144

This is to certify that, in accordance with
TS00 General Requirements for Certification of Fire Protection Products
The undermentioned products of

RUTLAND UK

Whittington Way
Chesterfield
S41 9AG
United Kingdom
TEL: 01246 261491

Have been assessed against the requirements of the Technical Schedule(s)
denoted below and are approved for use subject to the conditions
appended hereto:

CERTIFIED PRODUCT

TS.9205 Series Surface Mounted
Overhead Closers

TECHNICAL SCHEDULE

TS 34 - The Contribution Of
Controlled Door Closing
Devices And Accessories To
Fire Resisting Doorsets

Signed and sealed for and on behalf of Warringtonfire Testing and Certification Limited

Paul Duggan
Certification Manager



Issued: 5th July 2023
Frequency: Annually
Valid to: 4th July 2028



CERTIFICATE No CF 6144 RUTLAND UK

TS.9205 SERIES SURFACE MOUNTED OVERHEAD DOOR CLOSERS

1. This certification is provided to the client for their own purposes, and we cannot opine on whether it will be accepted by Building Control authorities or any other third parties for any purpose.
2. This approval relates to the following overhead mounted rack and pinion door closing devices and configurations:

TABLE 1							
Link-arms				Slide arms			
	Projecting arm (Fig. 1) Body door mounted on pull face	Projecting arm (Fig. 61) Body transom mounted on push face	Parallel arm (Fig. 6) Body door mounted on push face	Body door mounted on pull face	Body transom mounted on push face	Body door mounted on push face	Body transom mounted on pull face
TS.9205	✓	✗	✓	✗	✗	✗	✗
TS.9205BC	✓	✗	✗	✗	✗	✗	✗
TS.9205DABC	✓	✗	✗	✗	✗	✗	✗

Key: ✓ - approved ✗ - Not approved

Note: Where alternative arms for non-fire applications are included within the packaging, the use of these components on fire resisting door assemblies will invalidate the certification.

3. This approval relates to their use with the following door assemblies: -

Code ITT - 20 minute to 120 minute door assemblies door assemblies incorporating intumescent perimeter seals and consisting of timber faced and edged leaves with timber or cellulosic cores, hung in timber or cellulosic frames.
4. The closers are approved on the basis of:
 - i) Initial type testing to BS EN 1154 and BS EN 1634-1
 - ii) An appraisal against TS34
 - iii) Certification of quality management system.
 - iv) Inspection and surveillance of factory production control
 - v) On-going audit testing in accordance with EN 1154 requirements
5. This approval is applicable only to the specified closers when mounted in the applications stated later under the classification codes section of this certificate and used with door assemblies of proven fire resistance (as defined in BS EN 1634-1:2014+A1:2018 or BS 476-22: 1987.) and having power ratings appropriate to the leaf sizes subject to a minimum size 3 (as specified in BS EN 1154).

Signed Page 2 of 6
J/150



Issued: 5th July 2023
Valid to: 4th July 2028



CERTIFICATE No CF 6144 RUTLAND UK

TS.9205 SERIES SURFACE MOUNTED OVERHEAD DOOR CLOSERS

6. The closers shall be fixed with screws supplied by the closer manufacturer. Bolt-through fixings shall not be used.
7. Where the closers are fitted to door leaves or frames that are manufactured from mineral-based materials, or low-density cellulosic-based material, the door assembly shall have previously been shown capable of accommodating the installation of closers at the head of the doorset, without detriment to the door assembly's performance.
8. Timber based doorset shall be installed in accordance with BS 8214.
9. The approval relates to on-going production. The product and/or its immediate packaging are identified with the manufacturer's name, the product name or number, the CERTIFIRE name or name and mark, together with the CERTIFIRE certificate number and application where appropriate.

Signed Page 3 of 6
J/150

Issued: 5th July 2023
Valid to: 4th July 2028



CERTIFICATE No CF 6144 RUTLAND UK

TS.9205 SERIES SURFACE MOUNTED OVERHEAD DOOR CLOSERS

7. The following table show acceptable doorset types and fire resistance periods:

TABLE 2				
	Approved Door Type			
Class	IMM	MM	ITT	ITM
FD20	x	x	✓	x
FD30	x	x	✓	x
FD60	x	x	✓	x
FD90	x	x	✓	x
FD120	x	x	✓	x
FD240	x	x	x	x
E 20	x	x	✓	x
EI 20	x	x	✓	x
E 30	x	x	✓	x
EI 30	x	x	✓	x
E 60	x	x	✓	x
EI 60	x	x	✓	x
E 90	x	x	✓	x
EI 90	x	x	✓	x
E 120	x	x	✓	x
EI 120	x	x	✓	x
E 240	x	x	x	x
EI 240	x	x	x	x

Key:

✓ - approved

x - Not approved

Signed Page 4 of 6
J/150

Issued: 5th July 2023

Valid to: 4th July 2028



CERTIFICATE No CF 6144

RUTLAND UK

TS.9205 SERIES SURFACE MOUNTED OVERHEAD DOOR CLOSERS

8. Doors are classified as the following types:

Code ITT - 20 minute to 120 minute door assemblies door assemblies incorporating intumescent perimeter seals and consisting of timber faced and edged leaves with timber or cellulosic cores, hung in timber or cellulosic frames.

Code ITM - 20 minute to 120 minute door assemblies door assemblies incorporating intumescent perimeter seals and consisting of timber faced and edged leaves with timber or cellulosic cores, hung in steel frames.

Code MM - 20 to 240 minute doorsets consisting of uninsulated or insulated predominantly steel leaves, hung in steel frames without intumescent seals.

Code IMM - 20 to 240 minute doorsets consisting of uninsulated or insulated predominantly steel leaves, hung in steel frames with intumescent seals.

Classification codes:

TS.9205 Projecting arm (Figure 1) to EN1154:

4	8	5 2	1	1	3
---	---	--------	---	---	---

TS.9205 Parallel arm (Figure 6) to EN1154:

3	8	5 2	1	1	3
---	---	--------	---	---	---

TS.9205BC Projecting arm (Figure 1) to EN1154:

4	8	5 2	1	1	3
---	---	--------	---	---	---

TS.9205DABC Projecting arm (Figure 1) to EN1154:

3	8	5 2	1	1	3
---	---	--------	---	---	---

Note: power ratings shall be appropriate to the leaf sizes subject to a minimum size 3 (as specified in BS EN 1154).

Signed Page 5 of 6
J/150

Issued: 5th July 2023
Valid to: 4th July 2028



CERTIFICATE No CF 6144 RUTLAND UK

TS.9205 SERIES SURFACE MOUNTED OVERHEAD DOOR CLOSERS

Scope of Approval:

- Doors may not include uninsulated glass above 20% of their total area. Uninsulated glass shall not be included directly beneath the door closer body.
- The closers may not be fitted to timber doorsets without perimeter intumescent fire seals to the frame rebate or door edge.
- Mechanical Hold open option is not approved.
- The following functions are supported by this certification:

TABLE 3				
Closer Ref.	Application	Latch Control	Backcheck	Delayed-Action
TS.9205	Projecting arm (Figure 1)	✓	X	X
TS.9205	Parallel arm (Figure 6)	X	X	X
TS.9205BC	Projecting arm (Figure 1)	✓	✓	X
TS.9205DABC	Projecting arm (Figure 1)	X	✓	✓

Further Information

Further information regarding the details contained in this certificate may be obtained from Rutland UK (Tel: 01246 261491).

Further information regarding CERTIFIRE certification and other approved products can be obtained from CERTIFIRE (Tel: 01925 646777).

Signed Page 6 of 6
J/150

Issued: 5th July 2023
Valid to: 4th July 2028

CERTIFICAT DE CONSTANCE DES PERFORMANCES
CERTIFICATE OF CONSTANCY OF PERFORMANCE

N° 1812-CPR-1809

Conformément au Règlement 305/2011/EU du Parlement européen et du Conseil du 9 mars 2011 (Règlement Produits de Construction – RPC), il a été établi que le produit de construction :

In compliance with Regulation 305/2011/EU of the European Parliament and of the Council of 9 March 2011 (the Construction Products Regulation or CPR), it was established that the construction product:

Produit
Product

Quincaillerie pour le bâtiment - Dispositifs de fermeture de porte avec amortissement
Building hardware. Controlled door closing devices

Référence du produit
Reference of the product

Rutland TS.9205 DA.BC Overhead Door Closer

mis sur le marché par ou pour
placed on the market by or for

Rutland UK
Whittington Way,
Chesterfield, S41 9AG
Royaume Uni / United kingdom

et produit dans l'usine de fabrication de
and produced in the manufacturing plant located in

E/010
K/020

est soumis par le fabricant à un contrôle de production en usine, et que EFECTIS France, organisme de certification notifié, a réalisé les essais/calculs de type initiaux relatifs aux caractéristiques concernées du produit, l'inspection initiale de l'usine et du contrôle de la production en usine, et réalise la surveillance continue, l'évaluation et l'acceptation du contrôle de la production en usine.

is submitted by the manufacturer to a factory production control, and that the notified certification body EFECTIS France, has performed the initial type-testing for the relevant characteristics of the product, the initial inspection of the factory and of the factory production control and performs the continuous surveillance, assessment and approval of factory production control.

Ce certificat atteste que toutes les dispositions concernant l'évaluation et la vérification de la constance des performances et les performances décrites dans l'annexe ZA de la norme de référence **EN 1154 : 1996 +A1 : 2002** pour le système 1 sont appliquées, et que le ou les produits satisfont toutes les exigences prescrites.

*This certificate attests that all provisions concerning the assessment and verification of constancy of performance and the performance, described in Annex ZA of the standard **EN 1154 : 1996 +A1 : 2002** under system 1 are applied, and that the product(s) fulfill(s) all the prescribed requirements set out above.*

Ce certificat, délivré pour la première fois le **8 décembre 2020**, demeure valide tant que les exigences relatives aux méthodes d'essai et au contrôle de production en usine incluses dans la norme harmonisée et utilisées pour évaluer les caractéristiques déclarées restent inchangées, et que le produit et les conditions de fabrication dans l'usine ne sont pas modifiés de manière significative.

*This certificate, first issued on **December 8th, 2020** remains valid as long as the test methods and/or factory production control requirements included in the harmonised standard, used to assess the performance of the declared characteristics, do not change, and the product and the manufacturing conditions in the plant are not modified significantly.*

Ce certificat permet au fabricant, ses mandataires ou ses distributeurs, établis dans l'Espace Economique Européen, d'apposer le marquage CE.

This certificate allows the manufacturer, its mandatories or its distributors, stated in the European Economic Area, to affix the CE marking.

Certificat établi à Saint-Aubin le / Certificate established at Saint-Aubin on : **13/01/2025.**

Par délégation du Directeur technique Certification / By delegation of the technical Certification director,


Yannick LE TALLEC
Directrice Certification / Certification director



Organisme notifié
Notified body
n° 1812

**ANNEXE AU CERTIFICAT DE CONSTANCE DES PERFORMANCES
A LA NORME EN 1154 : 1996 +A1 : 2002
ANNEX TO THE CERTIFICATE OF CONSTANCY OF PERFORMANCE
TO THE STANDARD EN 1154 : 1996 +A1 : 2002**

N° 1812-CPR-1809

Produit <i>Product</i>	Quincaillerie pour le bâtiment - Dispositifs de fermeture de porte avec amortissement <i>Building hardware. Controlled door closing devices</i>
Référence du produit <i>Reference of the product</i>	Rutland TS.9205 DA.BC Overhead Door Closer
Certificat délivré à <i>Certificate delivered to</i>	Rutland UK Whittington Way, Chesterfield, S41 9AG Royaume Uni / United kingdom

Description du champ couvert par le certificat / Description of the field covered by the certificate:

Ferme porte avec amortissement - dispositif de fermeture de porte contrôlé à action unique à force ajustable (fixation en position standard)

Overhead door closer - Adjustable strength single action controlled door closing (standard fixing position)

Installation du produit / <i>Product installation</i>	Classification EN 1154 / <i>Classification EN 1154</i>					
Position standard / <i>Standard position</i>	4	8	5/2	1	1	3

Ferme porte avec amortissement - dispositif de fermeture de porte contrôlé à action unique à force ajustable – Grand bras parallèle support PAB 1 (angle d'ouverture maximum – 180°)
Ferme porte avec amortissement - dispositif de fermeture de porte contrôlé à action unique à force ajustable – Montage côté traction (angle d'ouverture maximum – 180°)

Overhead door closer - Adjustable strength single action controlled door closing Parallel Arm Classification using large parallel arm bracket PAB.1 (Maximum opening angle 180°)
Overhead door closer - Adjustable strength single action controlled door closing – mounted pull side (Maximum opening angle 180°)

Installation du produit / <i>Product installation</i>	Classification EN 1154 / <i>Classification EN 1154</i>					
Position standard / <i>Standard position</i>	4	8	4/2	1	1	3

Ferme porte avec amortissement - dispositif de fermeture de porte contrôlé à action unique à force ajustable –Petit bras parallèle support PAB 2 (angle d'ouverture maximum – 120°)

Overhead door closer - Adjustable strength single action controlled door closing Parallel Arm Classification using small parallel arm bracket PAB.2 (Maximum opening angle 120°)

Installation du produit / <i>Product installation</i>	Classification EN 1154 / <i>Classification EN 1154</i>					
Position parallèle / <i>Parallel position</i>	3	8	5/2	1	1	3

Certificat établi à Saint-Aubin le / *Certificate established at Saint-Aubin on* : **13/01/2025.**

Par délégation du Directeur technique Certification / *By delegation of the technical Certification director,*

Yannick LE TALLEC
Directrice Certification / *Certification director*



DECLARATION OF PERFORMANCE



DoP-TS.9205-66-CE

(TS.9205 Fig 66 Push Side)

- Unique identification code of the product / type:-
TS.9205 DA BC 2-5 variable power Surface Fixed Door Closer with Fig 66 Parallel Arm Fixing Position using Isamll bracket PAB 2, with optional back check, delayed action and adjustable latch action, 120 degree maximum opening angle.
- **Re-order Code allowing identification of the construction product as required under Article 11(4) of CPR:**
11598, 11626, 11629, 11617, 11622, 11632, 11620, 11884, 11883, 11664, 11692, 11695, 11683, 11688, 11698, 11686, 11773, 11912, 11730, 11758, 11761, 11749, 11754, 11764, 11752, 11748, 12136, 11760, 12129, 12131, 12130, 12137, 11917, 12095, 11916, 12151, 11733, 11667, 11601
- Intended use:- For use on fire/smoke compartmentation doors, when fitted in accordance with the supplied fitting instructions and maintained to the manufacturers O&M Manual.
- Manufacturer:- Rutland Door Controls Europe Limited, Unit 5B, Fingal Bay Business Park, Balbriggan, Dublin, Ireland
- System/s assessment and verification of constancy of performance (AVCP):- System 1
- Harmonised Standard:- EN 1154:1996 + A1:2002
- Notified Body:- Efectis EU notified body no. 1812
- Certification No.:- 1812-CPR-1809 dated 08-01-2024
- Declared Performance:-

Conditioning: Parallel Arm Fixing Position (Fig 66) power size 2-4, with optional back check, delayed action and adjustable latch action, 120 degree maximum opening angle

Essential Characteristics	Performance	Harmonised Technical Specification
<i>Self-closing (5.2.1 General)</i>		EN 1154:1996 + A1:2002
5.2.2 Durability	500,000 test cycles	
5.2.3 Closing moment	Power size 2 - 5	
5.2.4 Opening moment	Power size 2 - 5	
5.2.5 Efficiency	Pass	
5.2.6 Closing time	Pass	
5.2.7 Angles of operation	Grade 3 for closing doors from 105 degrees	
5.2.8 Overload performance	Pass	
5.2.9 Temperature dependence	-15°C to +40°C	
5.2.10 Fluid leakage	Pass	
5.2.11 Damage	Pass	
5.2.12 Latch control	Pass	
5.2.13 Back check	Pass	
5.2.15 Adjustable closing force	Pass	

DECLARATION OF PERFORMANCE



<i>Durability of Self Closing</i>		EN 1154:1996 + A1:2002
5.2.2 Durability	500,000 test cycles – Grade 8	
5.2.17 Corrosion resistance	High corrosion resistance - Grade 3 (96 hours)	
Dangerous Substances	Pass: the materials in the door closer do not contain or release any dangerous substances in excess of the maximum levels specified in existing European material standards or any national regulations (1)	

The performance of the product identified above is in conformity with the set of declared performance/s.

This declaration of performance is issued, in accordance with Regulation (EU) No 305/2011, under the sole responsibility of the manufacturer identified above.

Signed for and on behalf of the manufacturer by:

A handwritten signature in black ink, appearing to read 'Kevin O'Reilly', written over a horizontal line.

Kevin O'Reilly
Technical Director

Dated 18-04-2024

DECLARATION OF PERFORMANCE



DoP-TS.9205-66P-CE



(TS.9205 Fig 66 Parallel Arm Pull Side)

- Unique identification code of the product / type:-
- **TS.9205 DA BC 2-4 variable power Surface Fixed Door Closer with Fig 66 Parallel Arm Fixing Position using large bracket PAB 1, with optional back check, delayed action and adjustable latch action, 180 degree maximum opening angle.**
- **Re-order Code allowing identification of the construction product as required under Article 11(4) of CPR:** 11598, 11626, 11629, 11617, 11622, 11632, 11620, 11884, 11883, 11664, 11692, 11695, 11683, 11688, 11698, 11686, 11773, 11912, 11730, 11758, 11761, 11749, 11754, 11764, 11752, 11748, 12136, 11760, 12129, 12131, 12130, 12137, 11917, 12095, 11916, 12151, 11733, 11667, 11601
Intended use:- For use on fire/smoke compartmentation doors, when fitted in accordance with the supplied fitting instructions and maintained to the manufacturers O&M Manual.
- Manufacturer:- Rutland Door Controls Europe Limited, Unit 5B, Fingal Bay Business Park, Balbriggan, Dublin, Ireland
- System/s assessment and verification of constancy of performance (AVCP):- System 1
- Harmonised Standard:- EN 1154:1997 + A1:2002
- Notified Body:- Efectis EU notified body no. 1812
- Certification No.:- 1812-CPR-1809
- Declared Performance:-

Conditioning: Parallel Arm Fixing Position (Fig 66) power size 2-5, with optional back check, delayed action and adjustable latch action, 180 degree maximum opening angle

Essential Characteristics	Performance	Harmonised Technical Specification
<i>Self-closing (5.2.1 General)</i>		EN 1154:1996 + A1:2002
5.2.2 Durability	500,000 test cycles	
5.2.3 Closing moment	Power size 2 - 4	
5.2.4 Opening moment	Power size 2 - 4	
5.2.5 Efficiency	Pass	
5.2.6 Closing time	Pass	
5.2.7 Angles of operation	Grade 4 for closing doors from 180 degrees	
5.2.8 Overload performance	Pass	
5.2.9 Temperature dependence	-15°C to +40°C	
5.2.10 Fluid leakage	Pass	
5.2.11 Damage	Pass	
5.2.12 Latch control	Pass	
5.2.13 Back check	Pass	

DECLARATION OF PERFORMANCE



5.2.15 Adjustable closing force	Pass
---------------------------------	------

<i>Durability of Self Closing</i>		EN 1154:1996 + A1:2002
5.2.2 Durability	500,000 test cycles – Grade 8	
5.2.17 Corrosion resistance	High corrosion resistance - Grade 3 (96 hours)	
Dangerous Substances	Pass: the materials in the door closer do not contain or release any dangerous substances in excess of the maximum levels specified in existing European material standards or any national regulations (1)	

The performance of the product identified above is in conformity with the set of declared performance/s.

This declaration of performance is issued, in accordance with Regulation (EU) No 305/2011, under the sole responsibility of the manufacturer identified above.

Signed for and on behalf of the manufacturer by:

A handwritten signature in black ink, appearing to read 'Kevin O'Reilly', written over a horizontal line.

Kevin O'Reilly
Technical Director

Dated 18-04-2024

DECLARATION OF PERFORMANCE



DoP-TS.9205-1-CE

(TS.9205 Fig 1)

- Unique identification code of the product / type:-
TS.9205 DA BC 2-5 variable power Surface Fixed Door Closer with Fig 1 Standard Fixing Position, with optional back check, delayed action and adjustable latch action, 180 degree maximum opening angle.
- **Re-order Code allowing identification of the construction product as required under Article 11(4) of CPR:**
11598, 11626, 11629, 11617, 11622, 11632, 11620, 11884, 11883, 11664, 11692, 11695, 11683, 11688, 11698, 11686, 11773, 11912, 11730, 11758, 11761, 11749, 11754, 11764, 11752, 11748, 12136, 11760, 12129, 12131, 12130, 12137, 11917, 12095, 11916, 12151, 11733, 11667, 11601
- Intended use:- For use on fire/smoke compartmentation doors, when fitted in accordance with the supplied fitting instructions and maintained to the manufacturers O&M Manual.
- Manufacturer:- Rutland Door Controls Europe Limited, Unit 5B, Fingal Bay Business Park, Balbriggan, Dublin, Ireland
- System or systems assessment and verification of constancy of performance (AVCP):- System 1
- Harmonised Standard:- EN 1154:1996 + A1:2002
- Notified Body:- Efectis EU notified body no. 1812
- Certification No.:- 1812-CPR-1809 dated 08-01-2024
- Declared Performance:-

Conditioning: Standard Position (Fig 1) power size 2-5, with optional back check, delayed action and adjustable latch action, 180 degree maximum opening angle

Essential Characteristics	Performance	Harmonised Technical Specification
<i>Self-closing (5.2.1 General)</i>		EN 1154:1996 + A1:2002
5.2.2 Durability	500,000 test cycles	
5.2.3 Closing moment	Power size 2 - 5	
5.2.4 Opening moment	Power size 2 - 5	
5.2.5 Efficiency	Pass	
5.2.6 Closing time	Pass	
5.2.7 Angles of operation	Grade 4 for closing doors from 180 degrees	
5.2.8 Overload performance	Pass	
5.2.9 Temperature dependence	-15°C to +40°C	
5.2.10 Fluid leakage	Pass	
5.2.11 Damage	Pass	
5.2.12 Latch control	Pass	
5.2.13 Back check	Pass	
5.2.15 Adjustable closing force	Pass	

DECLARATION OF PERFORMANCE



<i>Durability of Self Closing</i>		EN 1154:1996 + A1:2002
5.2.2 Durability	500,000 test cycles – Grade 8	
5.2.17 Corrosion resistance	High corrosion resistance - Grade 3 (96 hours)	
Dangerous Substances	Pass: the materials in the door closer do not contain or release any dangerous substances in excess of the maximum levels specified in existing European material standards or any national regulations (1)	

The performance of the product identified above is in conformity with the set of declared performance/s.

This declaration of performance is issued, in accordance with Regulation (EU) No 305/2011, under the sole responsibility of the manufacturer identified above.

Signed for and on behalf of the manufacturer by:

A handwritten signature in black ink, appearing to read 'Kevin O'Reilly', written in a cursive style.

Kevin O'Reilly
Technical Director

Dated 18-04-2024



CERTIFICATE OF CONSTANCY OF PERFORMANCE

1720-CPR-0183

Issued by IFC Certification Ltd part of the Kiwa UK Group

In compliance with Statutory Instruments 2019 No.465 of the United Kingdom Houses of Parliament 5th March 2019 (The Construction Products (Amendment etc.) (EU Exit) Regulations 2019), this certificate applies to the construction product:

Rutland TS.9205 DABC Overhead Door Closer

a single action overhead closer with delayed action and back check* for use on fire resisting and smoke control doors. Particular conditions applicable:

Product classifications – TS.9205 DABC Standard Door mount Pull Side Application

4	8	2 5	1	1	3
---	---	--------	---	---	---

Product classification – TS.9205 Parallel Arm Application (small PA bracket)

3	8	2 5	1	1	3
---	---	--------	---	---	---

Product classification – TS.9205 Parallel Arm Application (large PA bracket)

4	8	2 5	1	1	3
---	---	--------	---	---	---

produced by

Rutland UK
Whittington Way,
Chesterfield, S41 9AG

and produced in the manufacturing plant(s)

Factory Codes: B-O, J-B

This certificate attests that all provisions concerning the assessment and verification of constancy of performance and the performances described in Annex ZA of the standard(s)

BS EN 1154:1997 + A1:2002

Under system 1 are applied and that the product fulfils all the prescribed requirements set out above.

This certificate was first issued on 1st January 2021, and amended on 6th October 2023, and will remain valid as long as neither the designated standard, the construction product, the AVCP methods nor the manufacturing conditions in the plant are not modified significantly unless suspended or withdrawn by the approved product certification body.

Ian Woodhouse
Head of Technical – IFC Certification
Kiwa Ltd

CERTIFICATE



DECLARATION OF PERFORMANCE



DoP-TS.9205-66-UKCA



(TS.9205 Fig 66 Push Side)

- Unique identification code of the product / type:-
TS.9205 DA BC 2-5 variable power Surface Fixed Door Closer with Fig 66 Parallel Arm Fixing Position using small bracket PAB 2, with optional back check, delayed action and adjustable latch action, 120 degree maximum opening angle.
- **Re-order Code allowing identification of the construction product as required under Article 11(4) of CPR:**
11598, 11626, 11629, 11617, 11622, 11632, 11620, 11884, 11883, 11664, 11692, 11695, 11683, 11688, 11698, 11686, 11773, 11912, 11730, 11758, 11761, 11749, 11754, 11764, 11752, 11748, 12136, 11760, 12129, 12131, 12130, 12137, 11917, 12095, 11916, 12151, 11733, 11667, 11601
- Intended use:- For use on fire/smoke compartmentation doors, when fitted in accordance with the supplied fitting instructions and maintained to the manufacturers O&M Manual.
- Manufacturer:- Rutland UK, Unit 4, Holmewood Business Park, Chesterfield Road, Chesterfield, S42 5US, UK
- System or systems of assessment and verification of constancy of performance of the construction product as set out in CPR, Annex V :- System 1
- Harmonised Standard:- BS EN 1154:1997 + A1:2002
- Notified Body:- IFCC UK Conformity Assessment body No. 1720
- Certification No.:- 1720-CPR-0183
- Declared Performance:-

Conditioning: Parallel Arm Fixing Position (Fig 66) power size 2-4, with optional back check, delayed action and adjustable latch action, 120 degree maximum opening angle

Essential Characteristics	Performance	Harmonised Technical Specification
<i>Self-closing (5.2.1 General)</i>		BS EN 1154:1997 + A1:2002
5.2.2 Durability	500,000 test cycles	
5.2.3 Closing moment	Power size 2 - 5	
5.2.4 Opening moment	Power size 2 - 5	
5.2.5 Efficiency	Pass	
5.2.6 Closing time	Pass	
5.2.7 Angles of operation	Grade 3 for closing doors from 105 degrees	
5.2.8 Overload performance	Pass	
5.2.9 Temperature dependence	-15°C to +40°C	
5.2.10 Fluid leakage	Pass	
5.2.11 Damage	Pass	
5.2.12 Latch control	Pass	
5.2.13 Back check	Pass	
5.2.15 Adjustable closing force	Pass	

DECLARATION OF PERFORMANCE



<i>Durability of Self Closing</i>		BS EN 1154:1997 + A1:2002
5.2.2 Durability	500,000 test cycles – Grade 8	
5.2.17 Corrosion resistance	High corrosion resistance - Grade 3 (96 hours)	
Dangerous Substances	Pass: the materials in the door closer do not contain or release any dangerous substances in excess of the maximum levels specified in existing European material standards or any national regulations (1)	

The performance of the product identified above is in conformity with the set of declared performance/s.

This declaration of performance is issued, in accordance with the Construction Products (Amendment etc) (EU Exit) Regulations, 2019 No. 465 & 2020 No.1359.

Signed for and on behalf of the manufacturer by:

A handwritten signature in black ink, appearing to read 'Kevin O'Reilly', written over a horizontal line.

Kevin O'Reilly
Technical Director

Dated 18-04-2024

DECLARATION OF PERFORMANCE



DoP-TS.9205-66P-UKCA

(TS.9205 Fig 66 Parallel Arm Pull Side)

- Unique identification code of the product / type:-
TS.9205 DA BC 2-4 variable power Surface Fixed Door Closer with Fig 66 Parallel Arm Fixing Position using large bracket PAB 1, with optional back check, delayed action and adjustable latch action, 180 degree maximum opening angle.
- **Re-order Code allowing identification of the construction product as required under Article 11(4) of CPR:**
11598, 11626, 11629, 11617, 11622, 11632, 11620, 11884, 11883, 11664, 11692, 11695, 11683, 11688, 11698, 11686, 11773, 11912, 11730, 11758, 11761, 11749, 11754, 11764, 11752, 11748, 12136, 11760, 12129, 12131, 12130, 12137, 11917, 12095, 11916, 12151, 11733, 11667, 11601
- Intended use:- For use on fire/smoke compartmentation doors, when fitted in accordance with the supplied fitting instructions and maintained to the manufacturers O&M Manual.
- Manufacturer:- Rutland UK, Unit 4, Holmewood Business Park, Chesterfield Road, Chesterfield, S42 5US, UK
- System or systems of assessment and verification of constancy of performance of the construction product as set out in CPR, Annex V :- System 1
- Harmonised Standard:- BS EN 1154:1997 + A1:2002
- Notified Body:- IFCC UK Conformity Assessment body No. 1720
- Certification No.:- 1720-CPR-0183
- Declared Performance:-

Conditioning: Parallel Arm Fixing Position (Fig 66) power size 2-5, with optional back check, delayed action and adjustable latch action, 180 degree maximum opening angle

Essential Characteristics	Performance	Harmonised Technical Specification
<i>Self-closing (5.2.1 General)</i>		BS EN 1154:1997 + A1:2002
5.2.2 Durability	500,000 test cycles	
5.2.3 Closing moment	Power size 2 - 4	
5.2.4 Opening moment	Power size 2 - 4	
5.2.5 Efficiency	Pass	
5.2.6 Closing time	Pass	
5.2.7 Angles of operation	Grade 4 for closing doors from 180 degrees	
5.2.8 Overload performance	Pass	
5.2.9 Temperature dependence	-15°C to +40°C	
5.2.10 Fluid leakage	Pass	
5.2.11 Damage	Pass	
5.2.12 Latch control	Pass	
5.2.13 Back check	Pass	
5.2.15 Adjustable closing force	Pass	

DECLARATION OF PERFORMANCE



<i>Durability of Self Closing</i>		BS EN 1154:1997 + A1:2002
5.2.2 Durability	500,000 test cycles – Grade 8	
5.2.17 Corrosion resistance	High corrosion resistance - Grade 3 (96 hours)	
Dangerous Substances	Pass: the materials in the door closer do not contain or release any dangerous substances in excess of the maximum levels specified in existing European material standards or any national regulations (1)	

The performance of the product identified above is in conformity with the set of declared performance/s.

This declaration of performance is issued, in accordance with the Construction Products (Amendment etc) (EU Exit) Regulations, 2019 No. 465 & 2020 No.1359.

Signed for and on behalf of the manufacturer by:

A handwritten signature in black ink, appearing to read 'Kevin O'Reilly', written over a horizontal line.

Kevin O'Reilly
Technical Director

Dated 18-04-2024

DECLARATION OF PERFORMANCE



DoP-TS.9205-1-UKCA



(TS.9205 Fig 1)

- Unique identification code of the product / type:-
TS.9205 DA BC 2-5 variable power Surface Fixed Door Closer with Fig 1 Standard Fixing Position, with optional back check, delayed action and adjustable latch action, 180 degree maximum opening angle.
- **Re-order Code allowing identification of the construction product as required under Article 11(4) of CPR:**
11598, 11626, 11629, 11617, 11622, 11632, 11620, 11884, 11883, 11664, 11692, 11695, 11683, 11688, 11698, 11686, 11773, 11912, 11730, 11758, 11761, 11749, 11754, 11764, 11752, 11748, 12136, 11760, 12129, 12131, 12130, 12137, 11917, 12095, 11916, 12151, 11733, 11667, 11601
- Intended use:- For use on fire/smoke compartmentation doors, when fitted in accordance with the supplied fitting instructions and maintained to the manufacturers O&M Manual.
- Manufacturer:- Rutland UK, Unit 4, Holmewood Business Park, Chesterfield Road, Chesterfield, S42 5US, UK
- System or systems of assessment and verification of constancy of performance of the construction product as set out in CPR, Annex V :- System 1
- Harmonised Standard:- BS EN 1154:1997 + A1:2002
- Notified Body:- IFCC UK Conformity Assessment body No. 1720
- Certification No.:- 1720-CPR-0183
- Declared Performance:-

Conditioning: Standard Position (Fig 1) power size 2-5, with optional back check, delayed action and adjustable latch action, 180 degree maximum opening angle

Essential Characteristics	Performance	Harmonised Technical Specification
<i>Self-closing (5.2.1 General)</i>		BS EN 1154:1997 + A1:2002
5.2.2 Durability	500,000 test cycles	
5.2.3 Closing moment	Power size 2 - 5	
5.2.4 Opening moment	Power size 2 - 5	
5.2.5 Efficiency	Pass	
5.2.6 Closing time	Pass	
5.2.7 Angles of operation	Grade 4 for closing doors from 180 degrees	
5.2.8 Overload performance	Pass	
5.2.9 Temperature dependence	-15°C to +40°C	
5.2.10 Fluid leakage	Pass	
5.2.11 Damage	Pass	
5.2.12 Latch control	Pass	
5.2.13 Back check	Pass	
5.2.15 Adjustable closing force	Pass	

DECLARATION OF PERFORMANCE



<i>Durability of Self Closing</i>		BS EN 1154:1997 + A1:2002
5.2.2 Durability	500,000 test cycles – Grade 8	
5.2.17 Corrosion resistance	High corrosion resistance - Grade 3 (96 hours)	
Dangerous Substances	Pass: the materials in the door closer do not contain or release any dangerous substances in excess of the maximum levels specified in existing European material standards or any national regulations (1)	

The performance of the product identified above is in conformity with the set of declared performance/s.

This declaration of performance is issued, in accordance with the Construction Products (Amendment etc) (EU Exit) Regulations, 2019 No. 465 & 2020 No.1359.

Signed for and on behalf of the manufacturer by:

A handwritten signature in black ink, appearing to read 'K O'Reilly', written over a horizontal line.

Kevin O'Reilly
Technical Director

Dated 18-04-2024

SECURED BY DESIGN LICENCE HOLDER

THIS IS TO CERTIFY THAT

Rutland Trading Co Limited

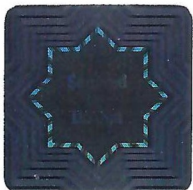
OF

Whittington Way, Chesterfield, Derbyshire, S41 9AG, United Kingdom

HOLDS A SECURED BY DESIGN LICENCE
VALID IN CONJUNCTION WITH THE CURRENT SCHEDULE UNTIL

14th February 2025

PLEASE REFER TO [HTTPS://WWW.SECUREDBYDESIGN.COM/MEMBER-COMPANIES/SBD-MEMBERS](https://www.securedbydesign.com/member-companies/sbd-members)
FOR THE CURRENT SCHEDULE INFORMATION



G. Ferguson

GUY FERGUSON
CEO, POLICE CRIME PREVENTION INITIATIVES LIMITED

DATE

15th February 2024

Secured by Design



Official Police Security Initiative



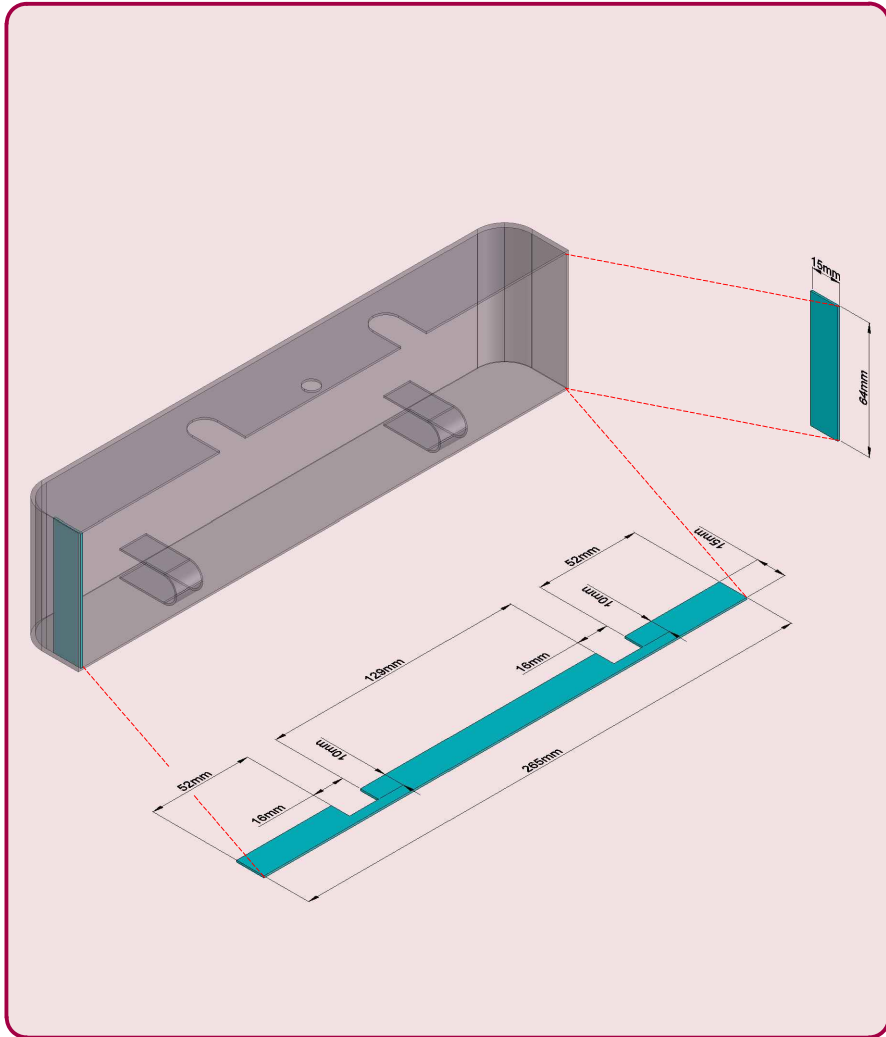
IP.95M

TS.9205 COVER INTUMESCENT KIT FOR
UNINSULATED STEEL DOORS



060319

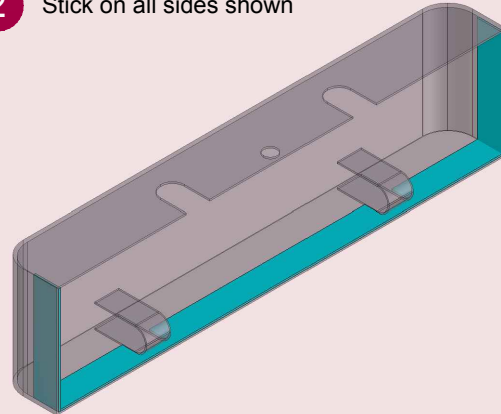
www.rutlanduk.co.uk



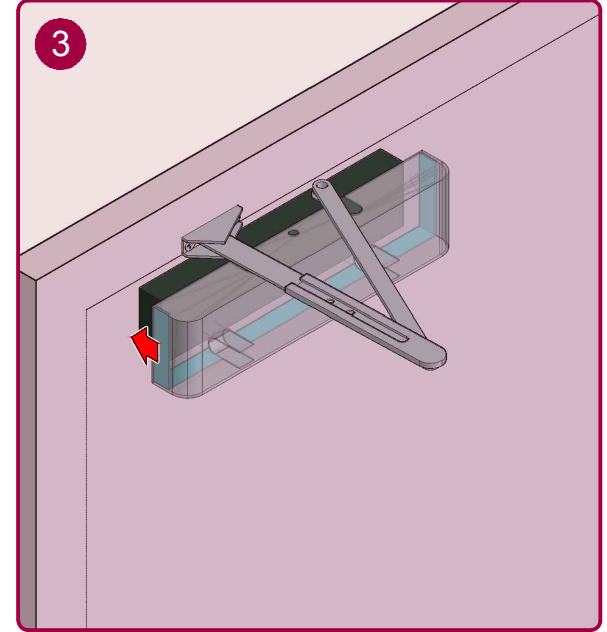
1 Remove self adhesive backing.



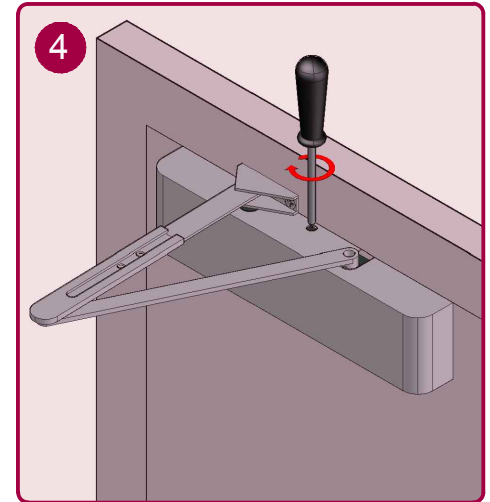
2 Stick on all sides shown



3



4





Standard Arm Closer TS9205

TEL: +44 (0) 1246 261 491 | www.rutlanduk.co.uk

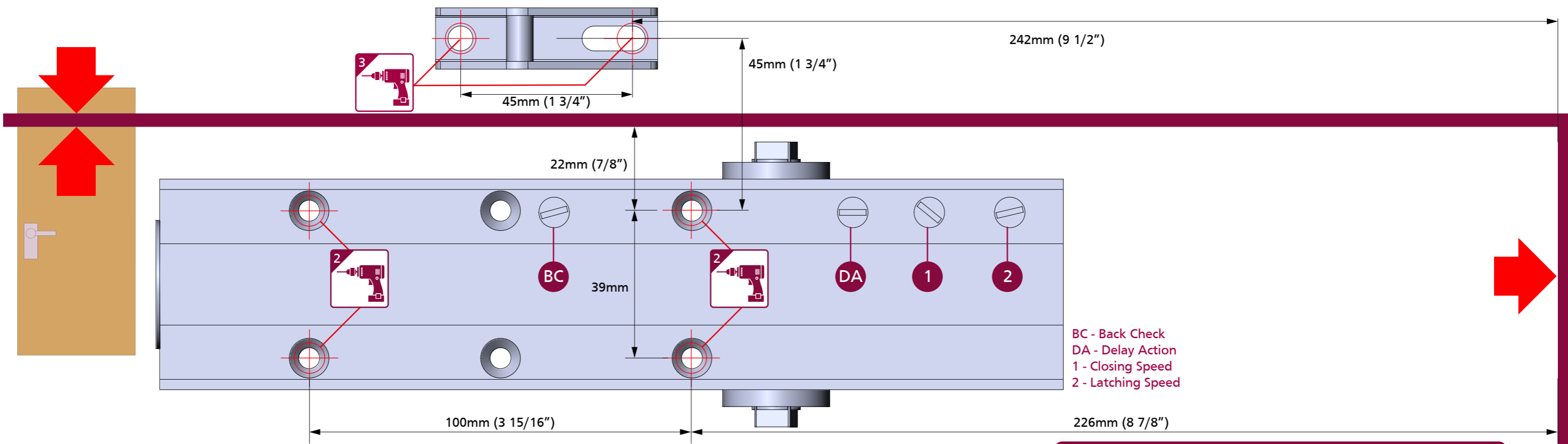


Operations and Maintenance Manual



BS EN 1154

4	8	2	1	1	3
3	8	5	1	1	3



EN 2-5 Power Size

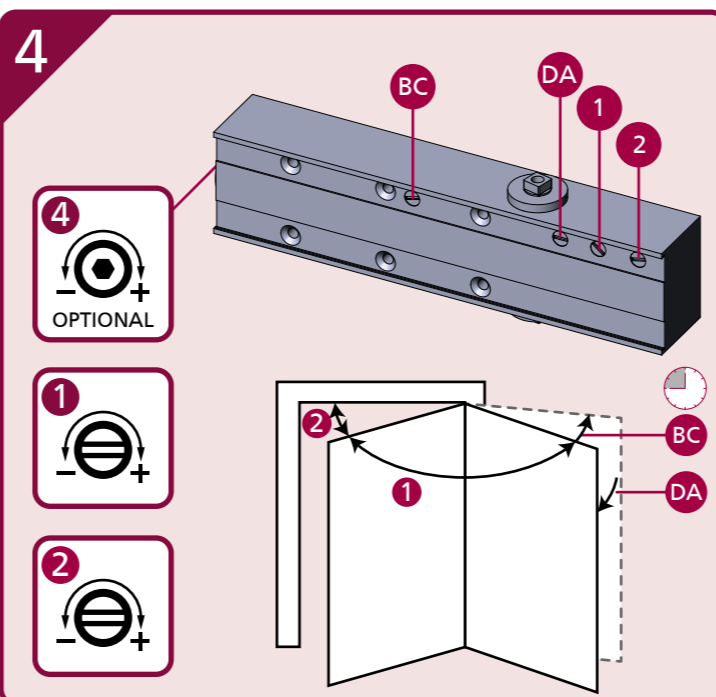
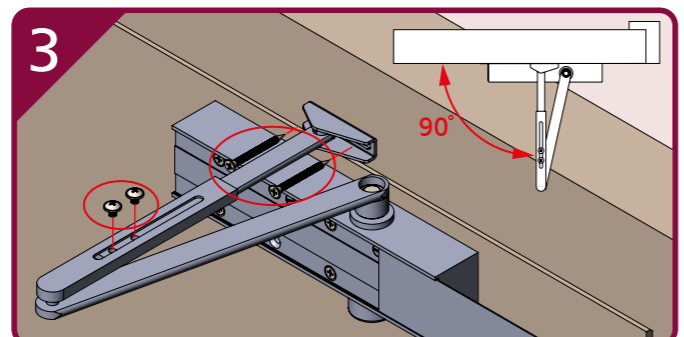
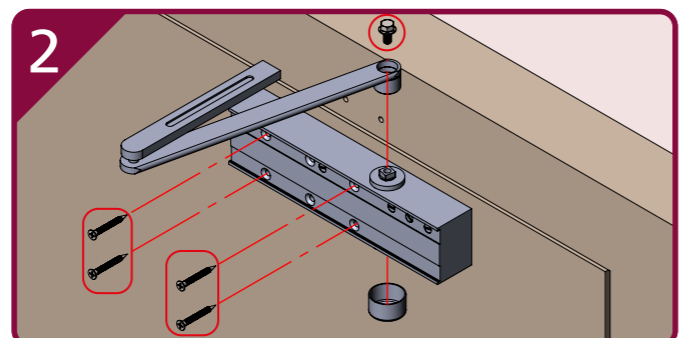
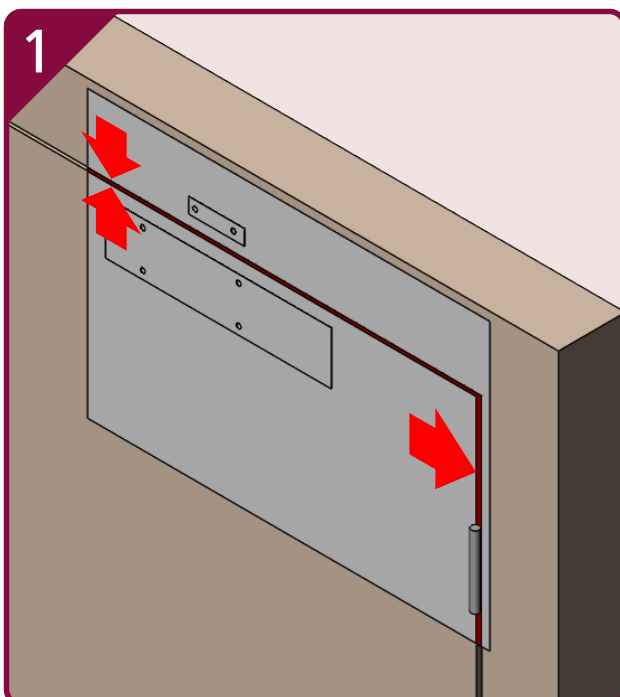
No of turns	EN Size	Max door width	Open Angle
-5	2	850mm	180°
*0	3	950mm	180°
+5	4	1100mm	180°
+9	5	1250mm	110°

*FACTORY PRE-SET

IMPORTANT NOTES:
 DELAYED ACTION & BACK CHECK (DABC) VALVES ARE NOT STANDARD, THESE ARE OPTIONAL.
 FOR UNINSULATED STEEL DOORS IP.95M MUST BE USED.
 THE PINION BOLT MUST BE TIGHTENED TO 12Nm.

A MECHANICAL DOOR CLOSER IS NOT DESIGNED TO OVERCOME POOR FITTING, EXCESSIVE AIR PRESSURES OR BINDING SMOKE AND WEATHER SEALS. EXCESSIVE AIR PRESSURES CAN BE CREATED BY THROUGH DRAFT, BY AIR CONDITIONING, BY SMALL ROOMS WITHOUT VENTILATION, OR WHERE NO AIR TRANSFERS GRILLS ARE FITTED. MECHANICAL DOOR CLOSERS ARE DESIGNED TO CLOSE THE STATED AND TESTED SPECIFICATION OF DOOR WEIGHT AND DOORSETS/DOOR ASSEMBLIES WHEN DOORS ARE FITTED WITH CORRECT GAPS AND NOT BINDING ON SEALS. IF YOU ENCOUNTER PROBLEMS WITH DOORS NOT CLOSING PLEASE WATCH OUR "6 WAYS TO TROUBLE-SHOOT A DOOR CLOSER" VIDEO ONLINE. WHERE DOORS ARE NOT CLOSING DUE TO AIR PRESSURES THEN PROFESSIONAL ADVICE FROM AN AUTHORISED INSTALLER IS RECOMMENDED TO FIT TESTED AND THIRD PARTY CERTIFIED AIR TRANSFER GRILLS AND/OR AUTOMATIC DOOR OPERATORS.
 NOTE: BC VALVES ARE DESIGNED TO ASSIST BACK-CHECK AND DO NOT REPLACE THE REQUIREMENT FOR CORRECTLY FITTED DOORSTOPS OR SAFETY BARRIERS.

FURTHER WARRANTY INFORMATION: <https://www.rutlanduk.co.uk/rutland-warranty>





Standard Arm Closer TS9205

TEL: +44 (0) 1246 261 491 | www.rutlanduk.co.uk

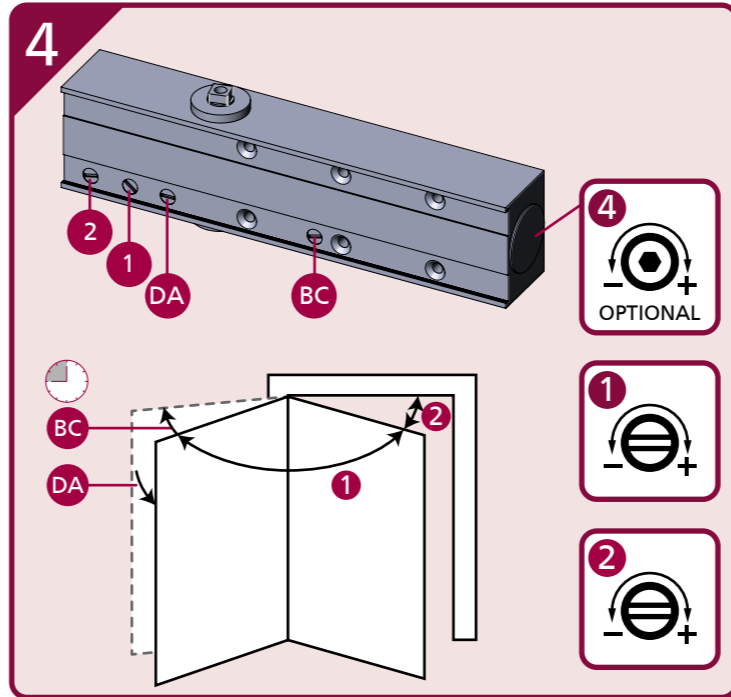
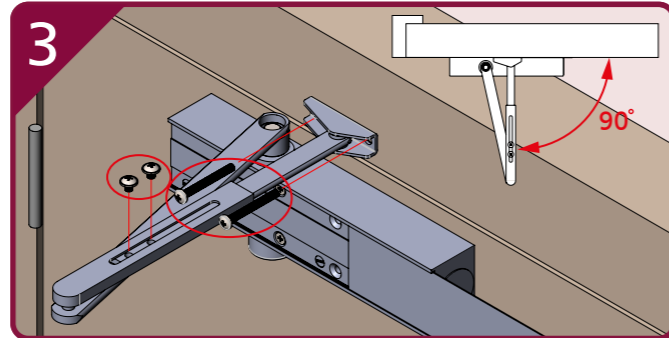
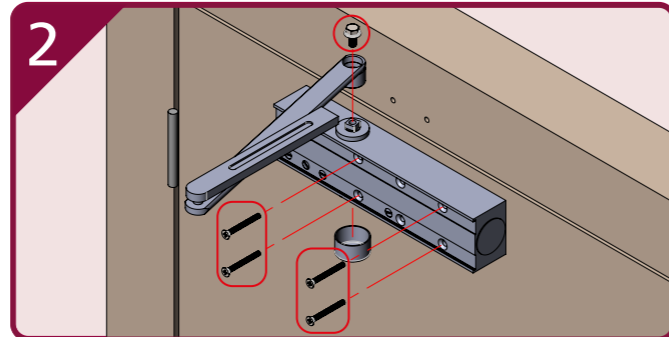
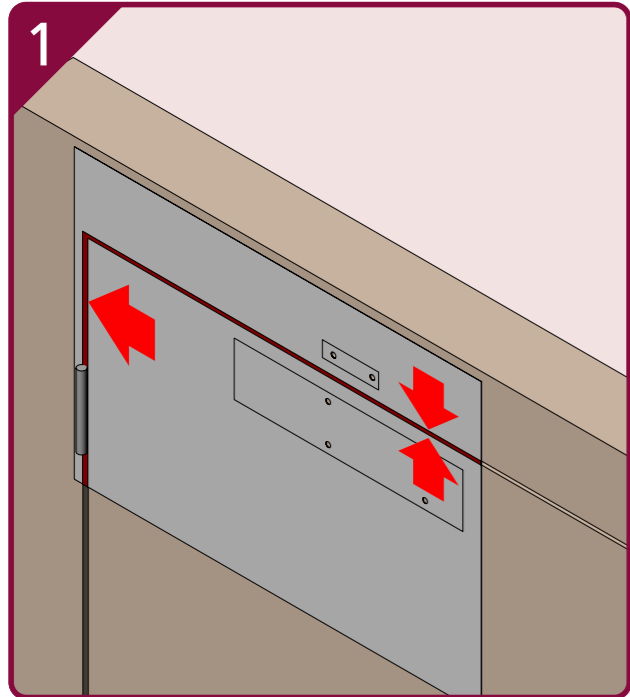
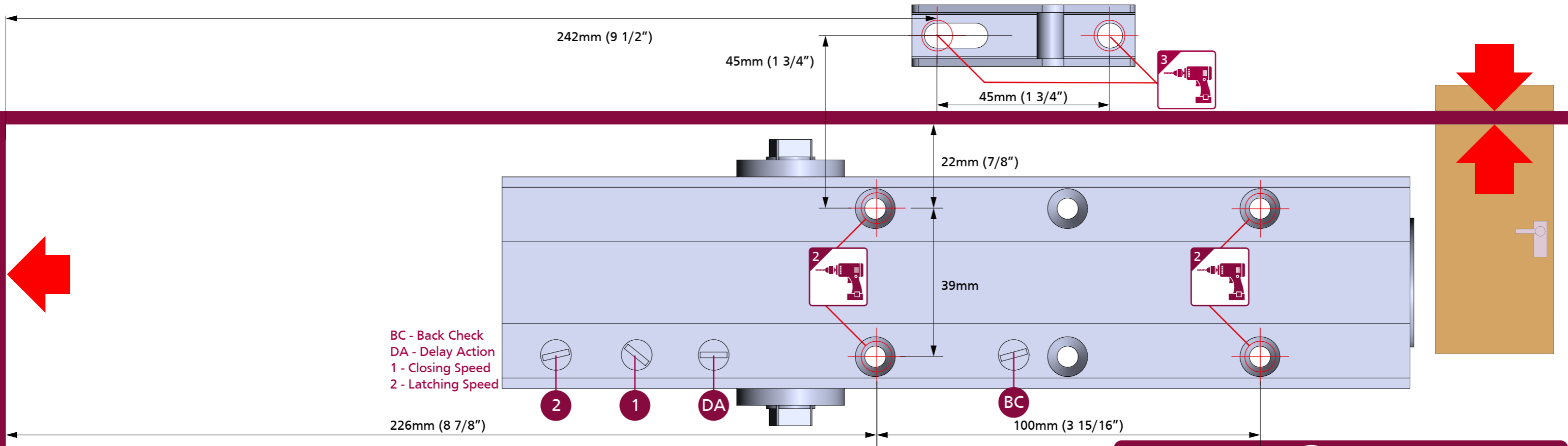


Operations and Maintenance Manual



BS EN 1154

4	8	2	1	1	3
3	8	5	1	1	3



EN 2-5 Power Size

No of turns	EN Size	Max door width	Open Angle
-5	2	850mm	180°
*0	3	950mm	180°
+5	4	1100mm	180°
+9	5	1250mm	110°

*FACTORY PRE-SET

IMPORTANT NOTES:
 DELAYED ACTION & BACK CHECK (DABC) VALVES ARE NOT STANDARD, THESE ARE OPTIONAL.
 FOR UNINSULATED STEEL DOORS IP.95M MUST BE USED.
 THE PINION BOLT MUST BE TIGHTENED TO 12Nm.

A MECHANICAL DOOR CLOSER IS NOT DESIGNED TO OVERCOME POOR FITTING, EXCESSIVE AIR PRESSURES OR BINDING SMOKE AND WEATHER SEALS. EXCESSIVE AIR PRESSURES CAN BE CREATED BY THROUGH DRAFT, BY AIR CONDITIONING, BY SMALL ROOMS WITHOUT VENTILATION, OR WHERE NO AIR TRANSFERS GRILLS ARE FITTED. MECHANICAL DOOR CLOSERS ARE DESIGNED TO CLOSE THE STATED AND TESTED SPECIFICATION OF DOOR WEIGHT AND DOORSETS/DOOR ASSEMBLIES WHEN DOORS ARE FITTED WITH CORRECT GAPS AND NOT BINDING ON SEALS. IF YOU ENCOUNTER PROBLEMS WITH DOORS NOT CLOSING PLEASE WATCH OUR "6 WAYS TO TROUBLESHOOT A DOOR CLOSER" VIDEO ONLINE. WHERE DOORS ARE NOT CLOSING DUE TO AIR PRESSURES THEN PROFESSIONAL ADVICE FROM AN AUTHORISED INSTALLER IS RECOMMENDED TO FIT TESTED AND THIRD PARTY CERTIFIED AIR TRANSFER GRILLS AND/OR AUTOMATIC DOOR OPERATORS.
 NOTE: BC VALVES ARE DESIGNED TO ASSIST BACK-CHECK AND DO NOT REPLACE THE REQUIREMENT FOR CORRECTLY FITTED DOORSTOPS OR SAFETY BARRIERS.

FURTHER WARRANTY INFORMATION: <https://www.rutlanduk.co.uk/rutland-warranty>



Parallel Arm Closer TS9205

TEL: +44 (0) 1246 261 491 | www.rutlanduk.co.uk



Operations and Maintenance Manual



35 YEARS WARRANTY

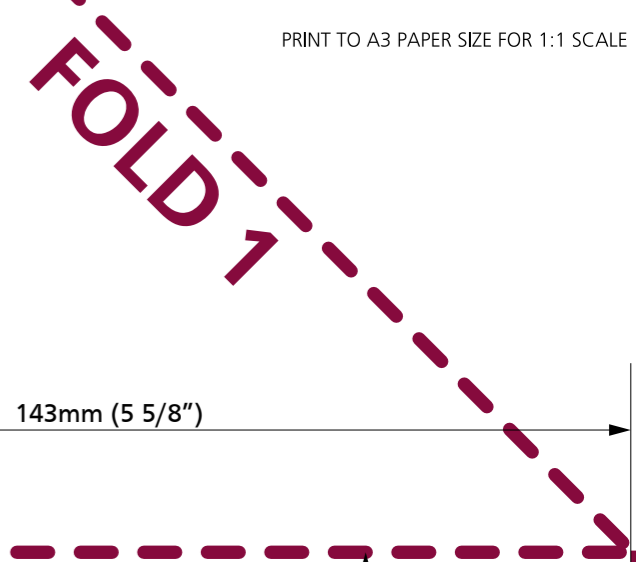


1250mm Max door width

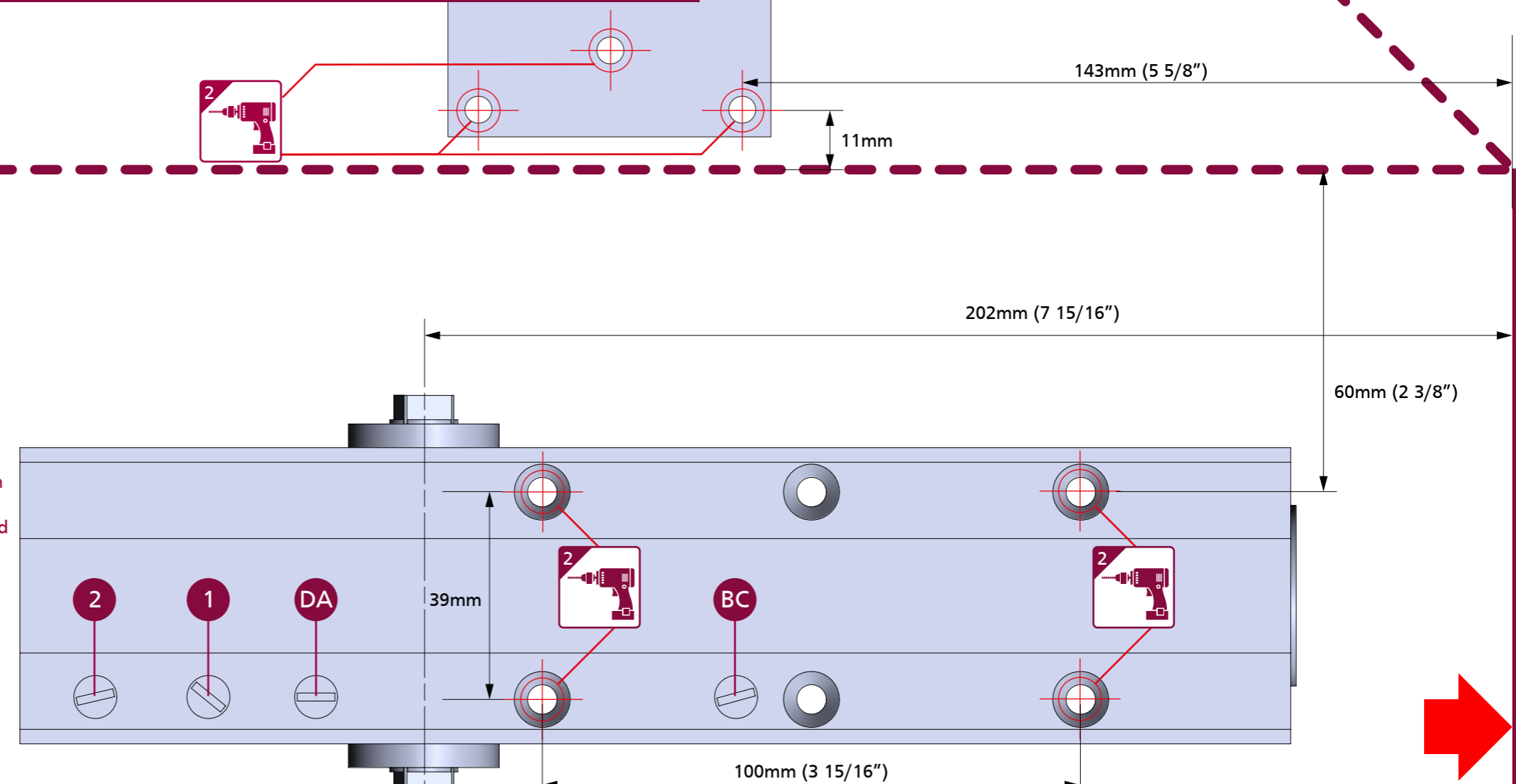


110Kg Max door weight

CE	UK CA				
1812	1720				
BS EN 1154					
4	8	2	1	1	3
3	8	5	1	1	3



FOLD 2



BC - Back Check
DA - Delay Action
1 - Closing Speed
2 - Latching Speed

EN 2-5 Power Size

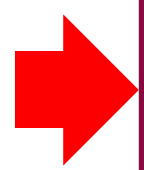
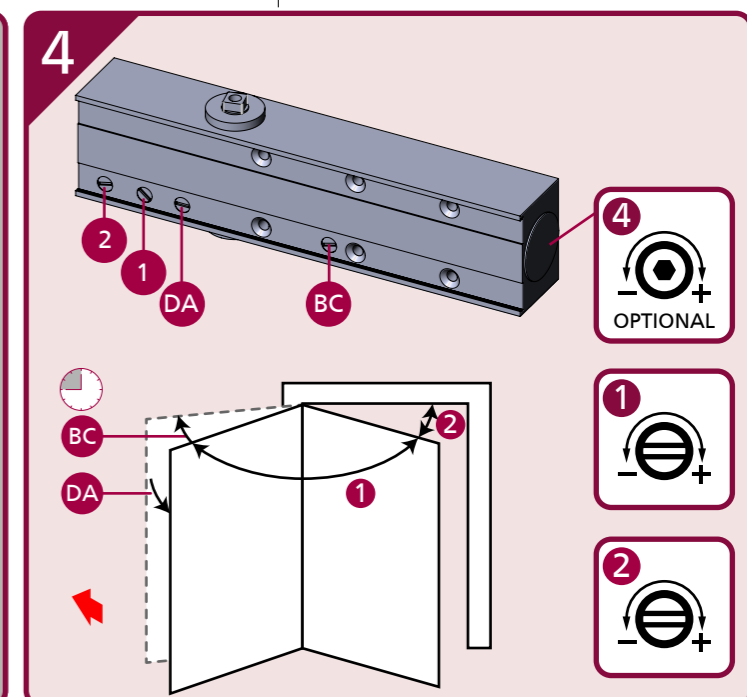
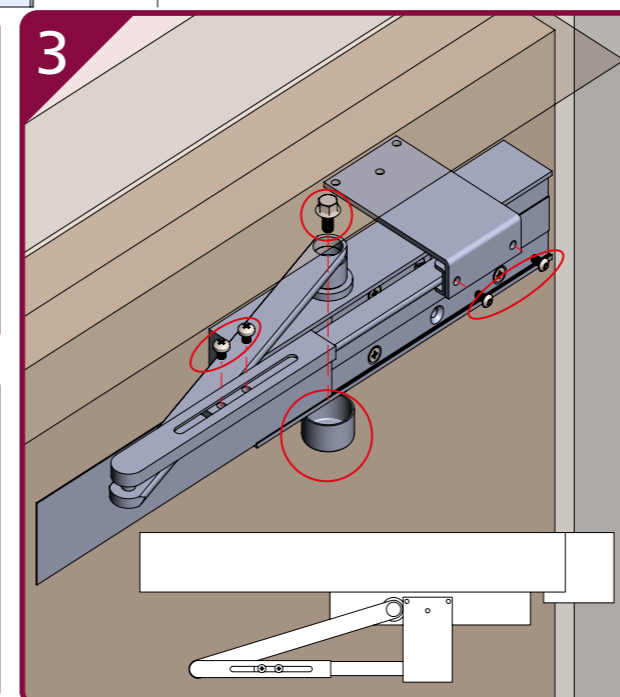
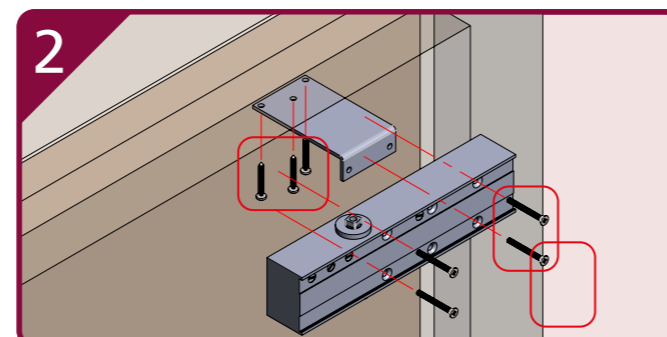
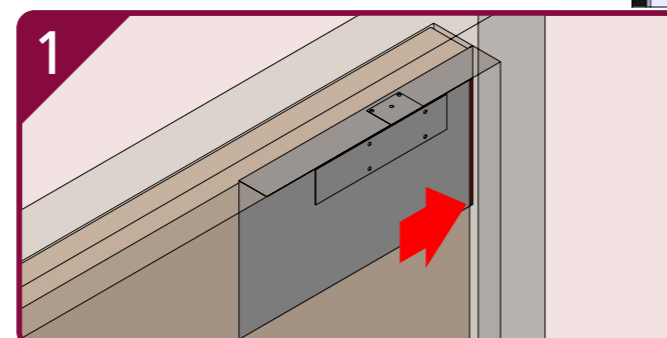
No of turns	EN Size	Max door width	Open Angle
-5	2	850mm	180°
*0	3	950mm	180°
+5	4	1100mm	180°
+9	5	1250mm	110°

*FACTORY PRE-SET

IMPORTANT NOTES:
DELAYED ACTION & BACK CHECK (DABC) VALVES ARE NOT STANDARD, THESE ARE OPTIONAL.
FOR UNINSULATED STEEL DOORS IP.95M MUST BE USED.
THE PINION BOLT MUST BE TIGHTENED TO 12Nm.

A MECHANICAL DOOR CLOSER IS NOT DESIGNED TO OVERCOME POOR FITTING, EXCESSIVE AIR PRESSURES OR BINDING SMOKE AND WEATHER SEALS. EXCESSIVE AIR PRESSURES CAN BE CREATED BY THROUGH DRAFT, BY AIR CONDITIONING, BY SMALL ROOMS WITHOUT VENTILATION, OR WHERE NO AIR TRANSFERS GRILLS ARE FITTED. MECHANICAL DOOR CLOSERS ARE DESIGNED TO CLOSE THE STATED AND TESTED SPECIFICATION OF DOOR WEIGHT AND DOORSETS/DOOR ASSEMBLIES WHEN DOORS ARE FITTED WITH CORRECT GAPS AND NOT BINDING ON SEALS. IF YOU ENCOUNTER PROBLEMS WITH DOORS NOT CLOSING PLEASE WATCH OUR "6 WAYS TO TROUBLE-SHOOT A DOOR CLOSER" VIDEO ONLINE. WHERE DOORS ARE NOT CLOSING DUE TO AIR PRESSURES THEN PROFESSIONAL ADVICE FROM AN AUTHORISED INSTALLER IS RECOMMENDED TO FIT TESTED AND THIRD PARTY CERTIFIED AIR TRANSFER GRILLS AND/OR AUTOMATIC DOOR OPERATORS.
NOTE: BC VALVES ARE DESIGNED TO ASSIST BACK-CHECK AND DO NOT REPLACE THE REQUIREMENT FOR CORRECTLY FITTED DOORSTOPS OR SAFETY BARRIERS.

FURTHER WARRANTY INFORMATION: <https://www.rutlanduk.co.uk/rutland-warranty>



FOLD 1



Parallel Arm Closer TS9205

TEL: +44 (0) 1246 261 491 | www.rutlanduk.co.uk



Operations and Maintenance Manual



3rd Party Certification



180° Open Angle



Two-Stage Speed Regulation



1812 1720



35 YEARS WARRANTY



1250mm Max door width

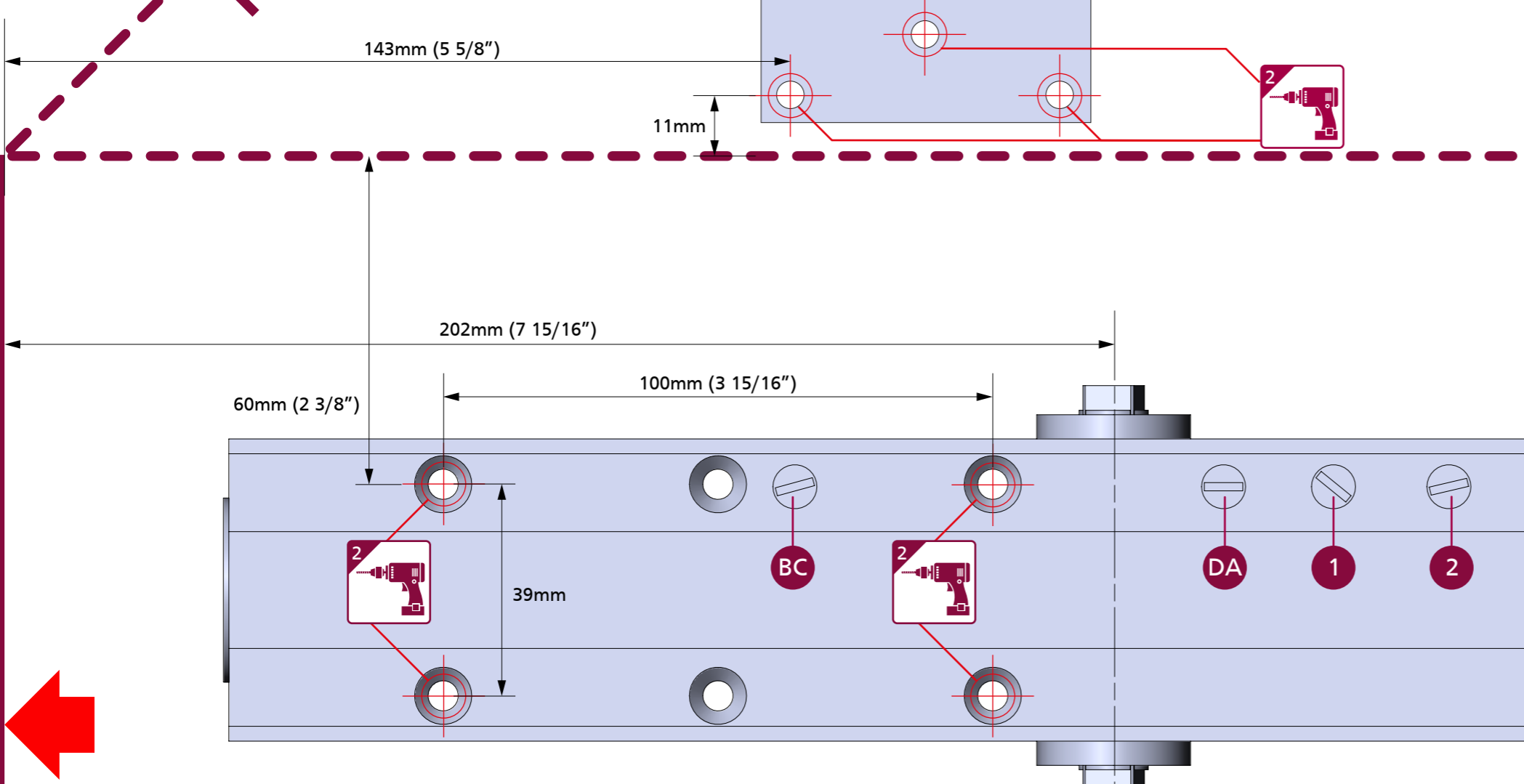


110Kg Max door weight

BS EN 1154

4	8	2	1	1	3
3	8	5	1	1	3

FOLD 2



BC - Back Check
DA - Delay Action
1 - Closing Speed
2 - Latching Speed

EN 2-5 Power Size

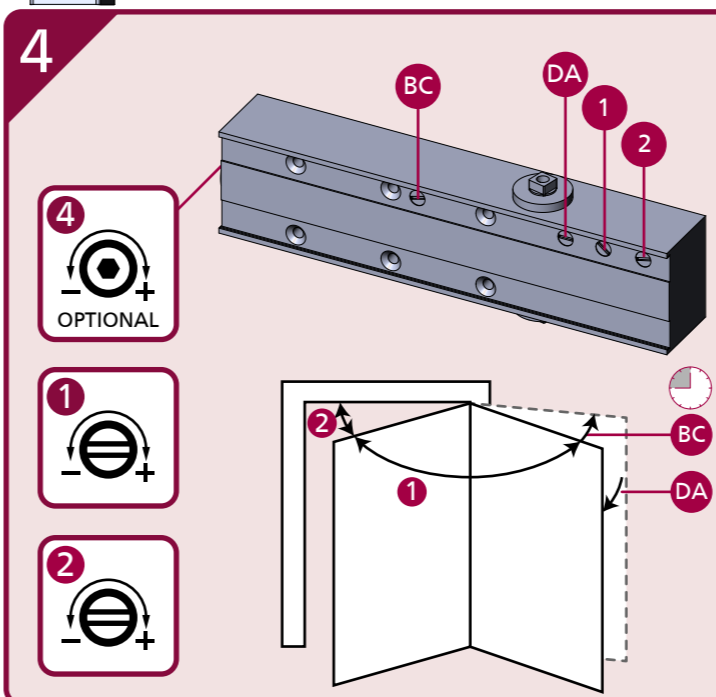
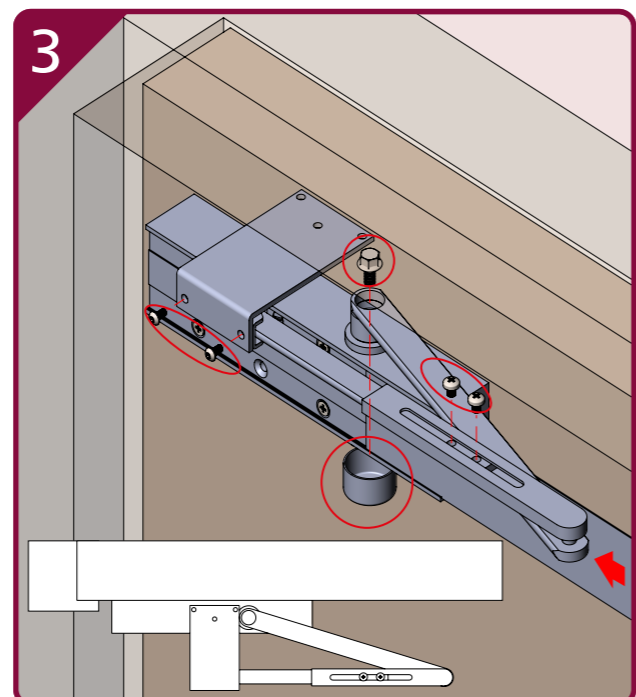
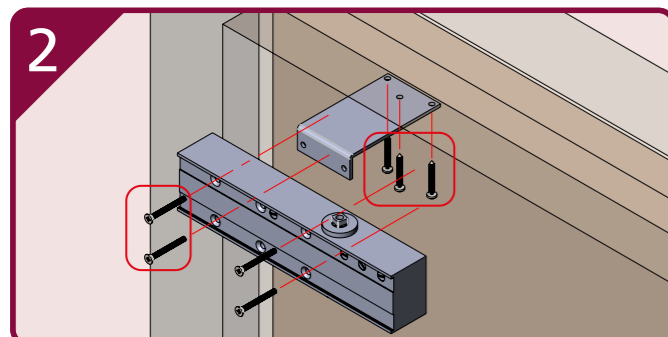
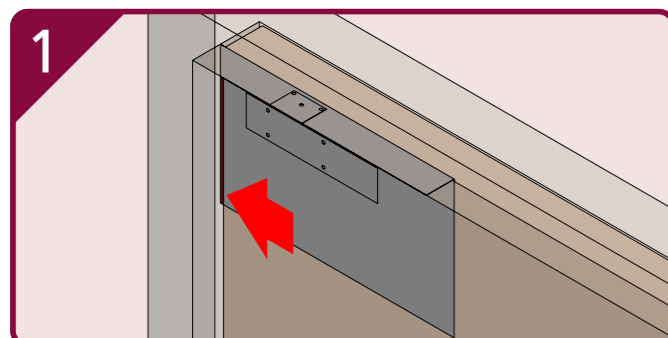
No of turns	EN Size	Max door width	Open Angle
-5	2	850mm	180°
*0	3	950mm	180°
+5	4	1100mm	180°
+9	5	1250mm	110°

*FACTORY PRE-SET

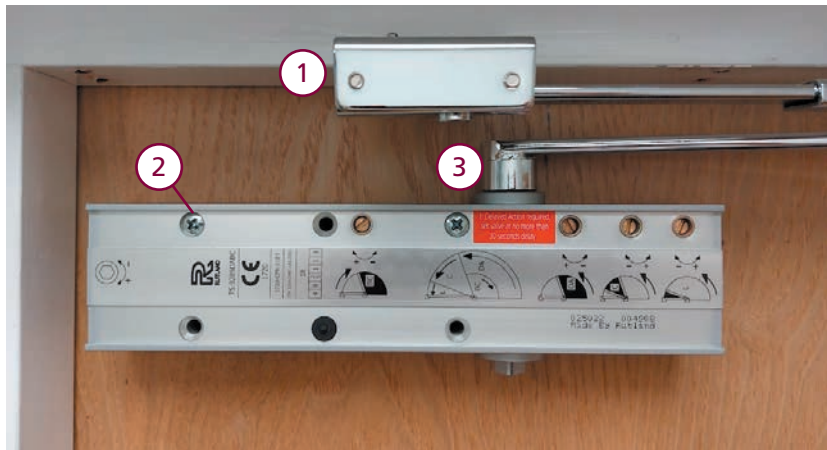
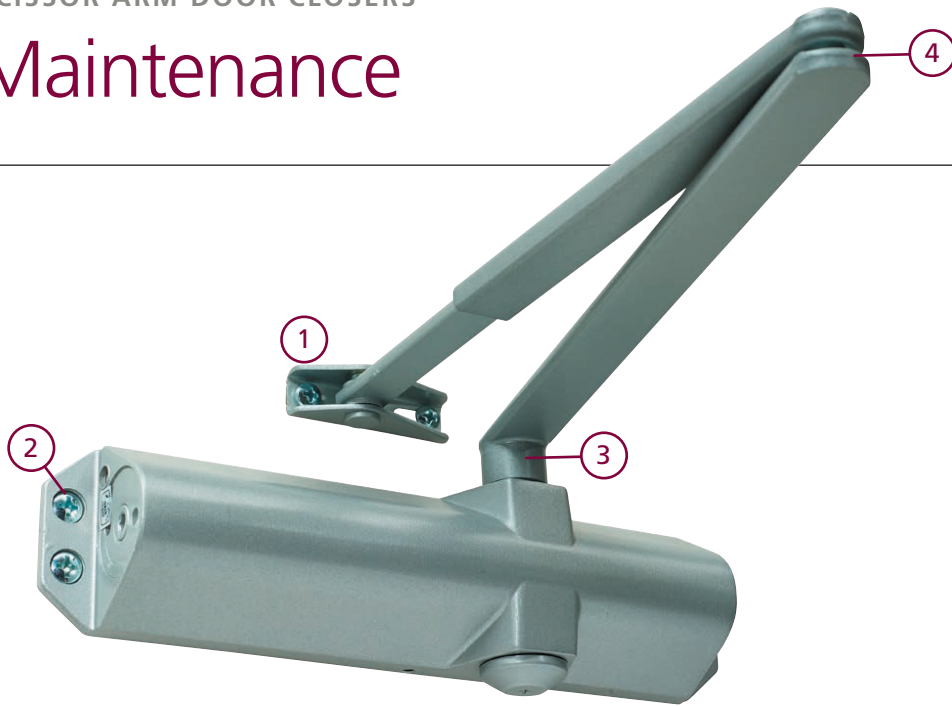
IMPORTANT NOTES:
DELAYED ACTION & BACK CHECK (DABC) VALVES ARE NOT STANDARD, THESE ARE OPTIONAL.
FOR UNINSULATED STEEL DOORS IP.95M MUST BE USED.
THE PINION BOLT MUST BE TIGHTENED TO 12Nm.

A MECHANICAL DOOR CLOSER IS NOT DESIGNED TO OVERCOME POOR FITTING, EXCESSIVE AIR PRESSURES OR BINDING SMOKE AND WEATHER SEALS. EXCESSIVE AIR PRESSURES CAN BE CREATED BY THROUGH DRAFT, BY AIR CONDITIONING, BY SMALL ROOMS WITHOUT VENTILATION, OR WHERE NO AIR TRANSFERS GRILLS ARE FITTED. MECHANICAL DOOR CLOSERS ARE DESIGNED TO CLOSE THE STATED AND TESTED SPECIFICATION OF DOOR WEIGHT AND DOORSETS/DOOR ASSEMBLIES WHEN DOORS ARE FITTED WITH CORRECT GAPS AND NOT BINDING ON SEALS. IF YOU ENCOUNTER PROBLEMS WITH DOORS NOT CLOSING PLEASE WATCH OUR "6 WAYS TO TROUBLE-SHOOT A DOOR CLOSER" VIDEO ONLINE. WHERE DOORS ARE NOT CLOSING DUE TO AIR PRESSURES THEN PROFESSIONAL ADVICE FROM AN AUTHORISED INSTALLER IS RECOMMENDED TO FIT TESTED AND THIRD PARTY CERTIFIED AIR TRANSFER GRILLS AND/OR AUTOMATIC DOOR OPERATORS.
NOTE: BC VALVES ARE DESIGNED TO ASSIST BACK-CHECK AND DO NOT REPLACE THE REQUIREMENT FOR CORRECTLY FITTED DOORSTOPS OR SAFETY BARRIERS.

FURTHER WARRANTY INFORMATION: <https://www.rutlanduk.co.uk/rutland-warranty>



Maintenance



Step 1

Check that screws are tight (No.1 & No.2), and tighten if needed, at least every 6 months.

Step 2

Tighten pinion bolt (No. 3) to 12nm, at least every 6 months

Step 3

Lubricate all moving parts, e.g. the Knuckle (No.4), at least every 6 months.

*For high usage closers, this steps will need to be carried out more often than every 6 months.

Any unusual sounds or visual defects should be addressed immediately



Before adjusting any valves ensure the door and frame are fixed firmly and the door will close easily into the frame and latch.

- To increase the speed of a door turn the valve 1 (No.5) Anti-clockwise. If door closing too fast turn the valve 1 Clockwise to reduce the speed to a satisfactory movement.
- When the door is latching too fast adjust the valve 2 (No. 6) to the desired satisfactory action. Turn Clockwise to reduce the speed.
- If the latch is getting stuck, turn Valve 2 anti-clockwise to increase the speed but not too fast so that it slams.
- If more power is needed to overcome the latch or Intumescent seal you can increase the power by turning the power adjustment function (No. 7) with an allen key.
- If the door is too easy to open or affected by wind or air pressure, turn Clockwise to increase the power.
- If the door is stiff to open you can turn Anti-clockwise to decrease the power.

Back Check + Delayed Action on Scissor Arm closers

- If the closer has a back check valve (No. 8), this can be used to slow down the opening speed of the door. Turn the valve clockwise with a screwdriver to increase the Back Check facility.
- If the closer has a delayed action valve (No. 9), this can be used to delay the closing speed of the door. Turn the valve clockwise if more time is required or turn the valve anti-clockwise if less time is required.

IMPORTANT – Back Check and Delayed Action are not designed to work at the same time as each other, this means choosing the function most relevant to the situation



Before adjusting any valves ensure the door and frame are fixed firmly and the door will close easily into the frame and latch.

- To increase the speed of a door turn the valve 1 (No.5) Anti-clockwise. If door closing too fast turn the valve 1 Clockwise to reduce the speed to a satisfactory movement.
- When the door is latching too fast adjust the valve 2 (No. 6) to the desired satisfactory action. Turn Clockwise to reduce the speed.
- If the latch is getting stuck, turn Valve 2 anti-clockwise to increase the speed but not too fast so that it slams.
- If more power is needed to overcome the latch or Intumescent seal you can increase the power by turning the power adjustment function (No. 7) with an allen key.
- If the door is too easy to open or affected by wind or air pressure, turn Clockwise to increase the power.
- If the door is stiff to open you can turn Anti-clockwise to decrease the power.

Back Check + Delayed Action on Scissor Arm closers

- If the closer has a back check valve (No. 8), this can be used to slow down the opening speed of the door. Turn the valve clockwise with a screwdriver to increase the Back Check facility.
- If the closer has a delayed action valve (No. 9), this can be used to delay the closing speed of the door. Turn the valve clockwise if more time is required or turn the valve anti-clockwise if less time is required.

IMPORTANT – Back Check and Delayed Action are not designed to work at the same time as each other, this means choosing the function most relevant to the situation.



SCISSOR ARM DOOR CLOSERS

Back Check and Delayed Action

Rutland Back Check and Delayed Action door closers are the same as other closers, however with extra valves.

BC Valves

- BC valves are for the restraining of the door on the opening cycle, so it doesn't hit a wall or furniture behind the door.

DA Valves

- DA door closers are for giving the elderly, the infirm or children a little extra time when walking through the door way. Both valves can be altered to a greater or lesser degree as required.

Useful Videos

Scan the qr codes to view the latest helpful videos

Door closer valves



6 ways to trouble shoot a Door Closer



Enhancing life safety at every fire door

Through our expert advice and support, we provide the peace of mind that full compliance is achieved and that life safety is assured.



Head Office:

Rutland Trading Co Ltd.
Unit 4, Holmewood Business Park
Chesterfield Road, Holmewood
Chesterfield, S42 5US

Contact us:

+44 (0)1246 261491
sales@rutlanduk.co.uk
rutlanduk.co.uk