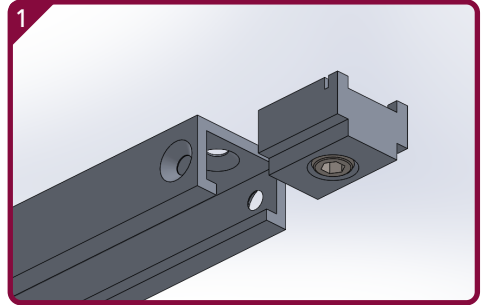
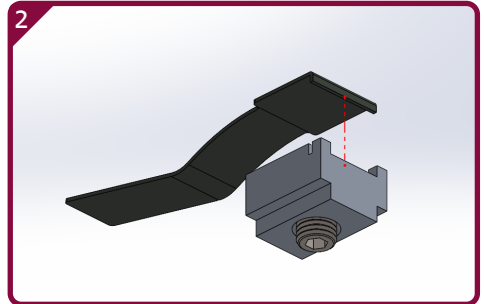


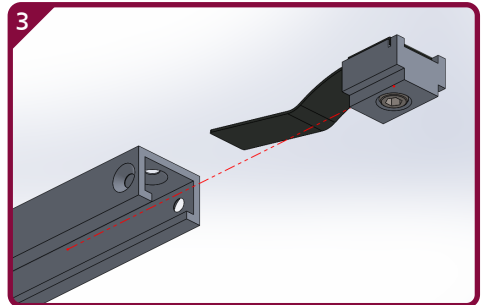
1. Release the Slide Arm Stop Block (SA.1.BLOCK) with Allen key and take the block from end of the rail



2. Put the Slide Arm Hold-Open device (SA.HO) into the slot on the top of the block.



3. Slide the block with hold open clip back into the slide rail. The hold open device should be on handle side. Then tighten the block at desired angle of hold open with allen key



Product Code

SA.HO

SA.1.BLOCK

Reorder Code

11251

11236

Additional Information

This product is not for use on fire doors

Maintenance - Use a moist cloth only, as household abrasives or solvents may affect surface finish - lubrication may occasionally be required.

Suitable for Rutland TS.11204, TS.11205, ITS.11204, ITS.11205