



# Slide Arm Closer - Push side TS24

TEL: +44 (0) 1246 261 491 | www.rutlanduk.co.uk



Operations and Maintenance Manual



10 YEARS WARRANTY



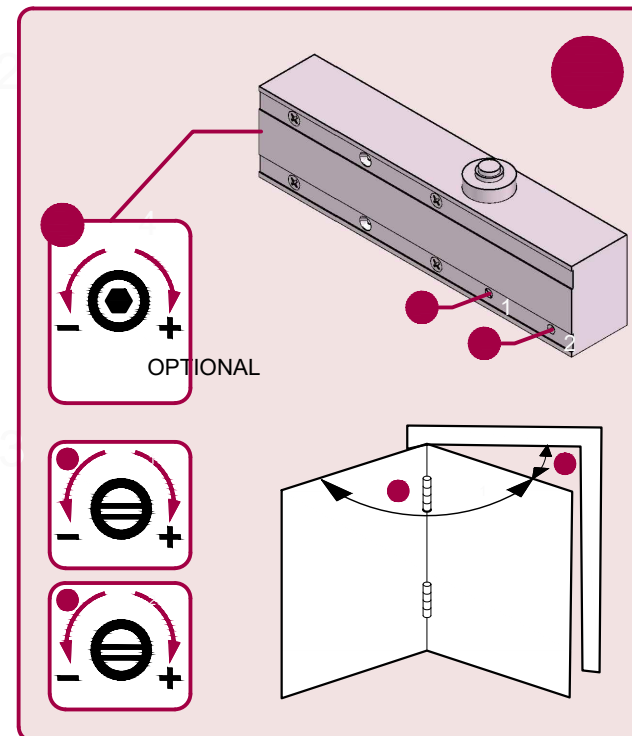
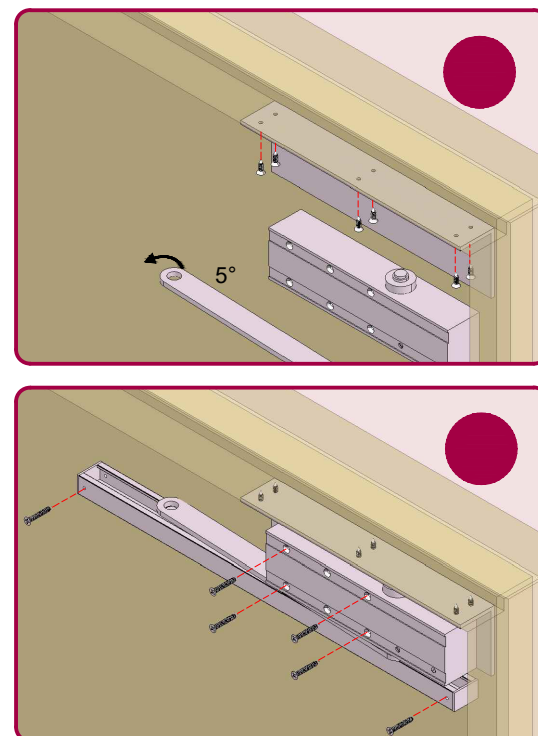
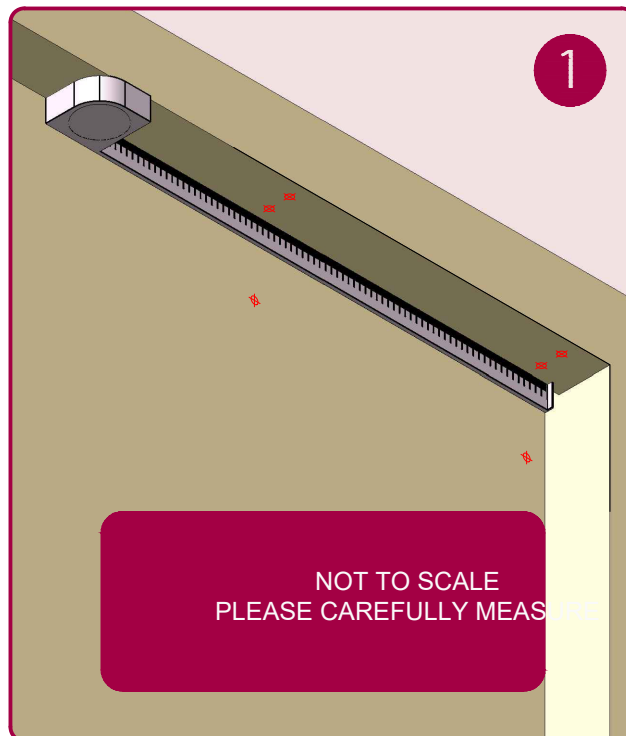
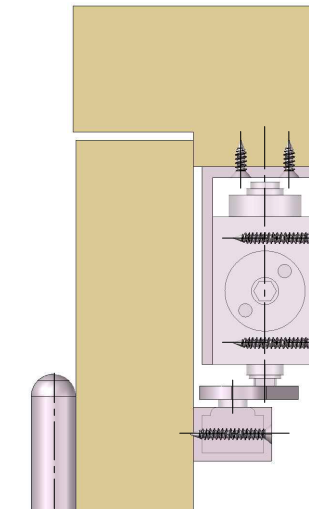
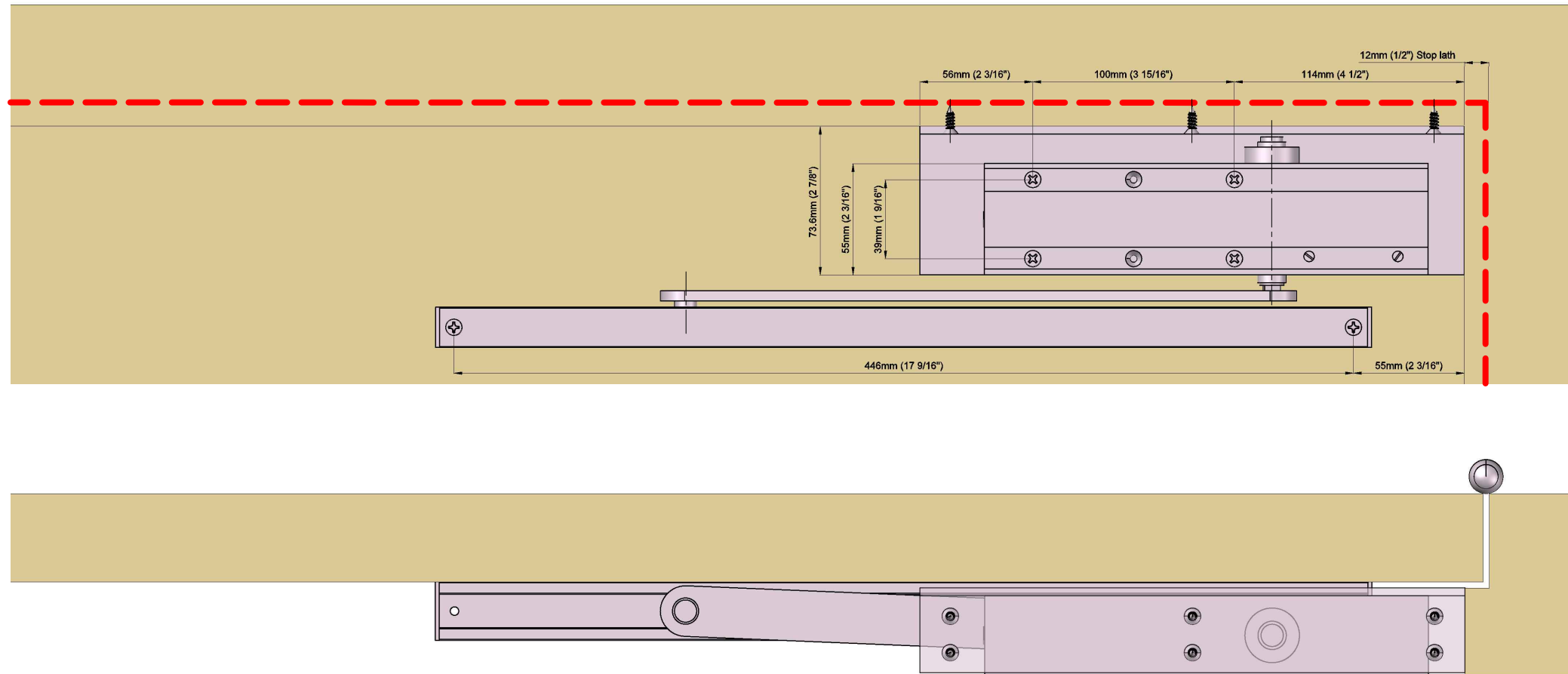
1100mm Max door width



80Kg Max door weight



1812 1720  
BS EN 1154  
4 8 2 4 1 1 3



Size 2-4 Power Adjustment

No. of turns	Size	Max. door width	Max. opening angle	Max weight
-4	2	850mm	120°	45kg
*0	3	950mm	120°	60kg
+6	4	1100mm	120°	80kg

\* FACTORY PRE-SET  
■ NOT SUITABLE FOR FIRE DOORS



# Slide Arm Closer - Push side TS24

TEL: +44 (0) 1246 261 491 | www.rutlanduk.co.uk



Operations and Maintenance Manual



10 YEARS WARRANTY



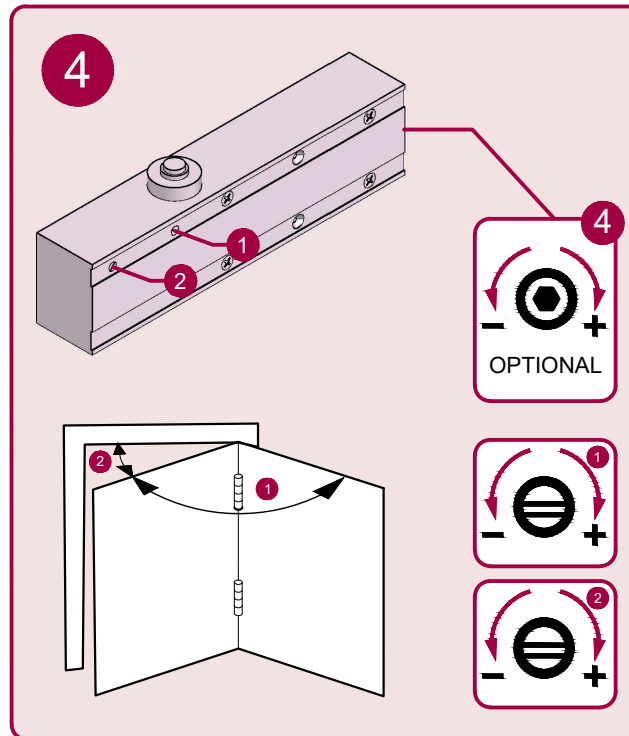
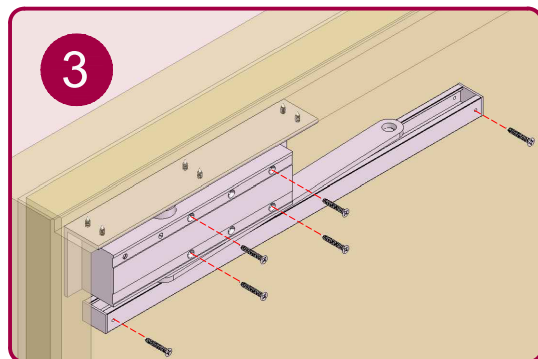
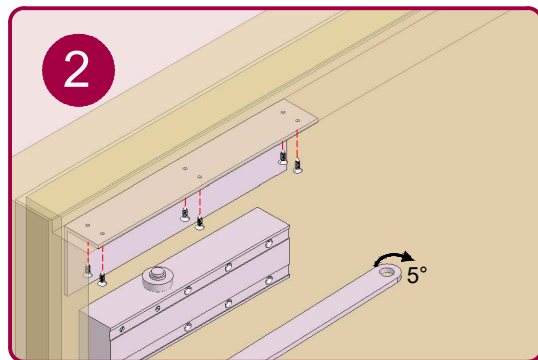
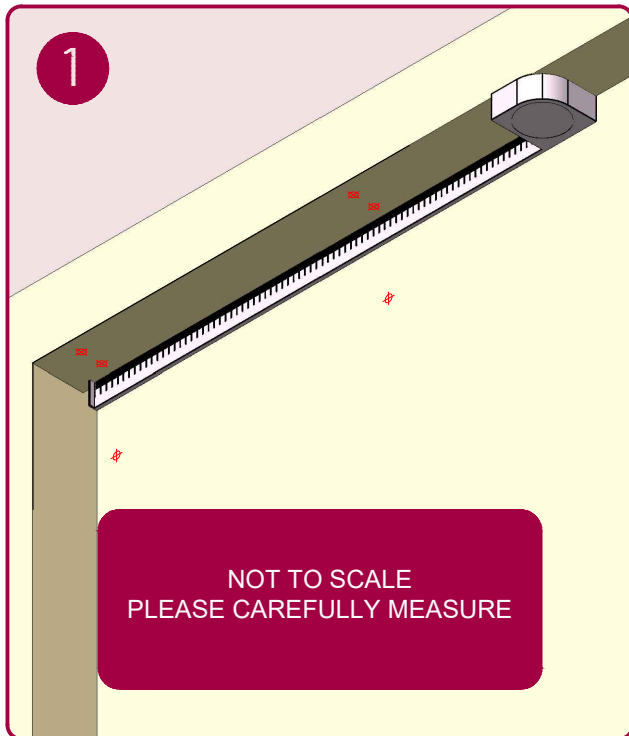
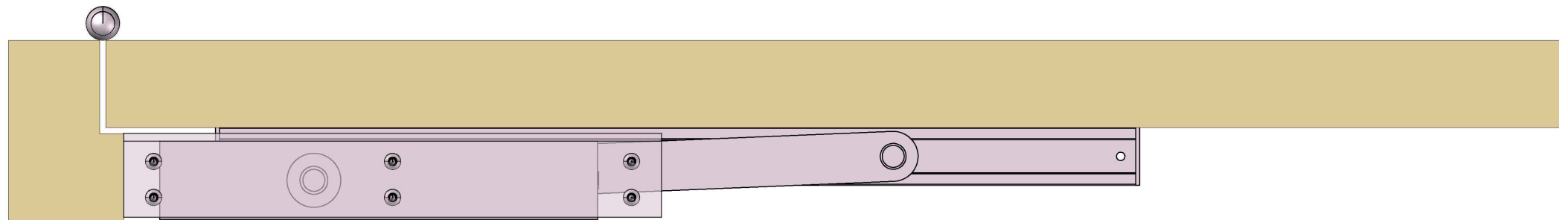
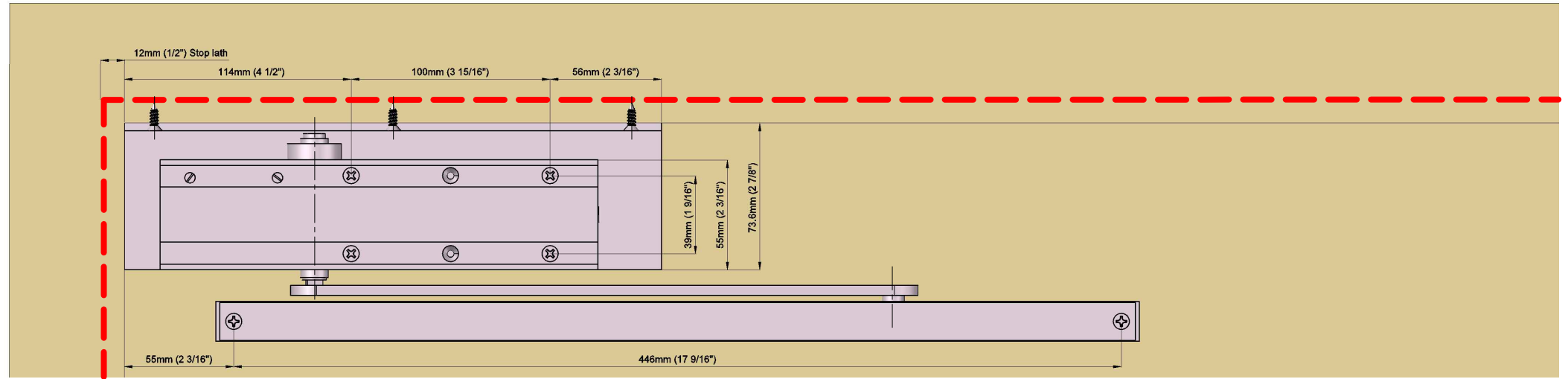
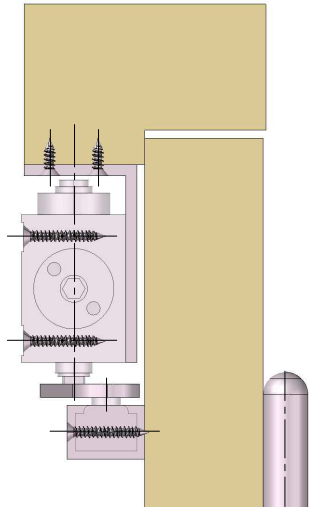
1100mm Max door width



80Kg Max door weight



BS EN 1154  
4 8 2 4 1 1 3



Size 2-4 Power Adjustment

4	No. of turns	Size	Max. door width	Max. opening angle	Max weight
-4	2	850mm	120°	45	
*0	3	950mm	120°	60	
+6	4	1100mm	120°	80	

\* FACTORY PRE-SET  
■ NOT SUITABLE FOR FIRE DOORS