



Parallel Arm Closer TS9205

TEL: +44 (0) 1246 261 491 | www.rutlanduk.co.uk



Operations and Maintenance Manual



35 YEARS WARRANTY



1250mm Max door width



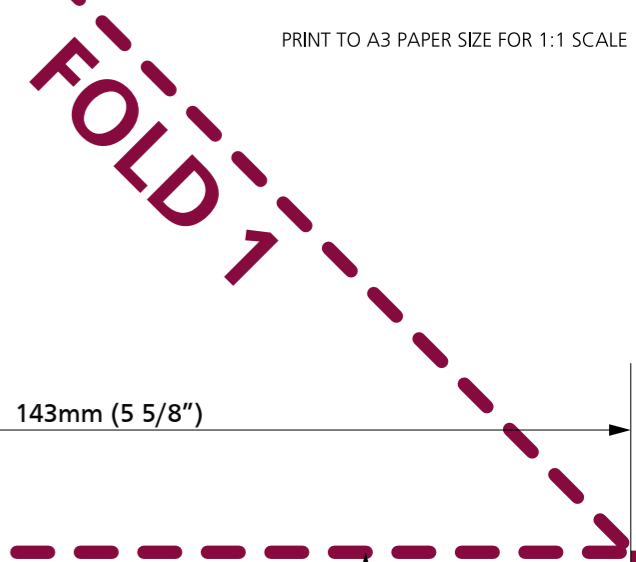
110Kg Max door weight



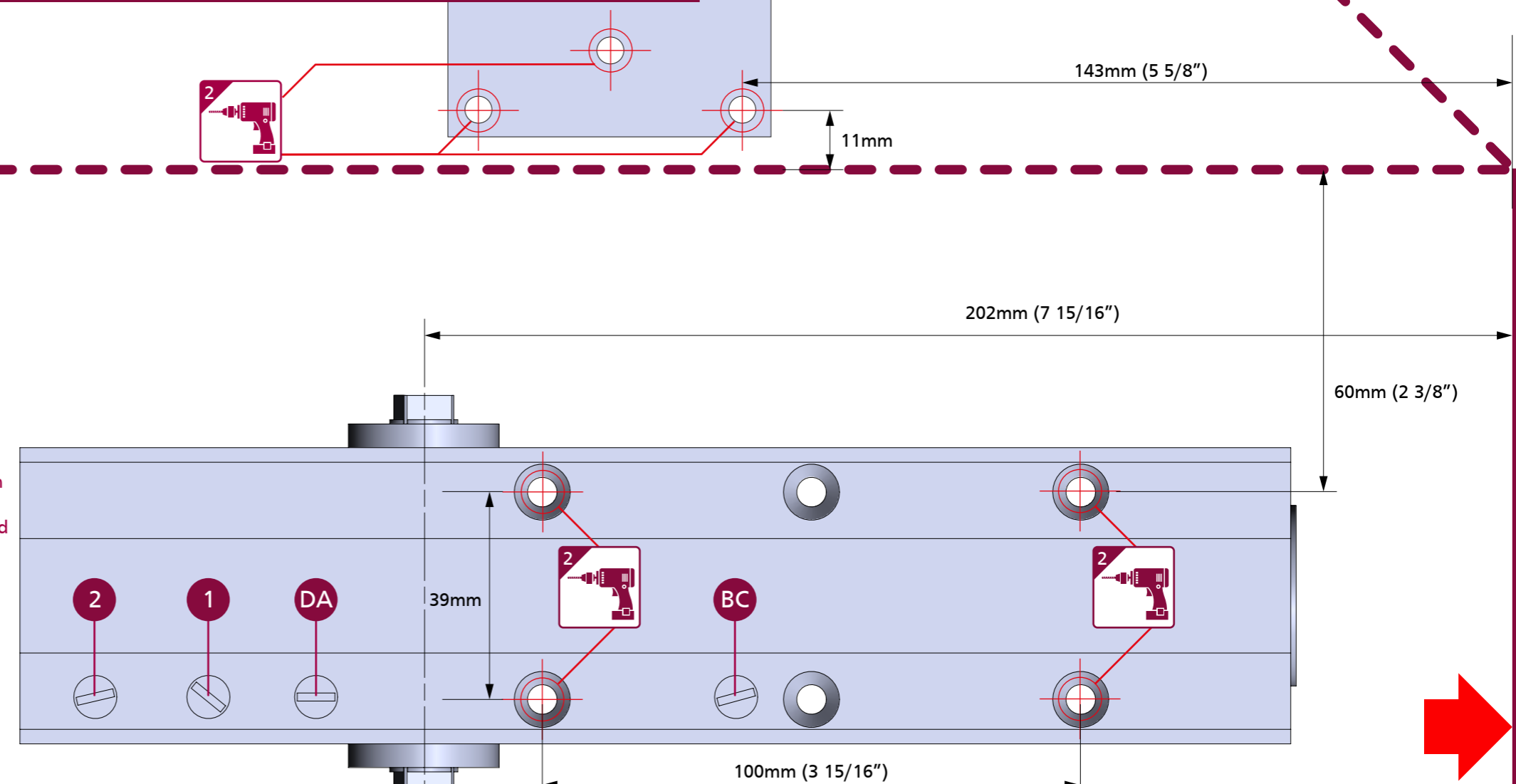
BS EN 1154



4 8 2 1 1 3
3 8 5 1 1 3



FOLD 2



BC - Back Check
DA - Delay Action
1 - Closing Speed
2 - Latching Speed

EN 2-5 Power Size

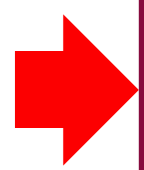
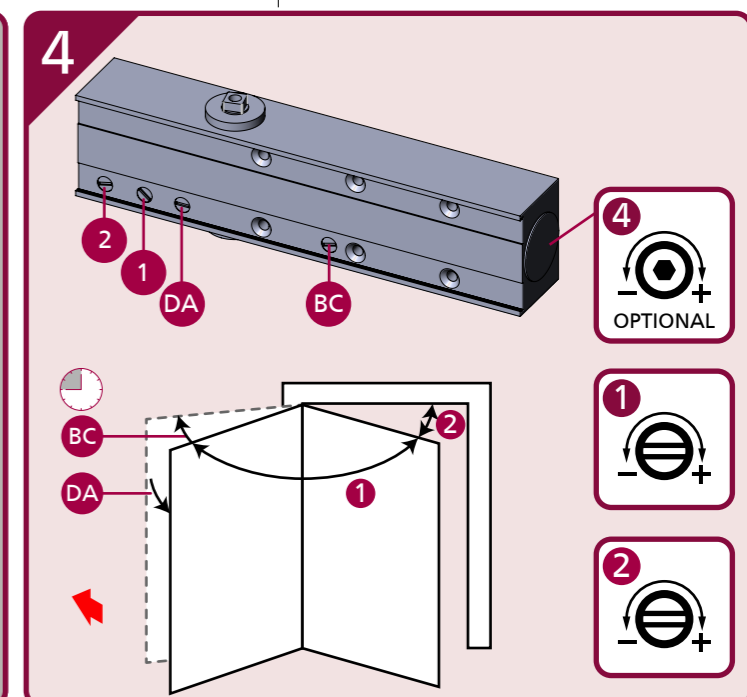
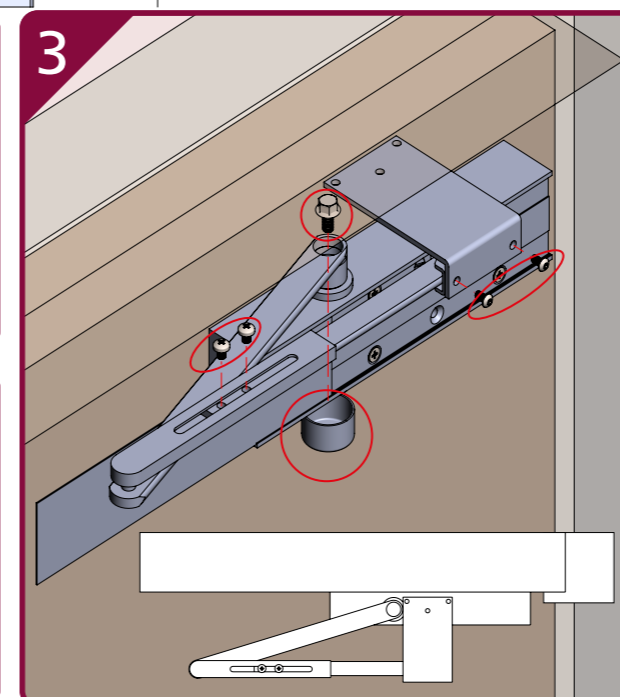
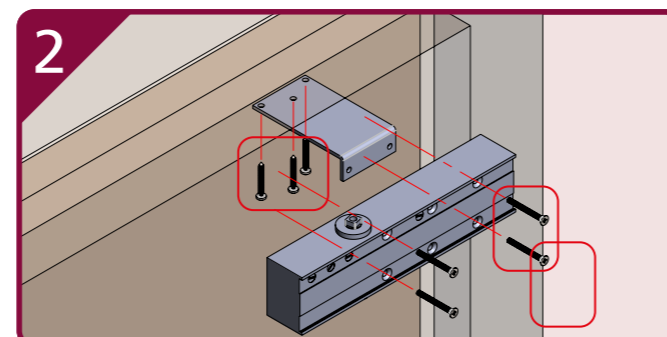
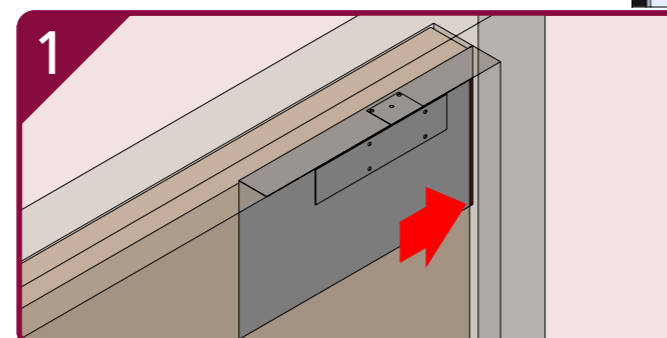
No of turns	EN Size	Max door width	Open Angle
-5	2	850mm	180°
*0	3	950mm	180°
+5	4	1100mm	180°
+9	5	1250mm	110°

*FACTORY PRE-SET

IMPORTANT NOTES:
DELAYED ACTION & BACK CHECK (DABC) VALVES ARE NOT STANDARD, THESE ARE OPTIONAL.
FOR UNINSULATED STEEL DOORS IP.95M MUST BE USED.
THE PINION BOLT MUST BE TIGHTENED TO 12Nm.

A MECHANICAL DOOR CLOSER IS NOT DESIGNED TO OVERCOME POOR FITTING, EXCESSIVE AIR PRESSURES OR BINDING SMOKE AND WEATHER SEALS. EXCESSIVE AIR PRESSURES CAN BE CREATED BY THROUGH DRAFT, BY AIR CONDITIONING, BY SMALL ROOMS WITHOUT VENTILATION, OR WHERE NO AIR TRANSFERS GRILLS ARE FITTED. MECHANICAL DOOR CLOSERS ARE DESIGNED TO CLOSE THE STATED AND TESTED SPECIFICATION OF DOOR WEIGHT AND DOORSETS/DOOR ASSEMBLIES WHEN DOORS ARE FITTED WITH CORRECT GAPS AND NOT BINDING ON SEALS. IF YOU ENCOUNTER PROBLEMS WITH DOORS NOT CLOSING PLEASE WATCH OUR "6 WAYS TO TROUBLE-SHOOT A DOOR CLOSER" VIDEO ONLINE. WHERE DOORS ARE NOT CLOSING DUE TO AIR PRESSURES THEN PROFESSIONAL ADVICE FROM AN AUTHORISED INSTALLER IS RECOMMENDED TO FIT TESTED AND THIRD PARTY CERTIFIED AIR TRANSFER GRILLS AND/OR AUTOMATIC DOOR OPERATORS.
NOTE: BC VALVES ARE DESIGNED TO ASSIST BACK-CHECK AND DO NOT REPLACE THE REQUIREMENT FOR CORRECTLY FITTED DOORSTOPS OR SAFETY BARRIERS.

FURTHER WARRANTY INFORMATION: <https://www.rutlanduk.co.uk/rutland-warranty>



FOLD 1



Parallel Arm Closer TS9205

TEL: +44 (0) 1246 261 491 | www.rutlanduk.co.uk



Operations and Maintenance Manual



3rd Party Certification



180° Open Angle



Two-Stage Speed Regulation



1812 1720



35 YEARS WARRANTY



1250mm Max door width

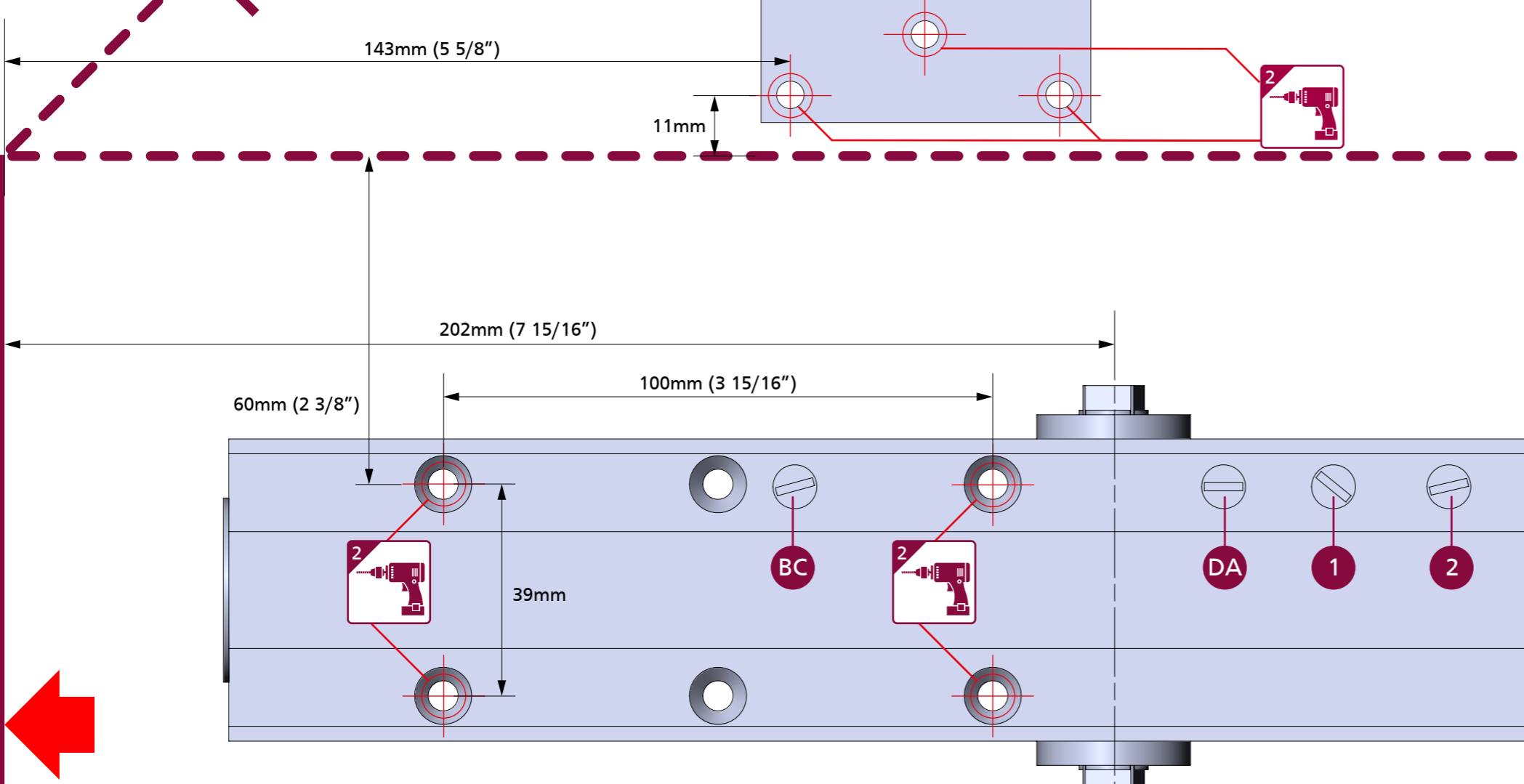


110Kg Max door weight

BS EN 1154

4	8	2	1	1	3
3	8	5	1	1	3

FOLD 2



BC - Back Check
 DA - Delay Action
 1 - Closing Speed
 2 - Latching Speed

EN 2-5 Power Size

No of turns	EN Size	Max door width	Open Angle
-5	2	850mm	180°
*0	3	950mm	180°
+5	4	1100mm	180°
+9	5	1250mm	110°

*FACTORY PRE-SET

IMPORTANT NOTES:
 DELAYED ACTION & BACK CHECK (DABC) VALVES ARE NOT STANDARD, THESE ARE OPTIONAL.
 FOR UNINSULATED STEEL DOORS IP.95M MUST BE USED.
 THE PINION BOLT MUST BE TIGHTENED TO 12Nm.

A MECHANICAL DOOR CLOSER IS NOT DESIGNED TO OVERCOME POOR FITTING, EXCESSIVE AIR PRESSURES OR BINDING SMOKE AND WEATHER SEALS. EXCESSIVE AIR PRESSURES CAN BE CREATED BY THROUGH DRAFT, BY AIR CONDITIONING, BY SMALL ROOMS WITHOUT VENTILATION, OR WHERE NO AIR TRANSFERS GRILLS ARE FITTED. MECHANICAL DOOR CLOSERS ARE DESIGNED TO CLOSE THE STATED AND TESTED SPECIFICATION OF DOOR WEIGHT AND DOORSETS/DOOR ASSEMBLIES WHEN DOORS ARE FITTED WITH CORRECT GAPS AND NOT BINDING ON SEALS. IF YOU ENCOUNTER PROBLEMS WITH DOORS NOT CLOSING PLEASE WATCH OUR "6 WAYS TO TROUBLE-SHOOT A DOOR CLOSER" VIDEO ONLINE. WHERE DOORS ARE NOT CLOSING DUE TO AIR PRESSURES THEN PROFESSIONAL ADVICE FROM AN AUTHORISED INSTALLER IS RECOMMENDED TO FIT TESTED AND THIRD PARTY CERTIFIED AIR TRANSFER GRILLS AND/OR AUTOMATIC DOOR OPERATORS.
 NOTE: BC VALVES ARE DESIGNED TO ASSIST BACK-CHECK AND DO NOT REPLACE THE REQUIREMENT FOR CORRECTLY FITTED DOORSTOPS OR SAFETY BARRIERS.

FURTHER WARRANTY INFORMATION: <https://www.rutlanduk.co.uk/rutland-warranty>

