

SCISSOR ARM DOOR CLOSERS

TS.9206



SCISSOR ARM DOOR CLOSERS

TS.9206

TS.9206 MARINE 316 door closer has been designed for external use, ideal for heavy usage, the TS.9206 is power adjustable by spring size 3-6, has a unique slimline appearance and comes with back check and delayed action as standard.

- Suitable for use on doors up to 1400mm wide
- Standard finishes - Corrosion resistance - Grade 3: High Corrosion resistance
- MARINE 316 - Grade 5: Exceptionally high corrosion resistance
- 35 Year Guarantee
- Available in 4 different finishes for next day delivery



3rd Party Certification



Opening Angle 180°



Two-Stage Speed Regulation



Guarantee



Max Door Width



Max Door Weight



Product Features	TS.9206
Delayed Action	✓
Back Check	✓
Opening Angle	180°
Fig.1 Pull Side Door Width	415-1400mm
Fig.66 Push Side Door Width	490-1250mm
Fig.1 BS8300 Min Door Width	835mm
Fig.66 BS8300 Min Door Width	728mm
Max Door Weight	<120kg
Power Adjustment	By Spring
Hold Open (not for fire doors)	◦
Dimensions (including cover)	W307 x H77 x D47mm
Certification Compliance	
Certifire	-
UKCA	✓
CE	✓
BS EN 1154	✓
BS EN 1634	✓
BS EN 1670	Grade 5
UL10C	-
UL228	-
ANSI BHMA	-
IFCC	✓
EPD 3.09E+01 kg CO ₂ eq	✓

Key: ✓ Yes - No ◦ Option

Finishes

See page 96 for more detail



SE Silver



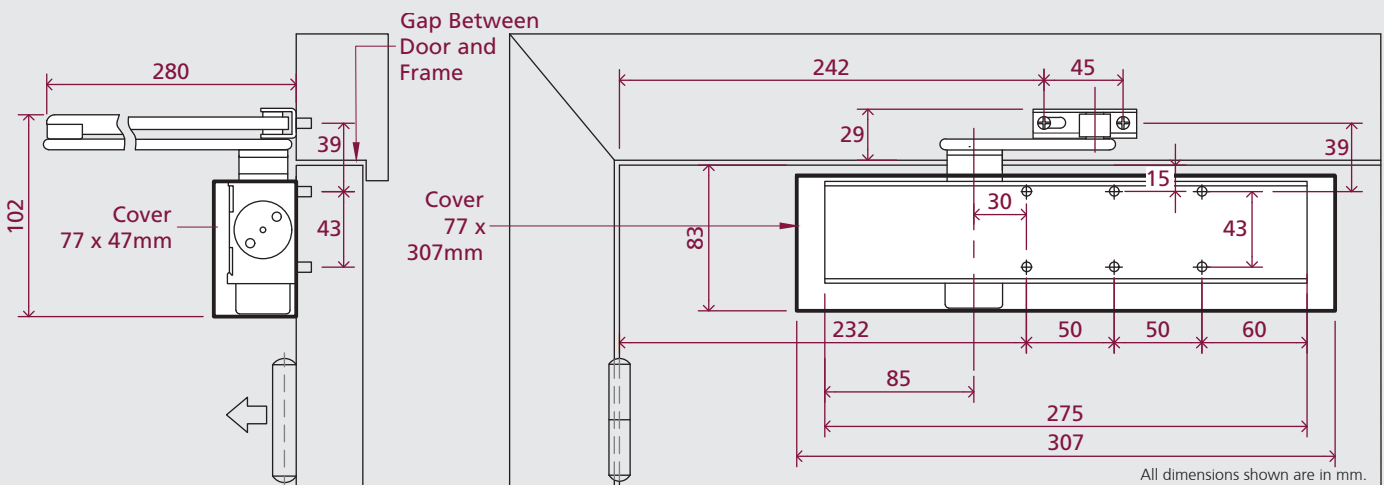
SNP Satin Nickel



PNP Polished Nickel



M Marine 316



For fitting instructions see website