



Standard Arm Fig 1 (Pull Side)

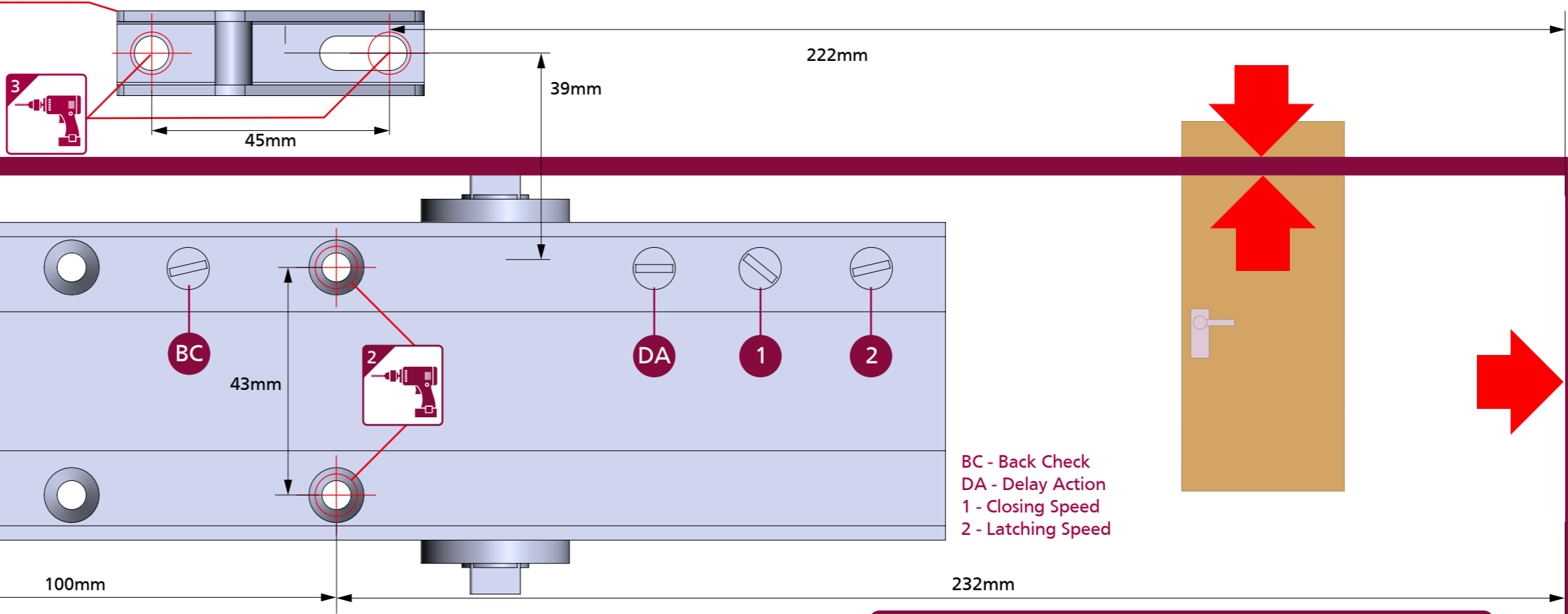
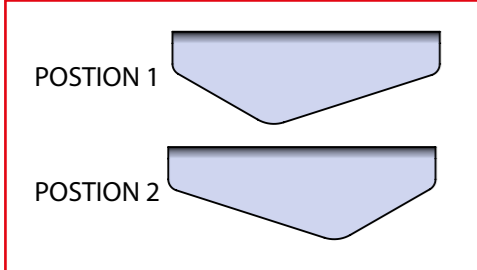
TS9206



1812 1720

BS EN 1154

4	8	2	1	1	3
3	8	6	1	1	3



BC - Back Check
DA - Delay Action
1 - Closing Speed
2 - Latching Speed

EN 2-6 Power Size

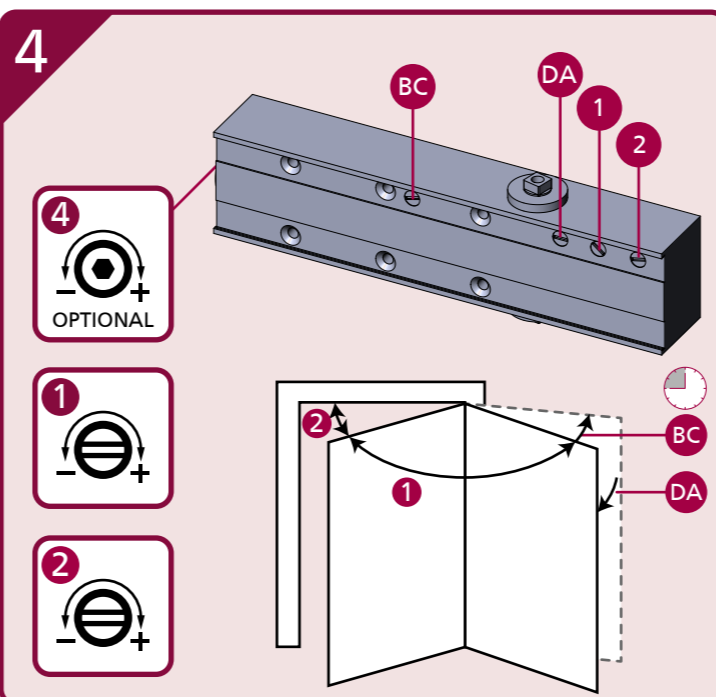
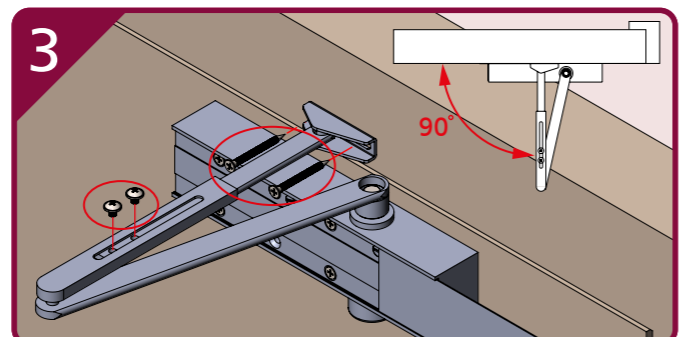
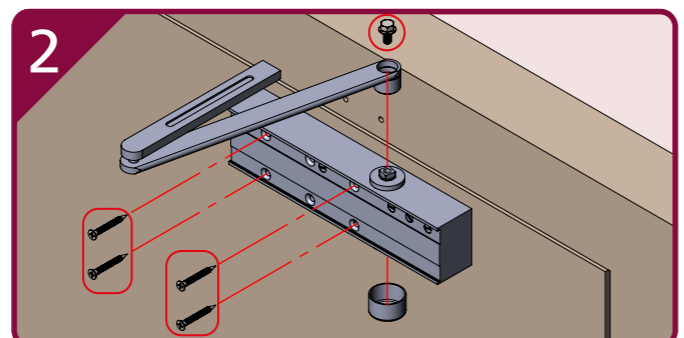
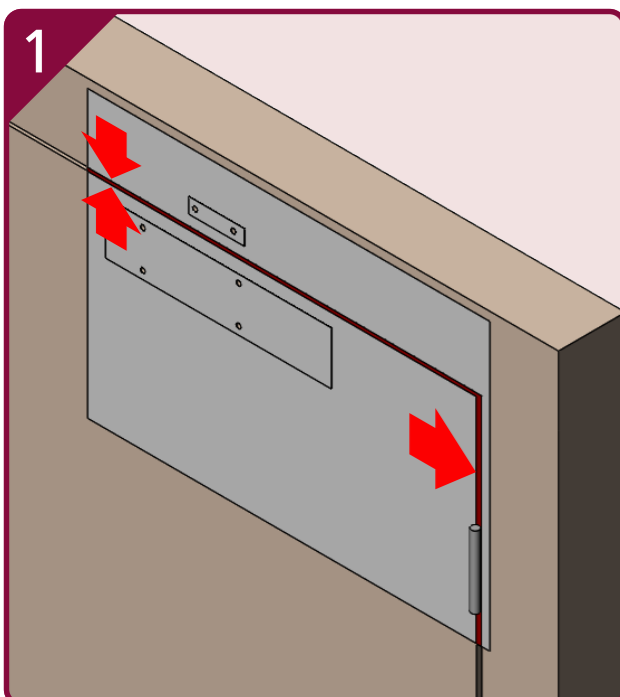
No of turns	EN Size	Shoe Position	Max door width	Open Angle	Max weight
-4	2 ^A	2	850mm	180°	45
-2	3	2	950mm	180°	60
0*	4	1	1100mm	180°	80
+3	5	1	1250mm	180°	110
+8	6	1	1400mm	110°	120

*FACTORY PRE-SET
A - EN2 NOT SUITABLE FOR FIRE DOOR

IMPORTANT NOTES:
DELAYED ACTION & BACK CHECK (DABC) VALVES ARE NOT STANDARD, THESE ARE OPTIONAL.
FOR UNINSULATED STEEL DOORS IP.95M MUST BE USED.
THE PINION BOLT MUST BE TIGHTENED TO 12Nm.

A MECHANICAL DOOR CLOSER IS NOT DESIGNED TO OVERCOME POOR FITTING, EXCESSIVE AIR PRESSURES OR BINDING SMOKE AND WEATHER SEALS. EXCESSIVE AIR PRESSURES CAN BE CREATED BY THROUGH DRAFT, BY AIR CONDITIONING, BY SMALL ROOMS WITHOUT VENTILATION, OR WHERE NO AIR TRANSFERS GRILLS ARE FITTED. MECHANICAL DOOR CLOSERS ARE DESIGNED TO CLOSE THE STATED AND TESTED SPECIFICATION OF DOOR WEIGHT AND DOORSETS/DOOR ASSEMBLIES WHEN DOORS ARE FITTED WITH CORRECT GAPS AND NOT BINDING ON SEALS. IF YOU ENCOUNTER PROBLEMS WITH DOORS NOT CLOSING PLEASE WATCH OUR "6 WAYS TO TROUBLESHOOT A DOOR CLOSER" VIDEO ONLINE. WHERE DOORS ARE NOT CLOSING DUE TO AIR PRESSURES THEN PROFESSIONAL ADVICE FROM AN AUTHORISED INSTALLER IS RECOMMENDED TO FIT TESTED AND THIRD PARTY CERTIFIED AIR TRANSFER GRILLS AND/OR AUTOMATIC DOOR OPERATORS.
NOTE: BC VALVES ARE DESIGNED TO ASSIST BACK-CHECK AND DO NOT REPLACE THE REQUIREMENT FOR CORRECTLY FITTED DOORSTOPS OR SAFETY BARRIERS.

FURTHER WARRANTY INFORMATION: <https://www.rutlanduk.co.uk/rutland-warranty>





Standard Arm Fig 1 (Pull Side)

TS9206

TEL: +44 (0) 1246 261 491 | www.rutlanduk.co.uk



Operations and Maintenance Manual



35 YEARS WARRANTY



1400mm Max door width



120Kg Max door weight



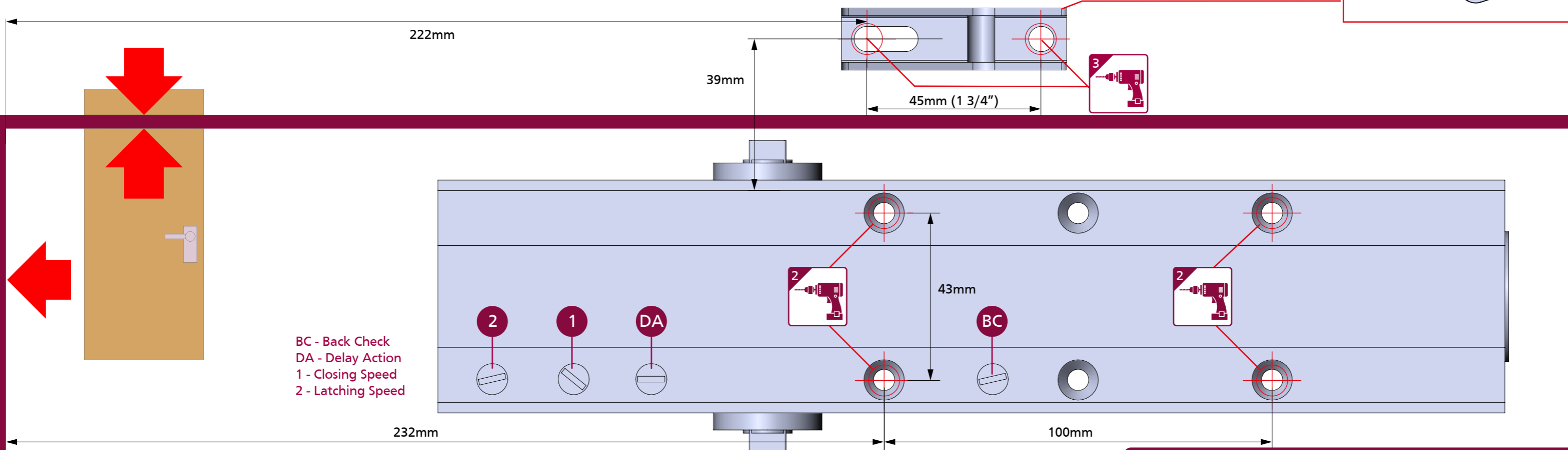
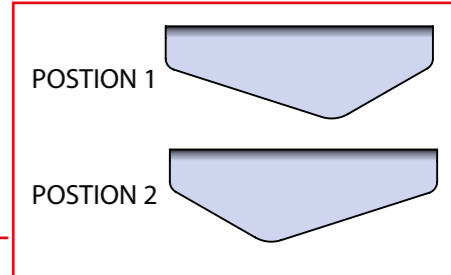
BS EN 1154

4	8	2	1	1	3
3	8	6	1	1	3



1812 1720

PRINT TO A3 PAPER SIZE FOR 1:1 SCALE



BC - Back Check
 DA - Delay Action
 1 - Closing Speed
 2 - Latching Speed

EN 2-6 Power Size

No of turns	EN Size	Shoe Position	Max door width		Max weight
-4	2 ^A	2	850mm	180°	45
-2	3	2	950mm	180°	60
0*	4	1	1100mm	180°	80
+3	5	1	1250mm	180°	110
+8	6	1	1400mm	110°	120

*FACTORY PRE-SET
 A - EN2 NOT SUITABLE FOR FIRE DOOR

IMPORTANT NOTES:
 DELAYED ACTION & BACK CHECK (DABC) VALVES ARE NOT STANDARD, THESE ARE OPTIONAL.
 FOR UNINSULATED STEEL DOORS IP.95M MUST BE USED.
 THE PINION BOLT MUST BE TIGHTENED TO 12Nm.

A MECHANICAL DOOR CLOSER IS NOT DESIGNED TO OVERCOME POOR FITTING, EXCESSIVE AIR PRESSURES OR BINDING SMOKE AND WEATHER SEALS. EXCESSIVE AIR PRESSURES CAN BE CREATED BY THROUGH DRAFT, BY AIR CONDITIONING, BY SMALL ROOMS WITHOUT VENTILATION, OR WHERE NO AIR TRANSFERS GRILLS ARE FITTED. MECHANICAL DOOR CLOSERS ARE DESIGNED TO CLOSE THE STATED AND TESTED SPECIFICATION OF DOOR WEIGHT AND DOORSETS/DOOR ASSEMBLIES WHEN DOORS ARE FITTED WITH CORRECT GAPS AND NOT BINDING ON SEALS. IF YOU ENCOUNTER PROBLEMS WITH DOORS NOT CLOSING PLEASE WATCH OUR "6 WAYS TO TROUBLESHOOT A DOOR CLOSER" VIDEO ONLINE. WHERE DOORS ARE NOT CLOSING DUE TO AIR PRESSURES THEN PROFESSIONAL ADVICE FROM AN AUTHORISED INSTALLER IS RECOMMENDED TO FIT TESTED AND THIRD PARTY CERTIFIED AIR TRANSFER GRILLS AND/OR AUTOMATIC DOOR OPERATORS.
 NOTE: BC VALVES ARE DESIGNED TO ASSIST BACK-CHECK AND DO NOT REPLACE THE REQUIREMENT FOR CORRECTLY FITTED DOORSTOPS OR SAFETY BARRIERS.

FURTHER WARRANTY INFORMATION: <https://www.rutlanduk.co.uk/rutland-warranty>

