

SLIDE ARM DOOR CLOSERS

TS.11204



SLIDE ARM DOOR CLOSERS

TS.11204

Being renowned for its high efficiency and ease of opening with a cam action mechanism, the TS.11204 is a Certifire approved door closer for both push and pull side applications. This surface fixed slide arm door closer has a slimline projection of only 39mm, and is power adjustable by spring, power size 2-4.

- Universal fitting – can be fitted in pull-side, push-side or transom fitting position
- Option of Square (Satin Nickel only) or Semi-Radius cover
- Available in Silver, Satin Nickel, Polished Nickel, Polished Brass, Black & Antique Brass for next day delivery



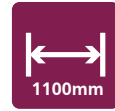
FD30 to FD120
Timber Doors



Opening Angle
110°



Two-Stage
Speed Regulation



Max Door
Width
1100mm



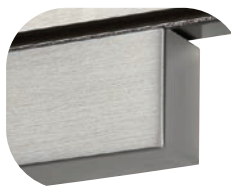
Max Door
Weight
80Kg



Guarantee
35 YEARS



Assists BS8300



Square Cover (SQ)



Semi Radius Cover (SR)

Product Features

TS.11204

Delayed Action	-
Back Check (Cushion stop available)	-
Opening Angle	110°
Fig.1 Pull Side Door Width	575-1100mm
Fig.66 Push Side Door Width	575-1100mm
Fig.1 BS8300 Min Door Width	857mm
Max Door Weight	<80kg
Power Adjustment	By Spring
Hold Open (not for fire doors)	-
Dimensions (including cover)	W253 x H61 x D39mm

Certification Compliance

Certifire	✓
UKCA	✓
CE	✓
BS EN 1154	✓
BS EN 1634	✓
UL10C	-
UL228	✓
ANSI BHMA	-
EPD 3.09E+01 kg CO ₂ eq	✓

Key: ✓ Yes - No ◦ Option

Finishes

See page 96 for more detail



SE
Silver



SNP
Satin Nickel



PNP
Polished Nickel



PVD
Polished Brass



AB
Antique Brass



BK
Black



1720



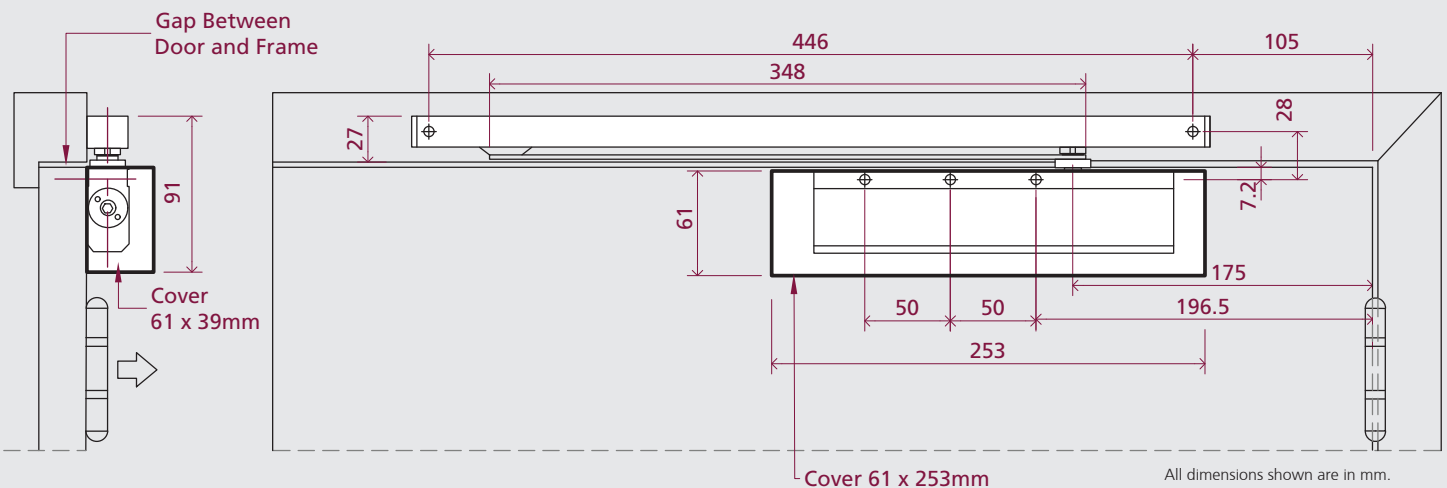
Approved Product
CF 6006



1812



Official Police Security Initiative



For fitting instructions see website