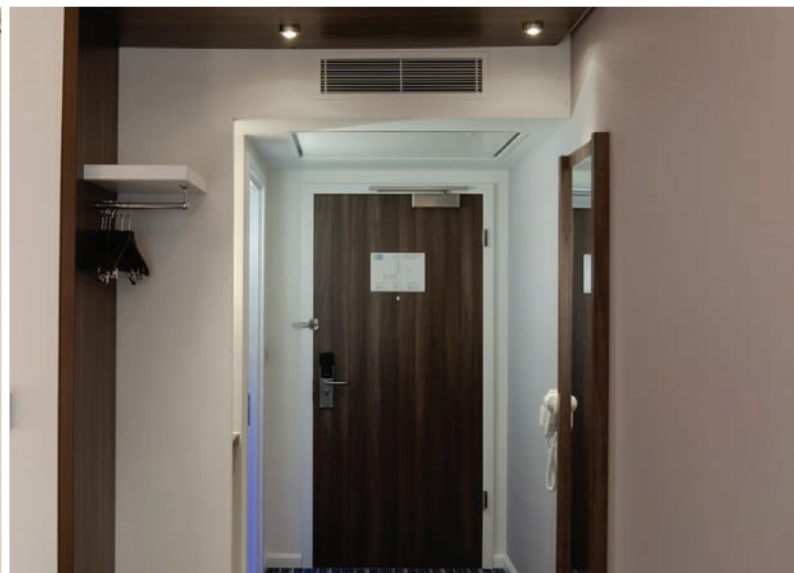


SLIDE ARM DOOR CLOSERS

# TS.11205



SLIDE ARM DOOR CLOSERS

# TS.11205

The Rutland Certifire approved TS.11205 Cam Action door closer gets the perfect balance between ease of opening for the less able whilst having enough power to close doors up to 1250mm wide and 110kg, making it ideal for contracts where requirements include meeting Doc M and BS8300 (or formerly DDA).

- Available with optional back check and delayed action
- Power Adjustable by spring, size 2-5
- Available in Silver, Satin Nickel, Polished Nickel, Polished Brass & Black for next day delivery



FD30 to FD120  
Timber Doors



Opening Angle  
120°



Two-Stage  
Speed Regulation



1250mm  
Max Door  
Width



110Kg  
Max Door  
Weight



Guarantee



Assists BS8300



**Finishes**

See page 96 for more detail



SE  
Silver



SNP  
Satin Nickel



PNP  
Polished Nickel



PVD  
Polished Brass



BK  
Black

**Product Features**

**TS.11205**

Opening Angle	120°
Fig.1 Pull Side Door Width	575-1250mm
Fig.66 Push Side Door Width	575-1250mm
Fig.1 BS8300 Min Door Width	EN3-757mm, EN4-743mm
Max Door Weight	<110kg
Power Adjustment	By Spring
Hold Open (not for fire doors)	o
Dimensions (including cover)	W257 x H68 x D43mm

**Certification Compliance**

Certifire	✓
UKCA	✓
CE	✓
BS EN 1154	✓
BS EN 1634	✓
UL10C	-
UL228	✓
ANSI BHMA	-
EPD 3.09E+01 kg CO <sub>2</sub> eq	✓

**Key:** ✓ Yes    - No    o Option



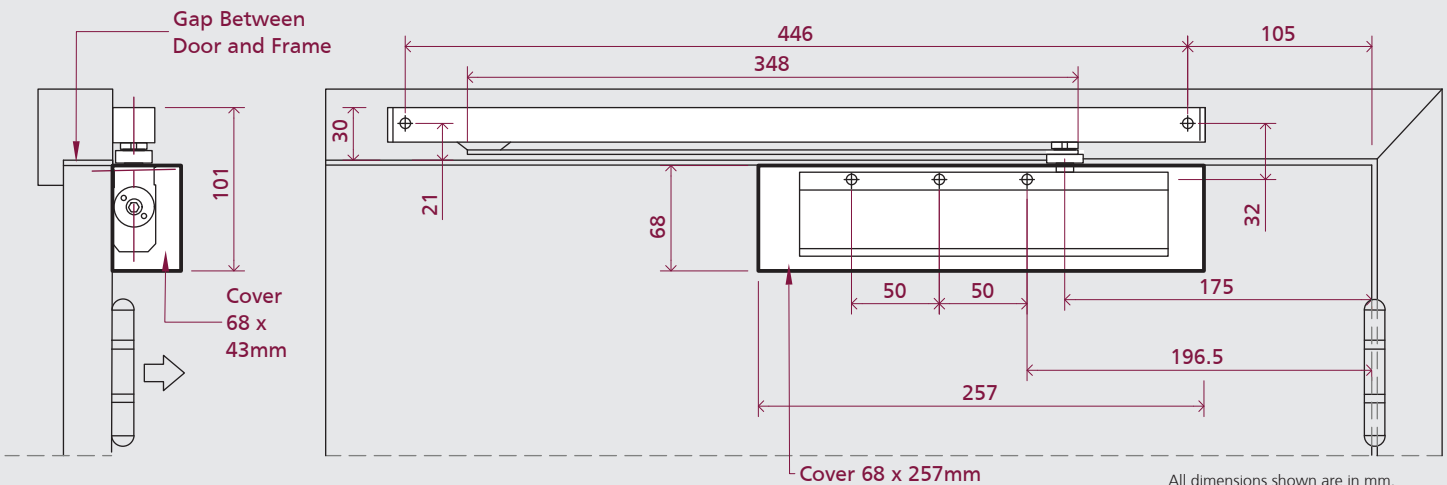
1720



Approved Product  
CF 6006



1812



For fitting instructions see website