

SLIDE ARM DOOR CLOSERS

TS.24



SLIDE ARM DOOR CLOSER

TS.24

With a rack+pinion mechanism giving fine control throughout both the opening and closing cycle, the Rutland TS.24 slide arm door closer has an opening angle of up to 180° and is power adjustable by spring, power size 2-4.

- 180° Opening Angle
- Total projection of 40mm from the door
- Available in Silver, Satin Nickel & White for next day delivery



3rd Party Certification



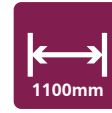
Opening Angle 180°



Two-Stage Speed Regulation



Guarantee



Max Door Width 1100mm



Max Door Weight 80Kg



Finishes

See page 98 for more detail



SE Silver

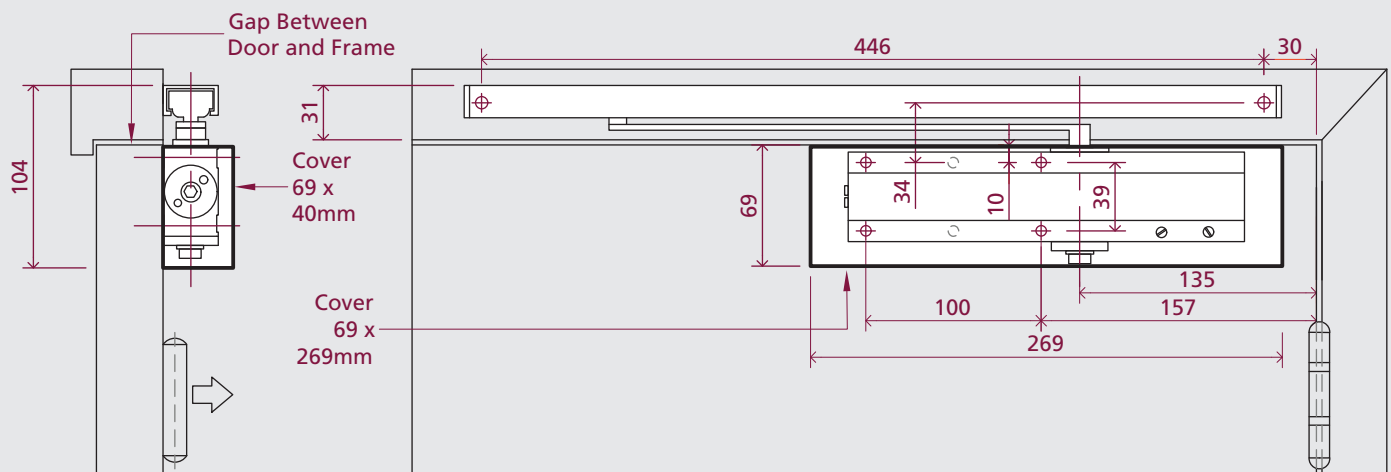


SNP Satin Nickel



WH White

Product Features	TS.24
Delayed Action	-
Back Check	-
Opening Angle	180°
Fig.1 Pull Side Door Width	490-1100mm
Fig.66 Push Side Door Width	490-1100mm
Max Door Weight	80kg
Power Adjustment	By Spring
Hold Open (not for fire doors)	o
Dimensions (including cover)	W269 x H69 x D40mm
Certification Compliance	
Certifire	-
UKCA	✓
CE	✓
BS EN 1154	✓
BS EN 1634	✓
UL10C	-
UL228	-
ANSI BHMA	-
IFCC	✓
EPD 3.09E+01 kg CO ₂ eq	✓
Key: ✓ Yes - No o Option	



All dimensions shown are in mm.

For fitting instructions see website