



SCISSOR ARM DOOR CLOSERS

TS.9205



SCAN FOR FULL INFO



TS.9205

TS.9205 is a popular and highly efficient door closer with both optional back check and delayed action, and assisting BS8300.



FD30 to FD120
Timber Doors



Opening Angle
180°



Two-Stage
Speed Regulation



Guarantee



Max Door
Width
1250mm



Max Door
Weight
110Kg

Key Features:

- Power Adjustable EN2-5.
- Standard finishes - Corrosion resistance - Grade 3: High Corrosion resistance
- MARINE 316 - Grade 5: Exceptionally high corrosion resistance
- Slimline body & cover with only 40mm projection.
- Heavy duty closer - tested to four times the industry standard



Finishes

See page 148 for more detail



Product Features

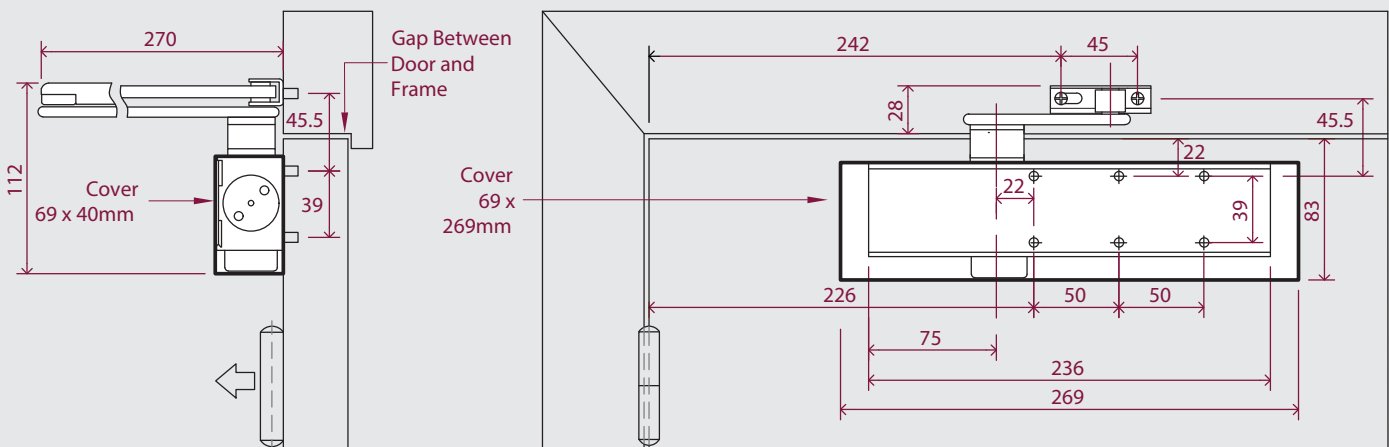
TS.9205

Delayed Action	TS.9205DABC
Back Check	TS.9205BC
Opening Angle - Pull-side	180° (Fig 1)
Fig.1 Pull Side Door Width	390-1250mm
Fig.66 Push Side Door Width	390-1100mm
Fig.1 BS8300 Min Door Width	835mm
Fig.66 BS8300 Min Door Width	728mm
Max Door Weight	<110kg
Power Adjustment	By Spring
Hold Open (not for fire doors)	o
Dimensions (including cover)	W269 x H69 x D40mm

Certification Compliance

Certifire	✓
UKCA	✓
CE - For classification see website	✓
BS EN 1154	✓
BS EN 1634-1	✓
BS EN 1670	Grade 5
UL10C	-
UL228	✓
ANSI BHMA	-
EPD 3.09E+01 kg CO ₂ eq	✓

Key: ✓ Yes - No o Option



All dimensions shown are in mm • For fitting instructions see website