



Enhancing **compliance**
and **performance** at every door

Double Action Door Closer Kit

Information Pack

CONTENT

Content	1
Product Information	2
Packing List	2
ITS.11204/IP.114DAX	3
PS.190/PS.260	4
IP.190/IP.190114.....	5
Falcon FOA.....	5
Position & Cut-out	
Floor Mount Spindle.....	6
Bottom Pivot.....	7
Top Pivot & Door Closer Rail	8
Top Pivot Strap & Door Closer	9
Fitting Instruction	
Floor Mount Spindle.....	10
Floor Mount Strap	11
ITS.11204 Door Closer	13
PS.190 Top Pivot Strap	14
ITS.11204 & IP.114DAX	15
ITS.11204 Rail & IP.114DAX	16
IP.190	17
CB.4 Connector Bar	18
Door Alignment.....	19
ITS.11204 O&M Manual	
Valve & Power Adjustment	20
Maintenance	21

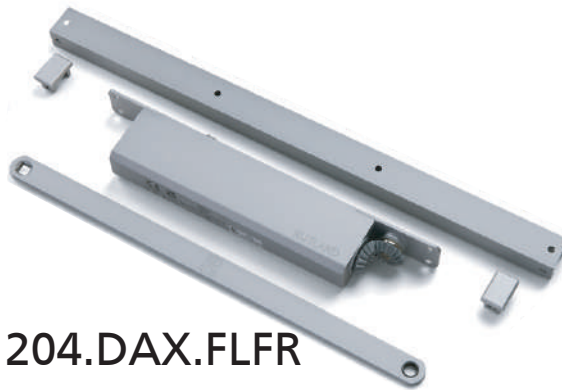
Production Information

Packing List

Product Code	Description	Quantity
ITS.11204.DAX.FLFR	ITS.11204 Double Action Door Closer with rail	1
PS.190	PS.190 Pivot Set	1
PS.260	PS.260 Floor Mount Spindle	1
IP.114DAX	Intumescent for TS.11204 Double Action door Closer & Rail	1
IP.114190	Intumescent for PS.190 and ITS.11204	1



PS.190



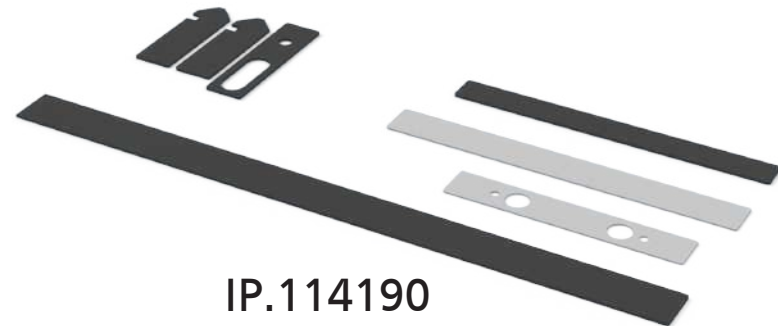
ITS.11204.DAX.FLFR



IP.114DAX



PS.260



IP.114190

Production Information

ITS.11204.DAX

Item	Code	Quantity
ITS.11204 Mechanism body	ITS.11204	1
Slide rail for ITS.11204	SA.2	1
Sliding Shoe for Channel	SA.SSH	1
Slide arm locking block (assemble with SA.2)	SA.1.Block	1
End cap for conceal rail	SA.EC	1 set (2pcs)
Connector bar for ITS.11204 Double Action	CB.4	1
O-Ring for CB.4 Connector Bar (assemble wih CB.4)	CB.5.ORING	1
Shoulder bolt for connector bar and sliding shoe	FIX.CBB	1
Ø4.2x16 countersunk self-tapping screws (screw pack)	FIX.2.ITS.114	1 pack (8pcs)
M5x15 countersunk machine screws (screw pack)	FIX.2.ITS.114	1 pack (8pcs)
M5x12 countersunk machine screw with washer (screw pack)	FIX.2.ITS.114	1 set



IP.114DAX

Item	Code	Quantity
Intumescent for ITS.11204 Double Action Strap	-	1 set (2pcs)



Production Information

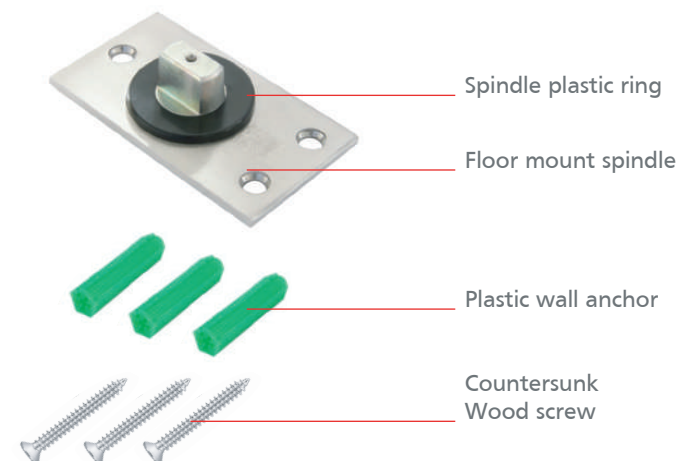
PS.190

Item	Code	Quantity
Top Pivot	-	1
Top Pivot Strap	-	1
Floor mount strap	-	1
M6x25 countersunk machine screws (Pack A)	-	5
Ø5.5x25 countersunk self-tapping screws (Pack A)	-	5
M5x20 countersunk machine screws (Pack B)	-	10
Ø4.2x20 countersunk self-tapping screws (Pack C)	-	10



PS.260

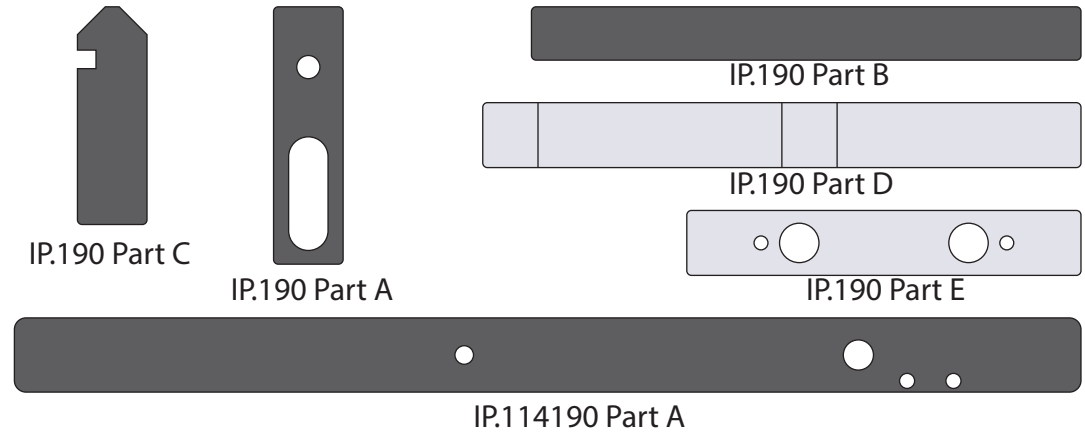
Item	Code	Quantity
Floor mount spindle	-	1
Spindle Plastic Ring	-	1
Plastic wall anchor	-	3
Ø4.8 x 32 countersunk self-tapping screws	-	3



Production Information

IP.114190

Item	Thickness	Quantity
IP.190 Part A	2mm	1
IP.190 Part B	2mm	1
IP.190 Part C	2mm	2
IP.190 Part D	1mm	1
IP.190 Part E	1mm	1
IP.114190 Part A	2mm	1

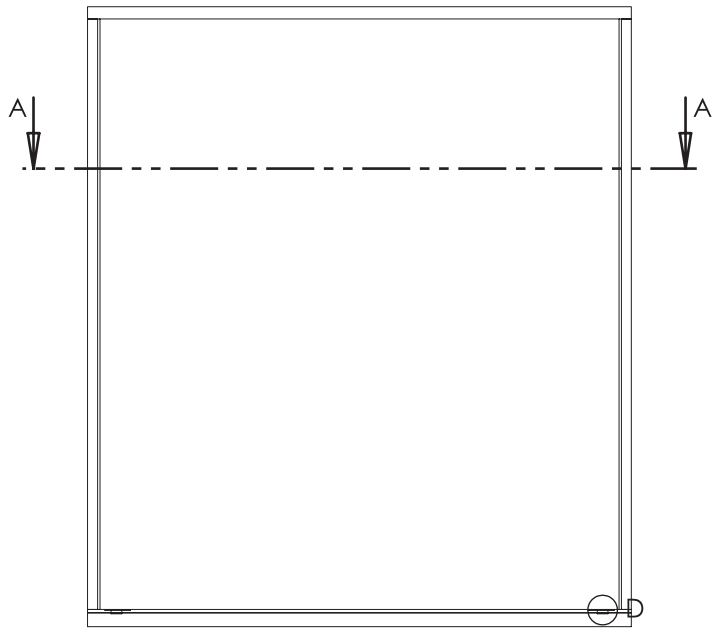
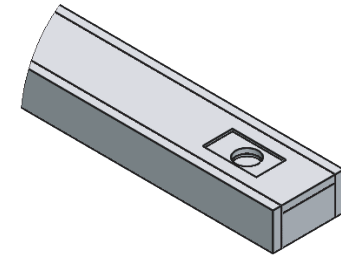


Falcon FOA

- Please refer to Falcon field of application for door slab and technical details around testing and the door seals.
Ref No.CHILT/A02067 sec 10.9.3.2.1 Page 41&42

Position & Cutout

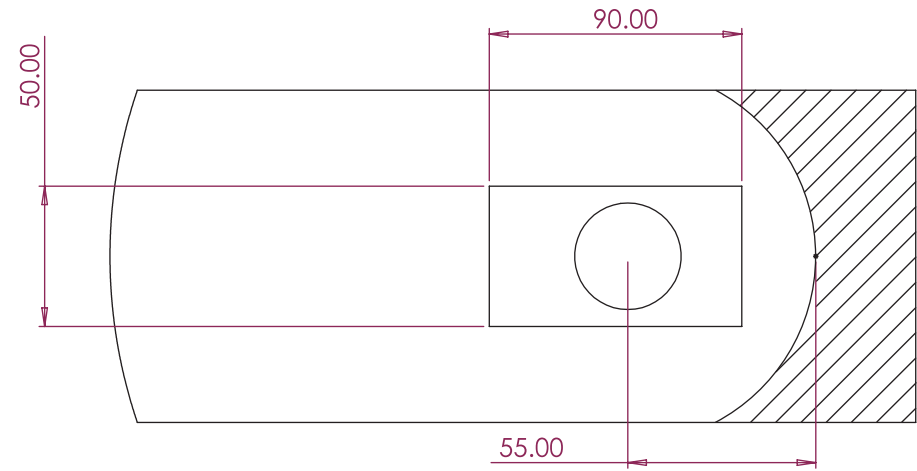
Cill/Floor Mount Spindle - PS.260



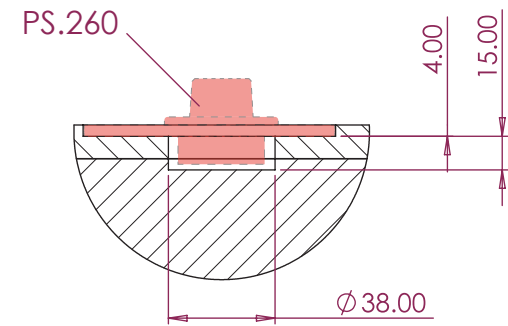
SECTION C-C



SECTION A-A



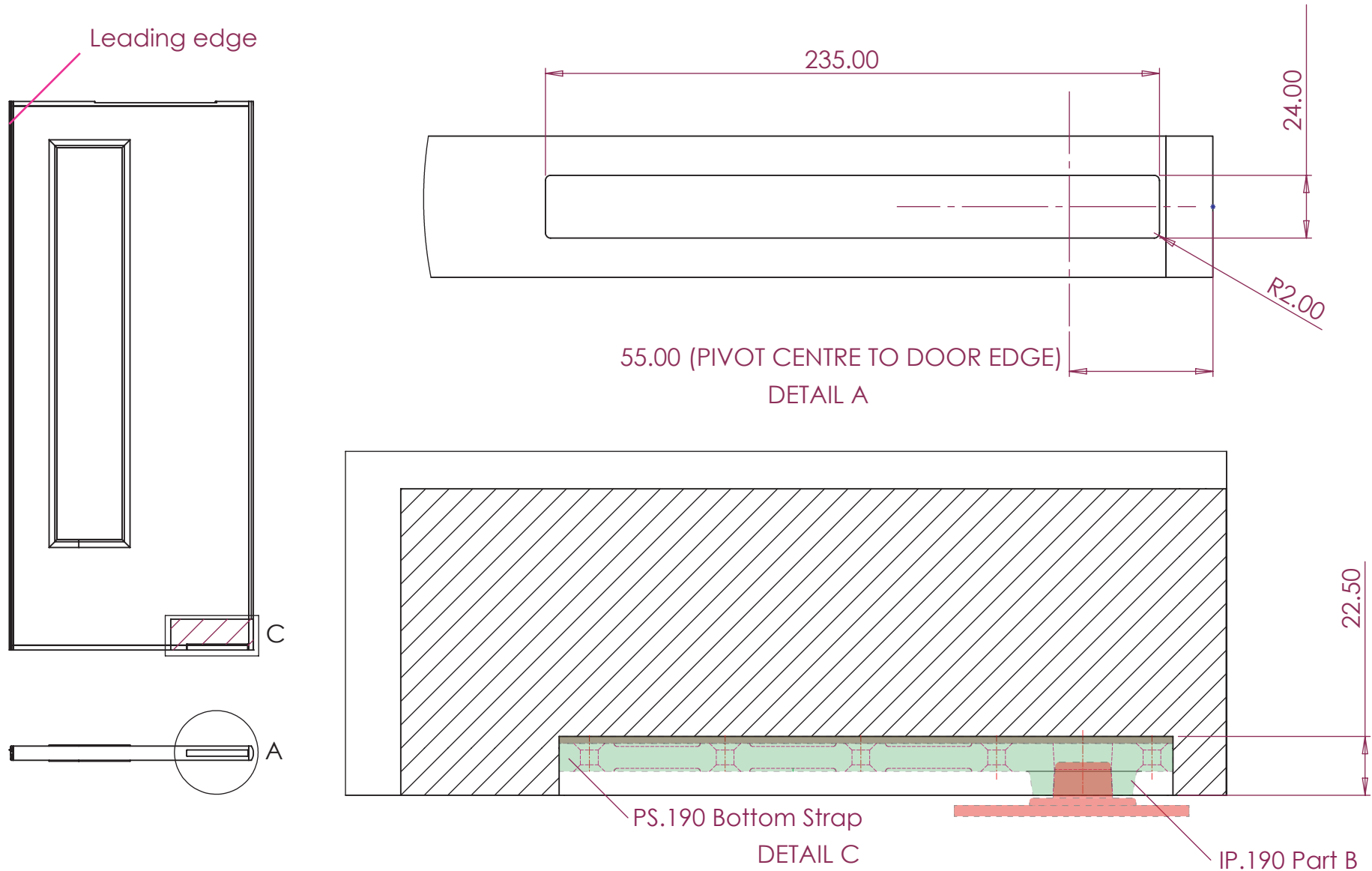
DETAIL B



DETAIL D

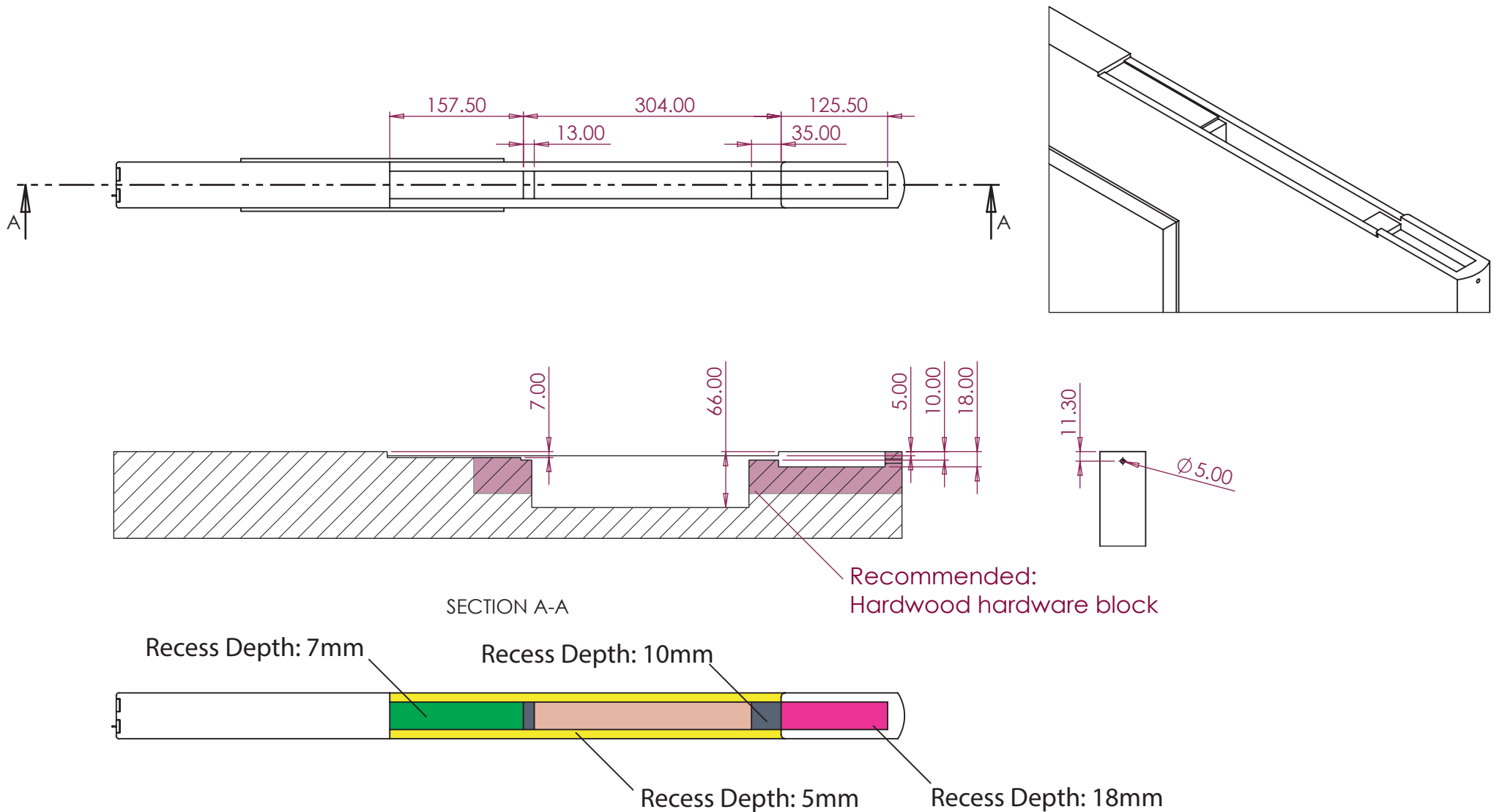
Position & Cutout

Door Leaf (bottom)/Bottom Pivot - PS.190 Bottom Strap



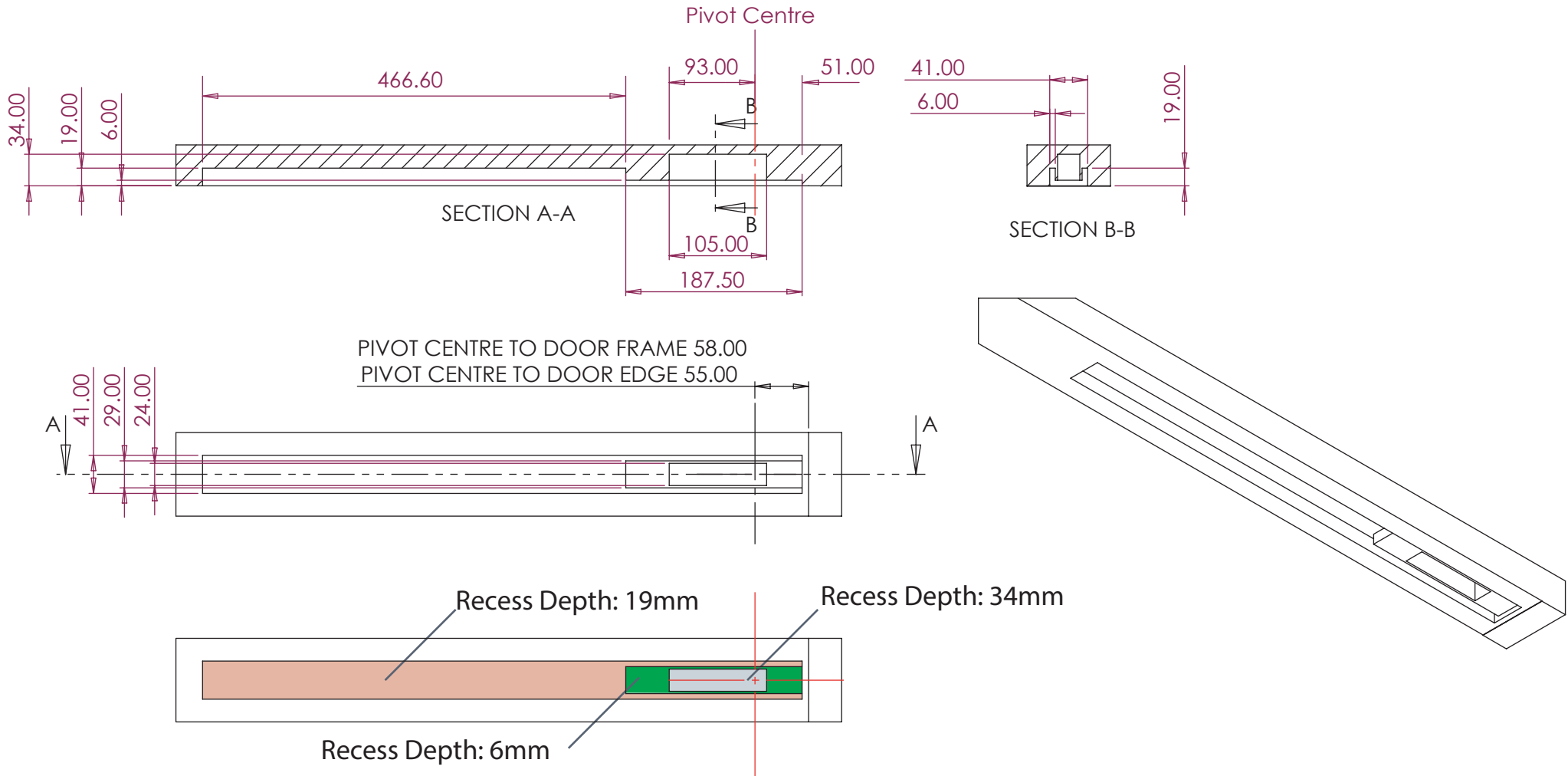
Position & Cutout

Door Leaf (top)/Top Pivot Strap - PS.190 Top Plate & ITS.11204 Door Closer



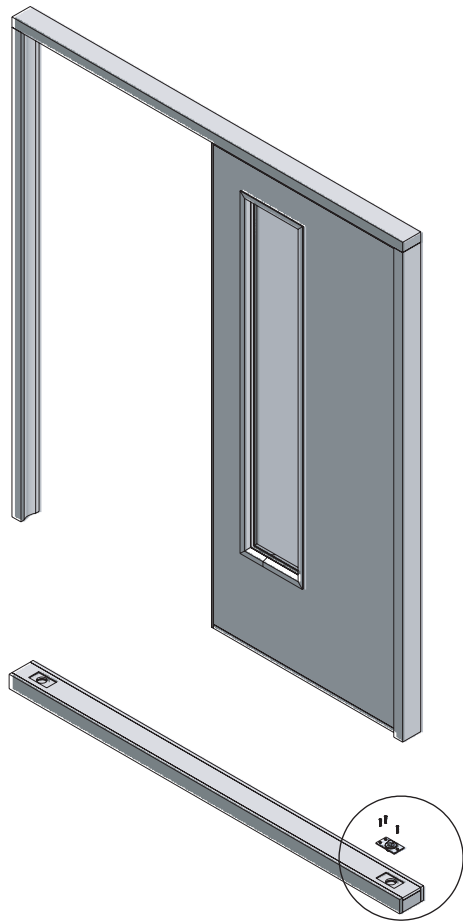
Position & Cutout

Frame Head/Top Pivot, door closer rail and IP.114DAX

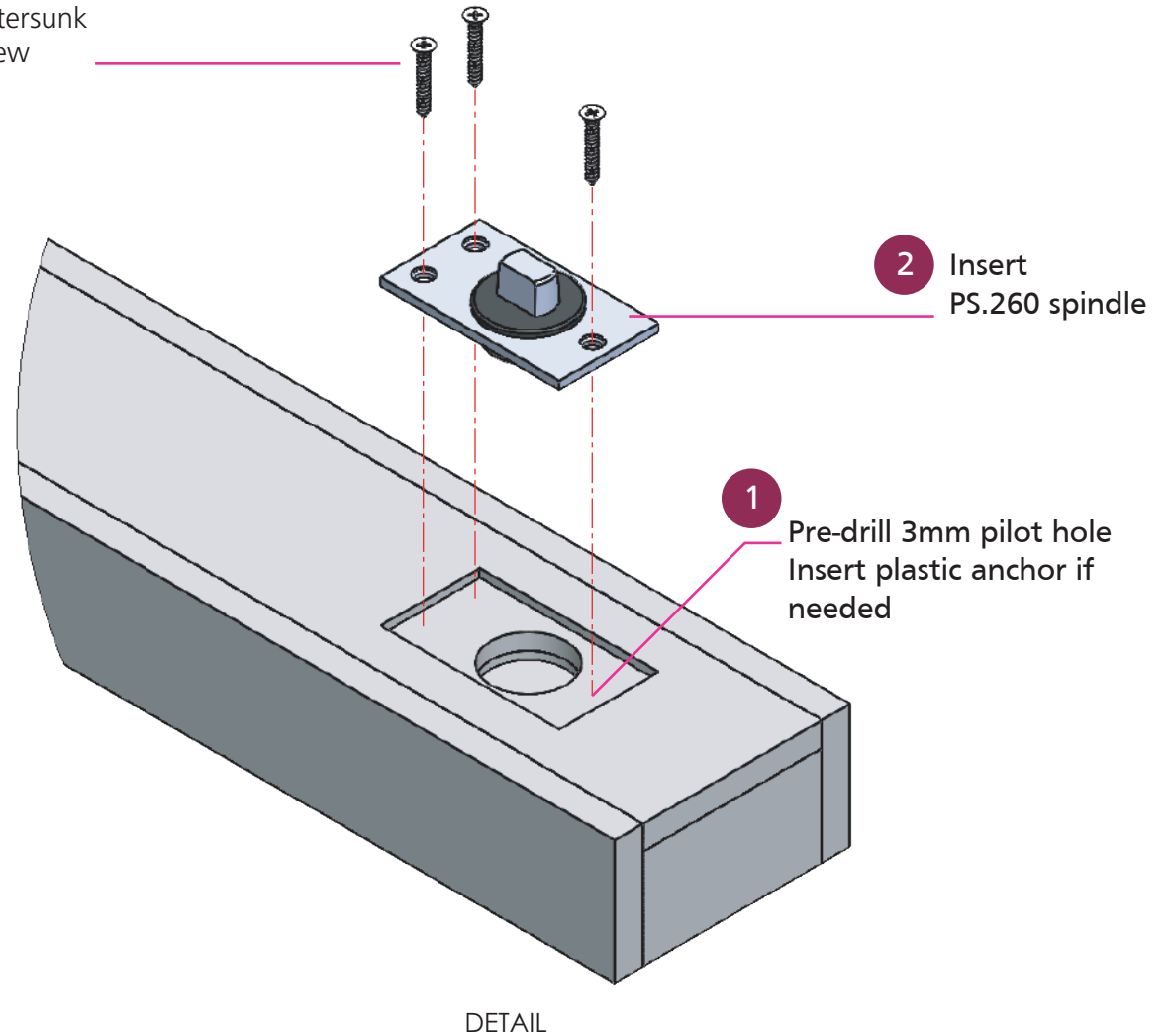


Fitting Instruction

Floor Mount Spindle / Frame Cill

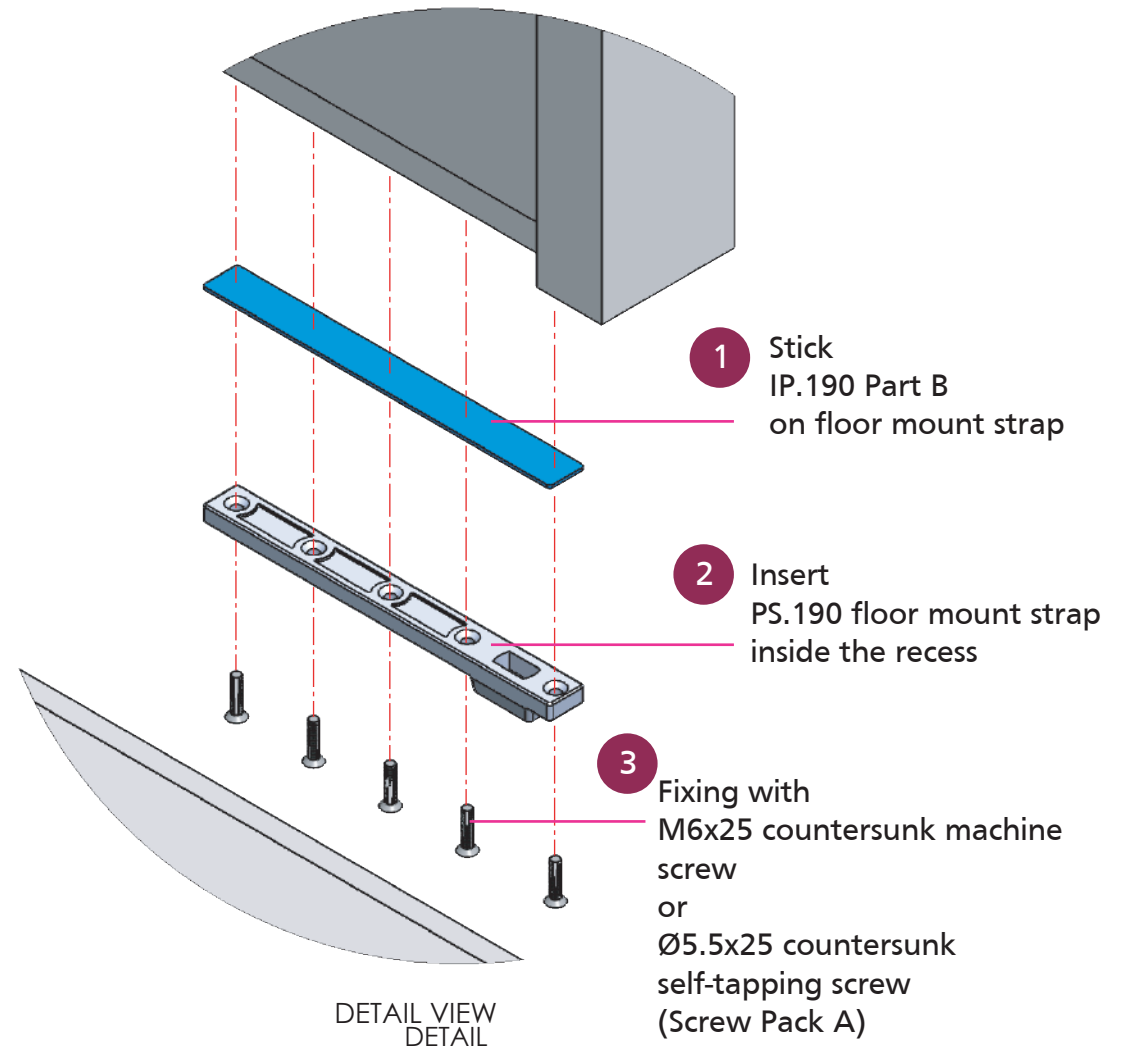
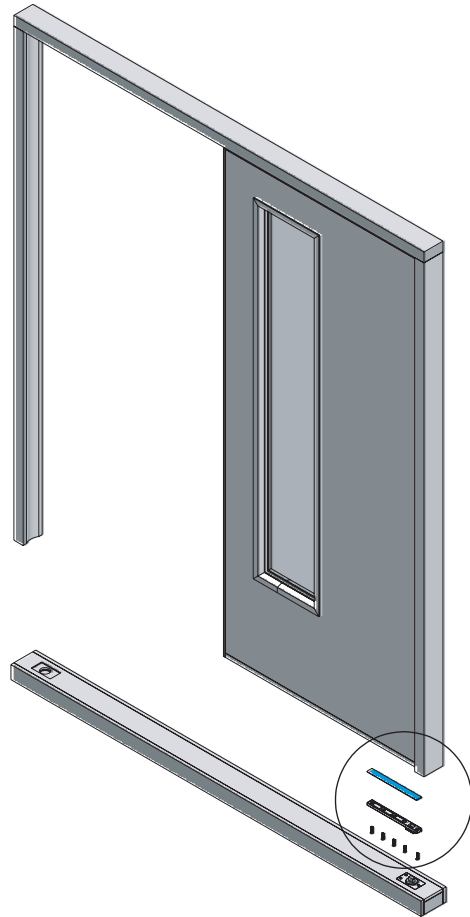


3 Fixing with
Ø4.8 x 32 countersunk
self-tapping screw



Fitting Instruction

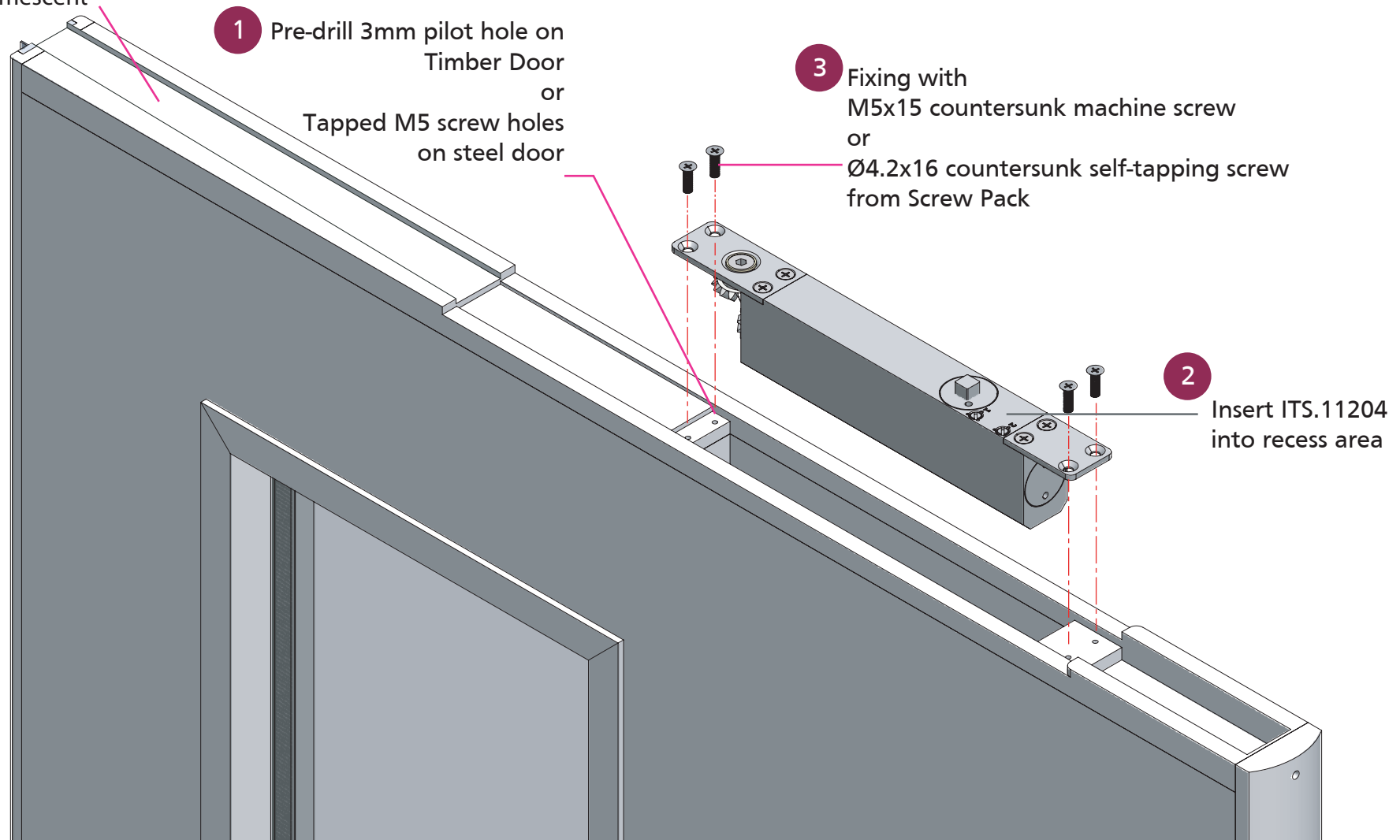
Floor mount strap / Leaf Bottom



Fitting Instruction

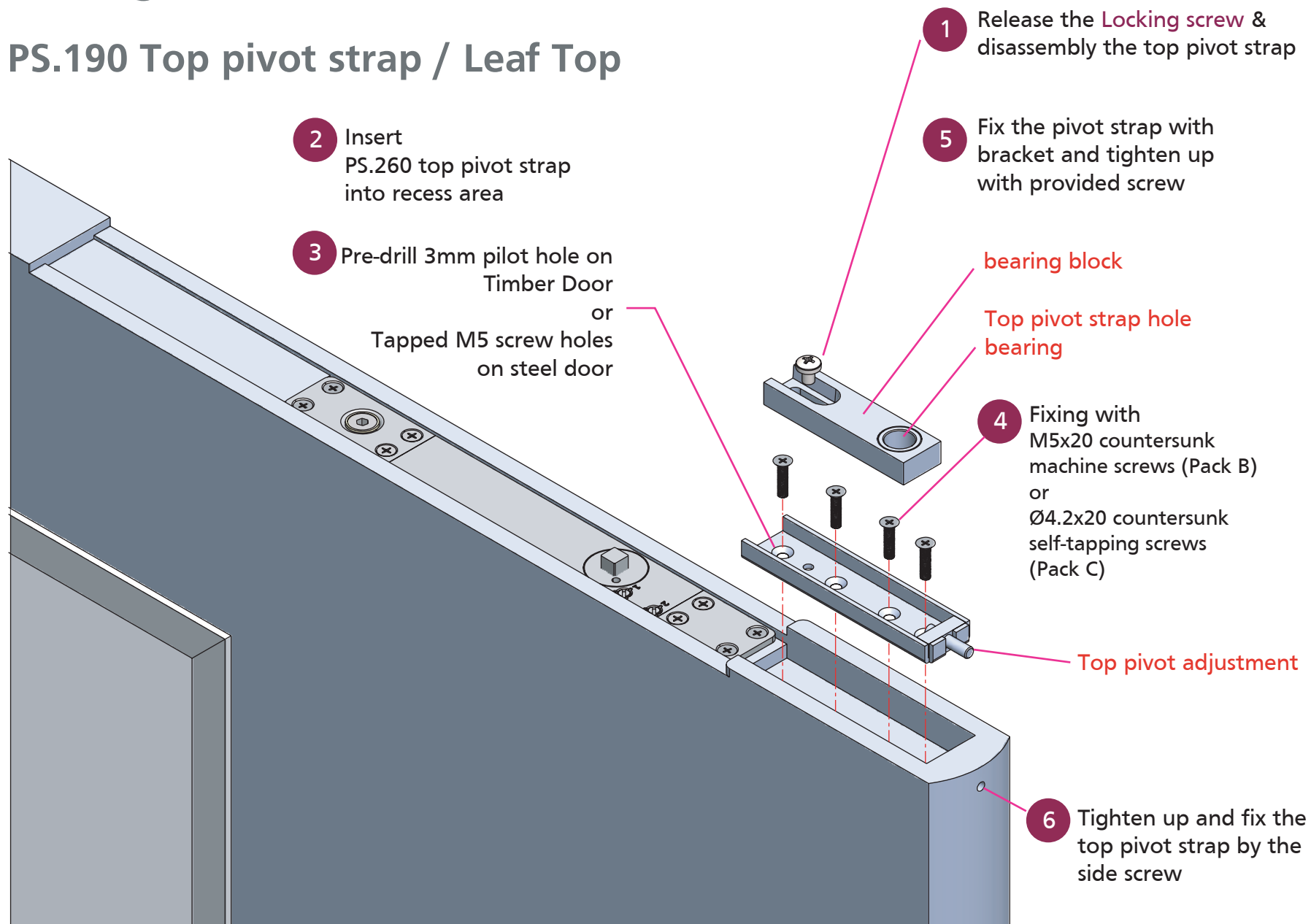
ITS.11204 Door Closer / Leaf Top

Grove for Smoke seal
and intumescent



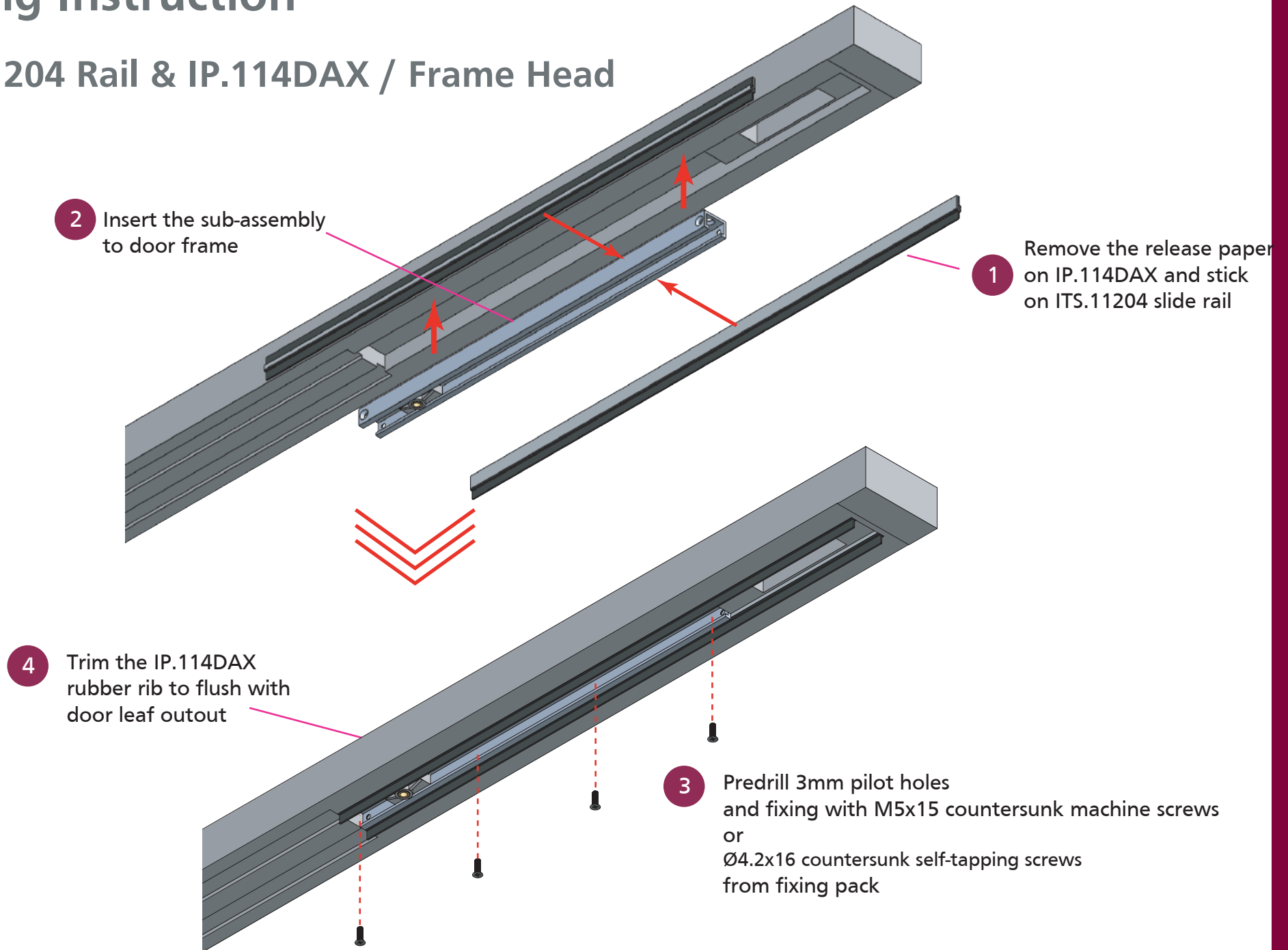
Fitting Instruction

PS.190 Top pivot strap / Leaf Top



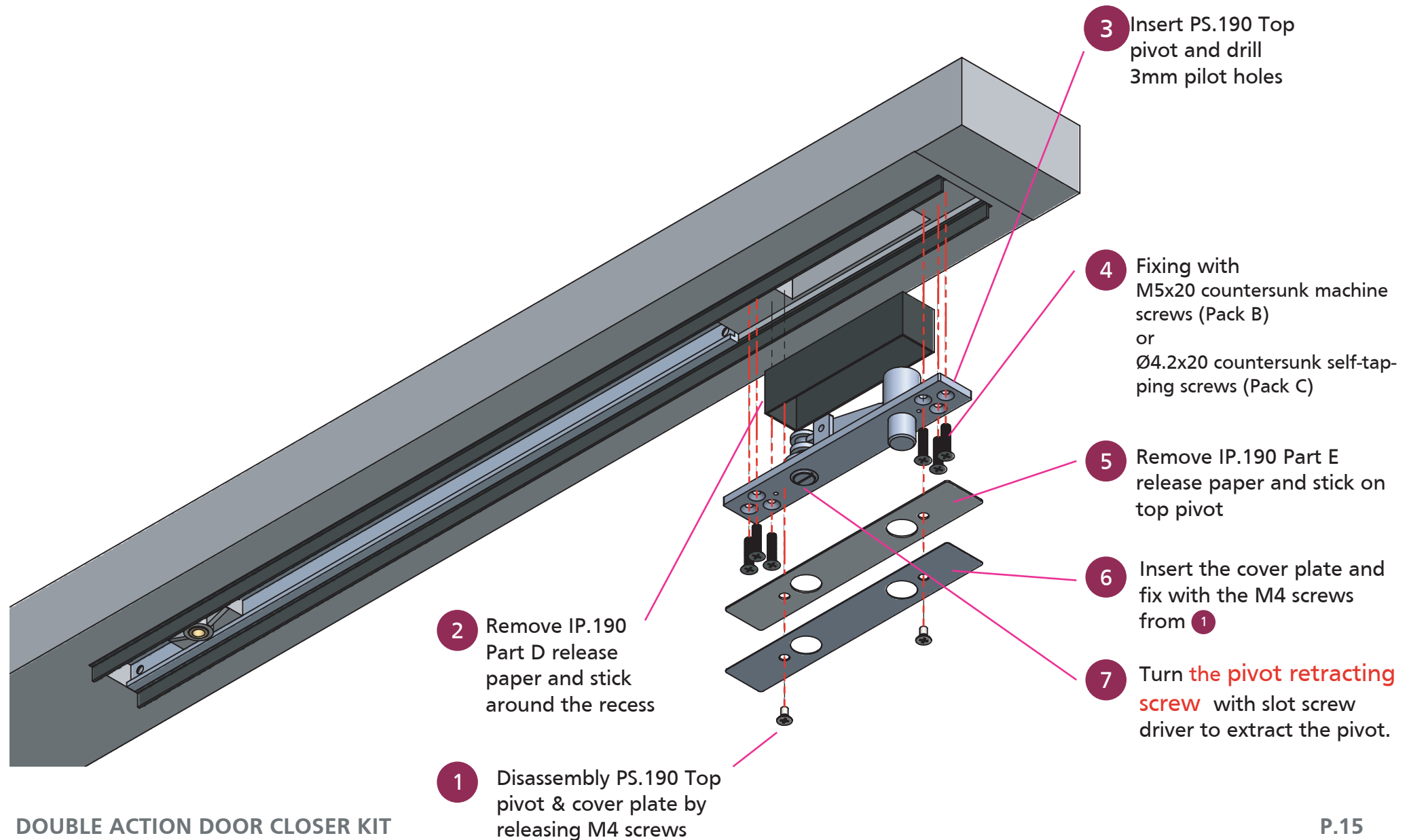
Fitting Instruction

ITS.11204 Rail & IP.114DAX / Frame Head



Fitting Instruction

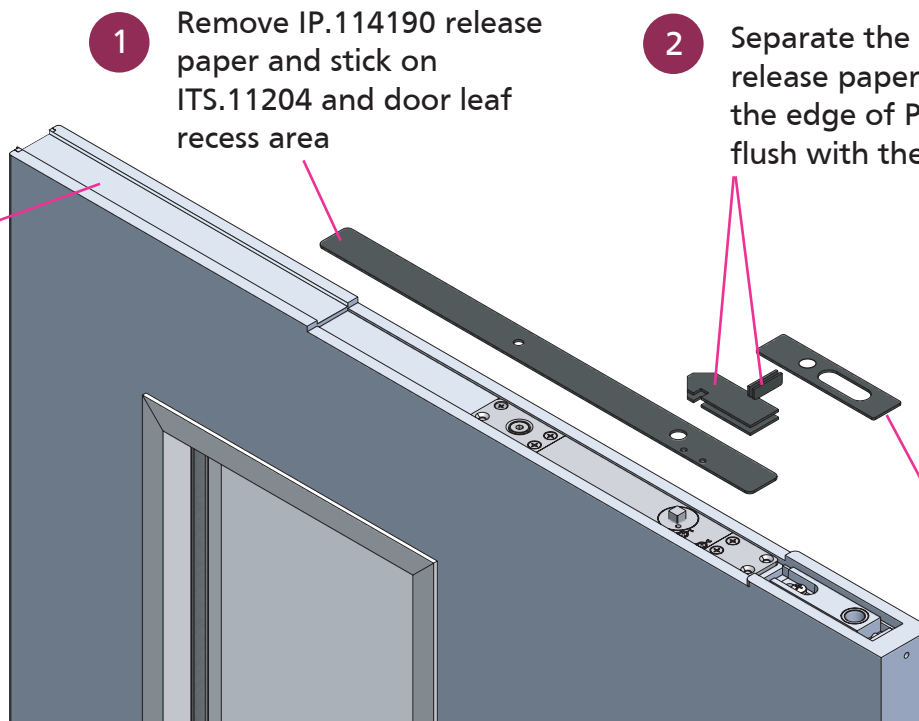
PS.190 Top Pivot / Frame Head



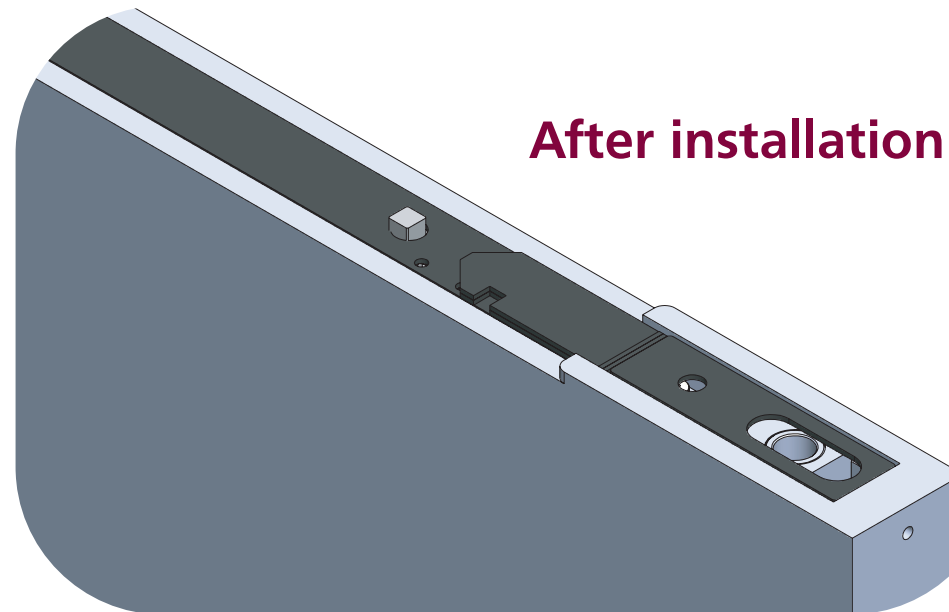
Fitting Instruction

IP.190 /Leaf Top

Grove for Smoke seal and intumescent



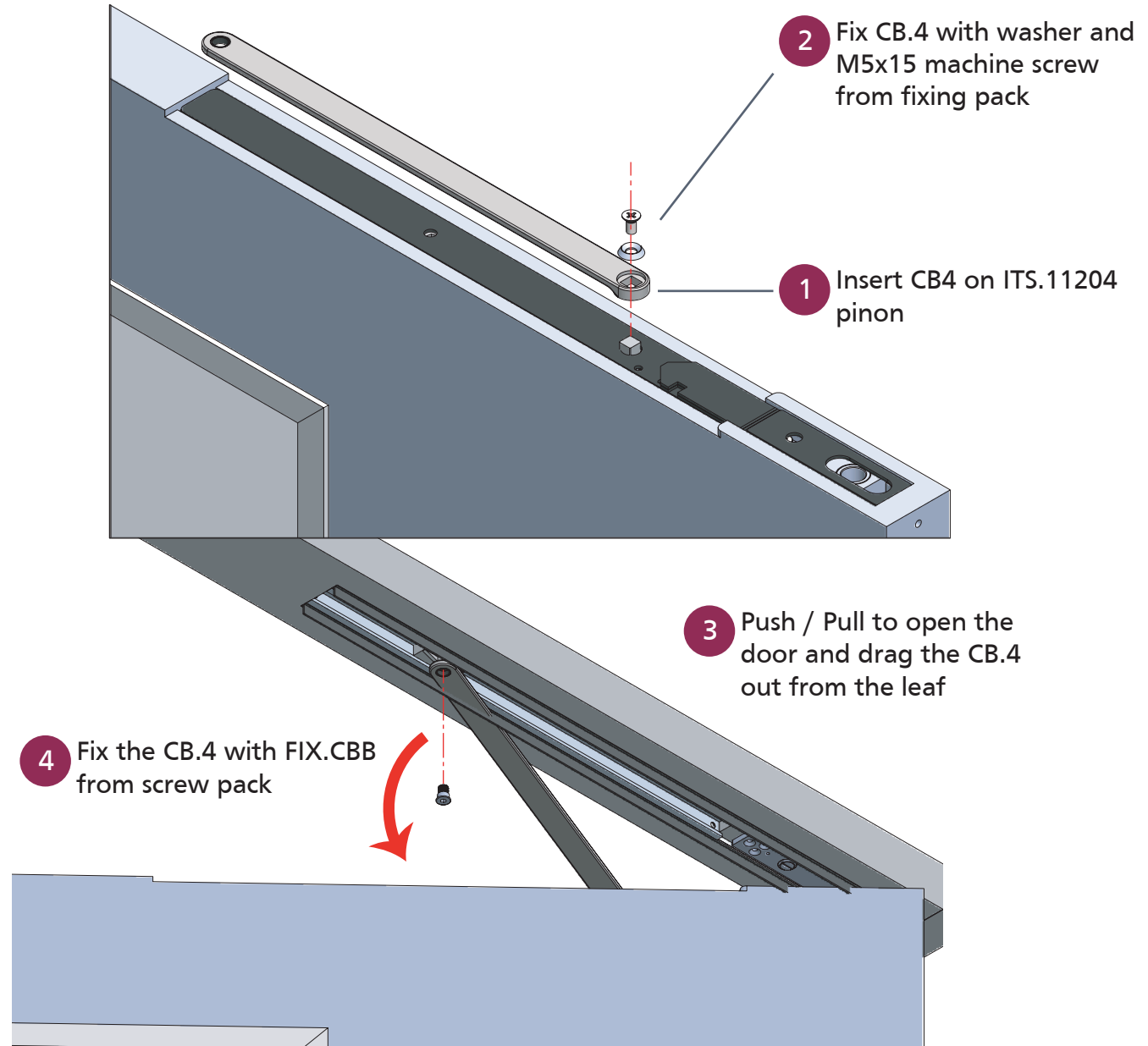
After installation



P.16

Fitting Instruction

CB.4 Connector Bar / Leaf Top



Fitting Instruction - Door Alignment

1. Fit PS.190 Top Pivot into Top Pivot Strap in head of door leaf
2. Slacken off the **Top Pivot Strap locking screw (P. 13)** screw
3. Now carefully lift the door leaf at 90 degrees to frame and locate bottom strap onto the PS.260 Floor Mount Spindle
4. Now offer up the door, still at 90 degrees to the frame, to meet head frame
5. The top Pivot Strap in the head of the leaf is now aligned with the retractable pivot in the head frame
6. With the door leaf at 90 degrees to frame will allow you access to the frame mounted **top pivot adjuster (P. 13)**.
7. Using a screw driver turn **the pivot retracting screw (P. 15)** until the retractable pin is fully engaged into **the top strap hole bearing (P.13)**.
8. Now set position of meeting stiles by tightening the **Top Pivot Strap locking screw (P. 13)** in the hinge edge of the door – this locks the strap into position and keeps the door level so you can achieve correct gaps at the frame and at meeting edge if double doors.
9. Now open the door to 90 degrees
10. Now fully retract the top pivot again
11. Lower the door to access the top pivot strap
12. Push the **bearing block** to lock against the **top pivot adjuster (P. 13)**
13. Now tighten **Top Pivot Strap locking screw (P. 13)**
14. Now offer the door back into position
15. Engage the retractable pin fully into **the top strap hole bearing (P.13)**

KEY & CAUTION

- A. Fit for purpose fixings – each floor type is different from concrete to timber and therefore professional independent advice should be taken from fixing suppliers to consider the building type, users, structural material, weights and all other considerations.
- B. Finger trapping caveat - recommend reviewing and adding a finger guard protection to final install

ITS.11204 Operations & Maintenance manual

Valve & Power Adjustment



Before adjusting any valves ensure the door and frame are fixed firmly and the door will close easily into the frame and latch.

- To increase the speed of a door turn the valve 1 (No.5) Anti-clockwise. If door closing too fast turn the valve 1 Clockwise to reduce the speed to a satisfactory movement.
- When the door is latching too fast adjust the valve 2 (No. 6) to the desired satisfactory action. Turn Clockwise to reduce the speed.
- If the latch is getting stuck, turn Valve 2 anti-clockwise to increase the speed but not too fast so that it slams.
- If more power is needed to overcome the latch or Intumescent seal you can increase the power by turning the power adjustment function (No. 7) with an allen key.
- If the door is too easy to open or affected by wind or air pressure, turn Clockwise to increase the power.
- If the door is stiff to open you can turn Anti-clockwise to decrease the power.

EN 2 - 4 Power Size

No of turns	EN Size	Max door width	Max weight	Max weight
-4	2 ^A	850mm	120°	45
0*	3	950mm	120°	60
+6	4	1100mm	120°	80

*FACTORY PRE-SET
A - EN2 NOT SUITABLE FOR FIRE DOOR

IMPORTANT NOTES:
THE PINION BOLT MUST BE TIGHTENED TO 12Nm.

A MECHANICAL DOOR CLOSER IS NOT DESIGNED TO OVERCOME POOR FITTING, EXCESSIVE AIR PRESSURES OR BINDING SMOKE AND WEATHER SEALS. EXCESSIVE AIR PRESSURES CAN BE CREATED BY THROUGH DRAFT, BY AIR CONDITIONING, BY SMALL ROOMS WITHOUT VENTILATION, OR WHERE NO AIR TRANSFERS GRILLS ARE FITTED. MECHANICAL DOOR CLOSERS ARE DESIGNED TO CLOSE THE STATED AND TESTED SPECIFICATION OF DOOR WEIGHT AND DOORSETS/DOOR ASSEMBLIES WHEN DOORS ARE FITTED WITH CORRECT GAPS AND NOT BINDING ON SEALS. IF YOU ENCOUNTER PROBLEMS WITH DOORS NOT CLOSING PLEASE WATCH OUR "6 WAYS TO TROUBLESHOOT A DOOR CLOSER" VIDEO ONLINE. WHERE DOORS ARE NOT CLOSING DUE TO AIR PRESSURES THEN PROFESSIONAL ADVICE FROM AN AUTHORISED INSTALLER IS RECOMMENDED TO FIT TESTED AND THIRD PARTY CERTIFIED AIR TRANSFER GRILLS AND/OR AUTOMATIC DOOR OPERATORS.

NOTE: BC VALVES ARE DESIGNED TO ASSIST BACK-CHECK AND DO NOT REPLACE THE REQUIREMENT FOR CORRECTLY FITTED DOORSTOPS OR SAFETY BARRIERS.

FURTHER WARRANTY INFORMATION: <https://www.rutlanduk.co.uk/rutland-warranty>

Useful Videos

Scan the qr codes to view the latest helpful videos



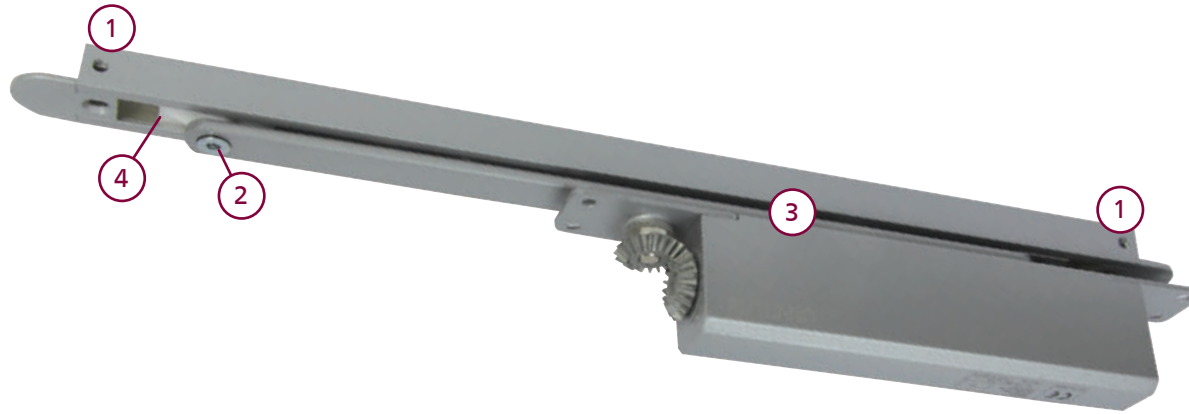
Door closer valves



6 ways to trouble shoot a Door Closer

ITS.11204 Operations & Maintenance manual

Maintenance



Step 1 Check that screws are tight (No.1 & No.2), and tighten if needed, at least every 6 months.

Step 2 Tighten pinion screw (No. 3) to 12nm, at least every 6 months

Step 3 Lubricate all moving parts, except the sliding shuttle (No.4) , at least every 6 months.

*For high usage closers, this steps will need to be carried out more often than every 6 months.

Any unusual sounds or visual defects should be addressed immediately

Notes

A large area of the page is filled with a grid of small, evenly spaced dots, intended for handwritten notes.

Notes

A large area of the page is filled with a grid of small dots, intended for handwritten notes.

Notes

A large area of the page is filled with a grid of small, evenly spaced dots, intended for handwritten notes.

Notes

A large area of the page is filled with a grid of small dots, intended for handwritten notes.

Enhancing **compliance** and **performance** at every door

Through our expert advice and support, we provide the peace of mind that full compliance is achieved and that life safety is assured.



Head Office:

Rutland Trading Co Ltd.
Unit 4, Holmewood Business Park
Chesterfield Road, Holmewood
Chesterfield, S42 5US

Contact us:

+44 (0)1246 261491
sales@rutlanduk.co.uk
rutlanduk.co.uk